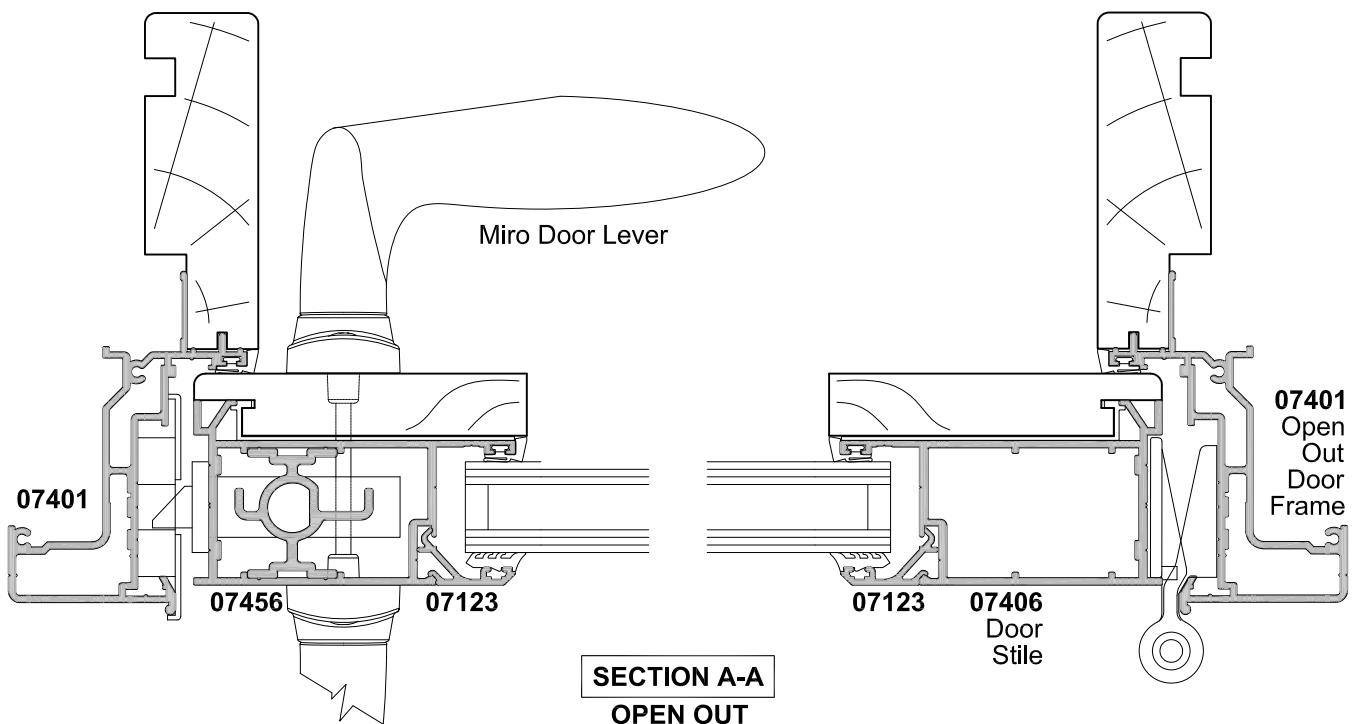
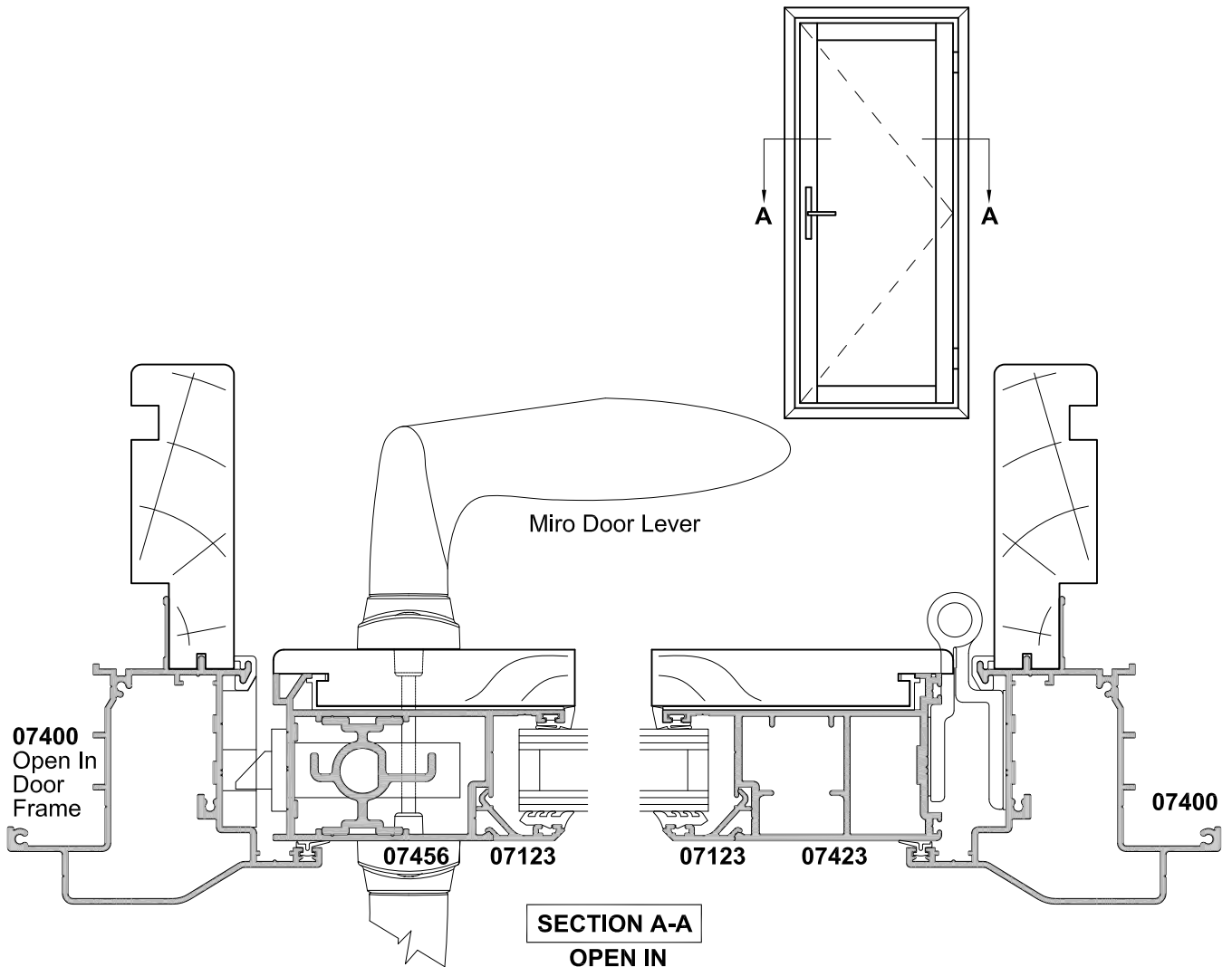




HINGED DOOR, OPEN IN AND OPEN OUT CROSS SECTION

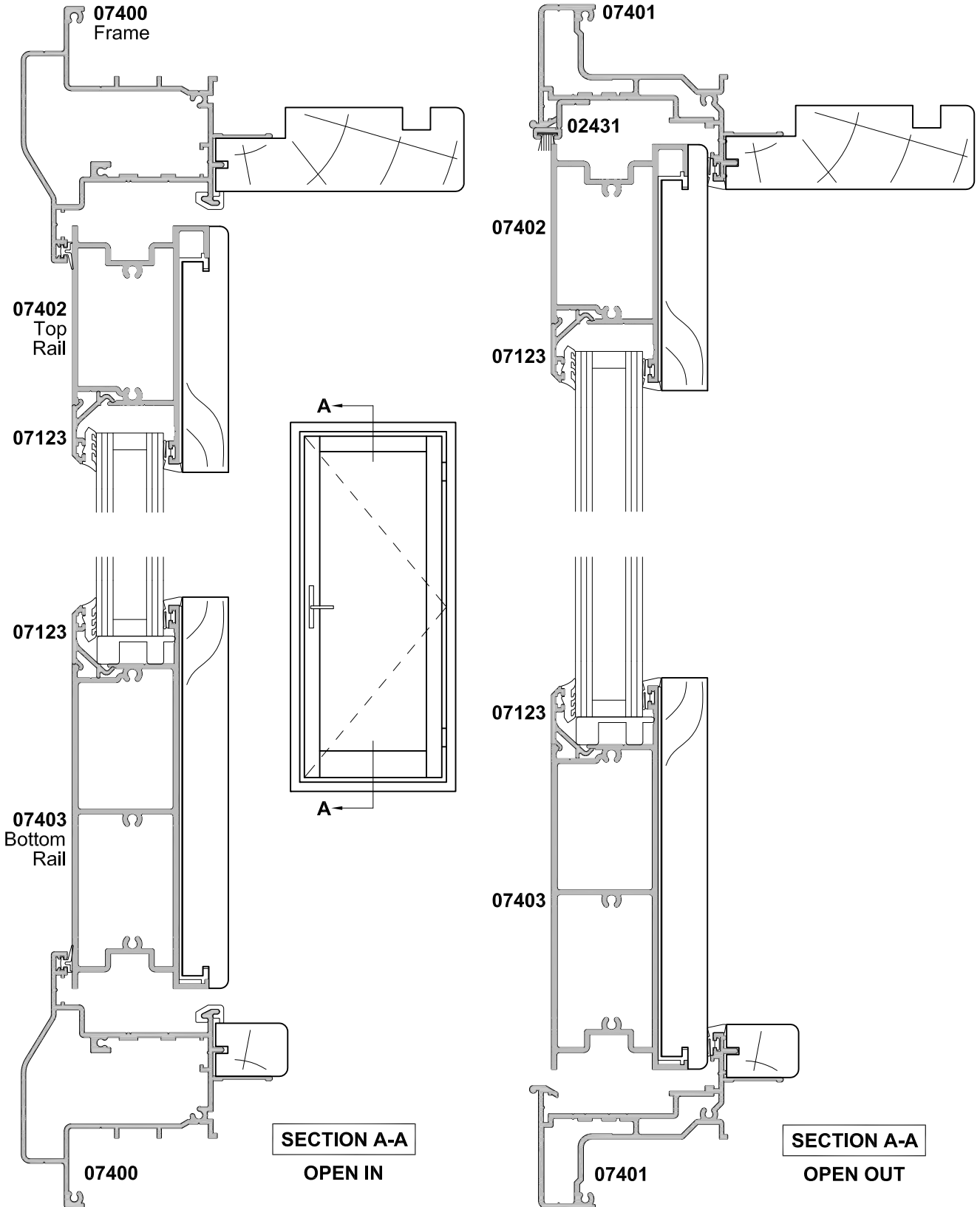
Cad Ref. SHD02-0 Scale 1:2 Date 01.06.11





HINGED DOOR, OPEN IN AND OPEN OUT CROSS SECTION

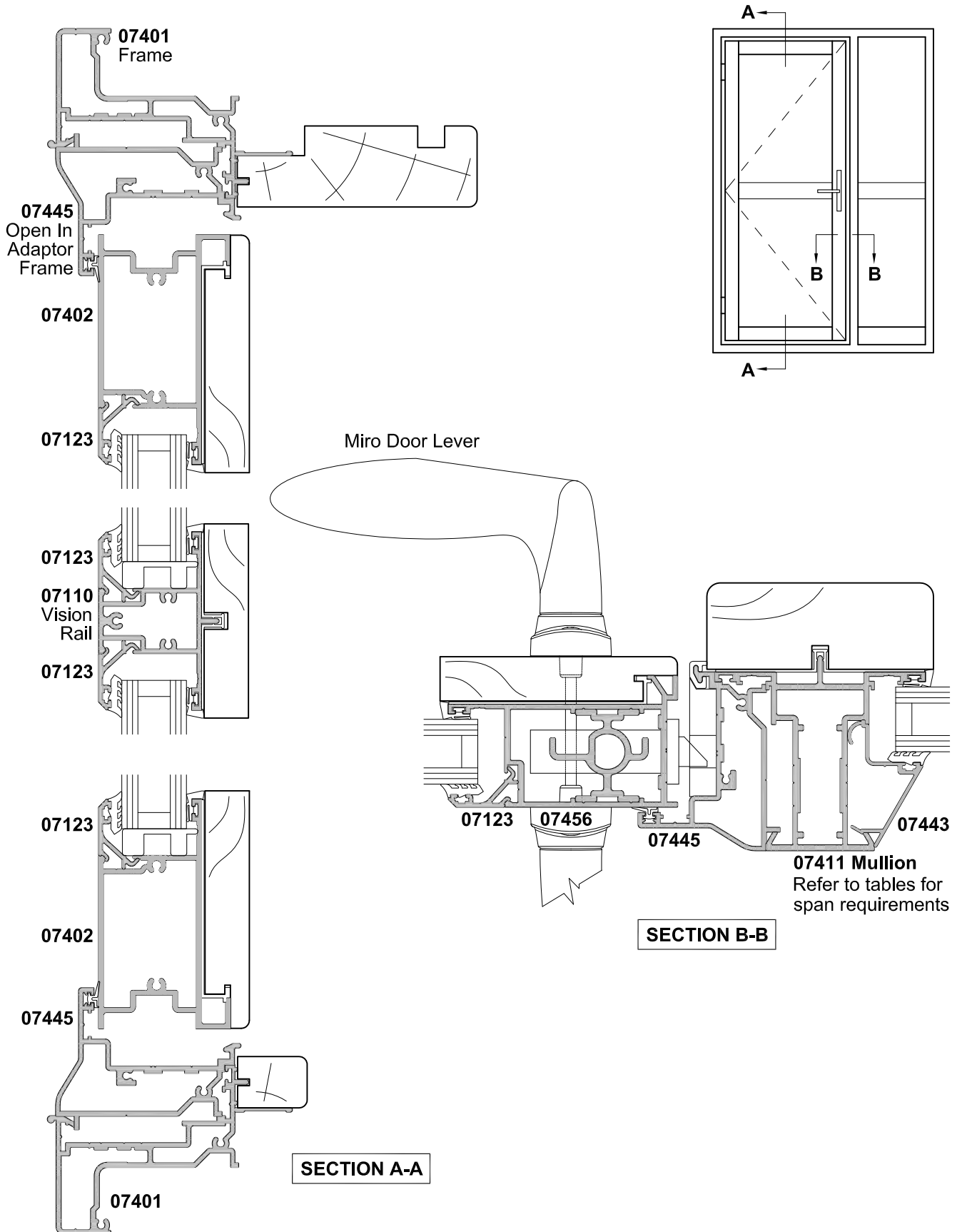
Cad Ref. SHD03-0 Scale 1:2 Date 01.06.11





HINGED DOOR WITH OPEN IN ADAPTOR, SIDELIGHT AND VISION RAIL - CROSS SECTION

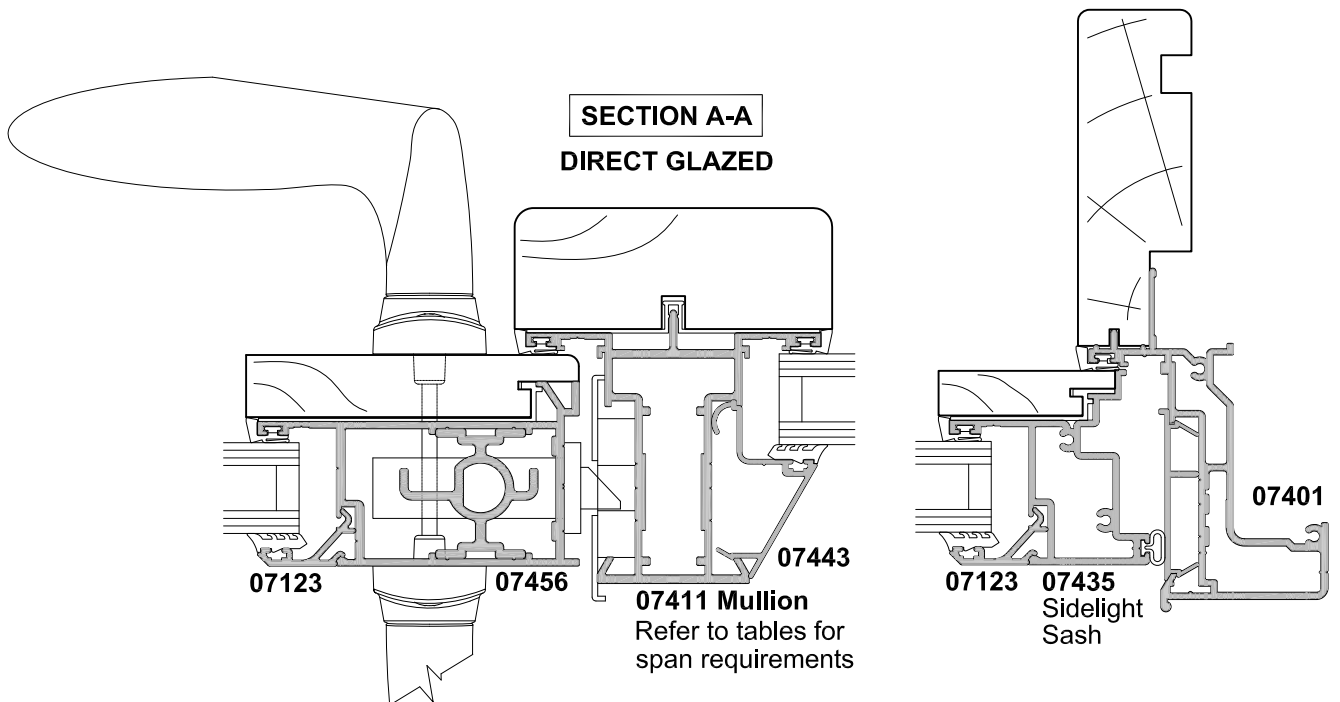
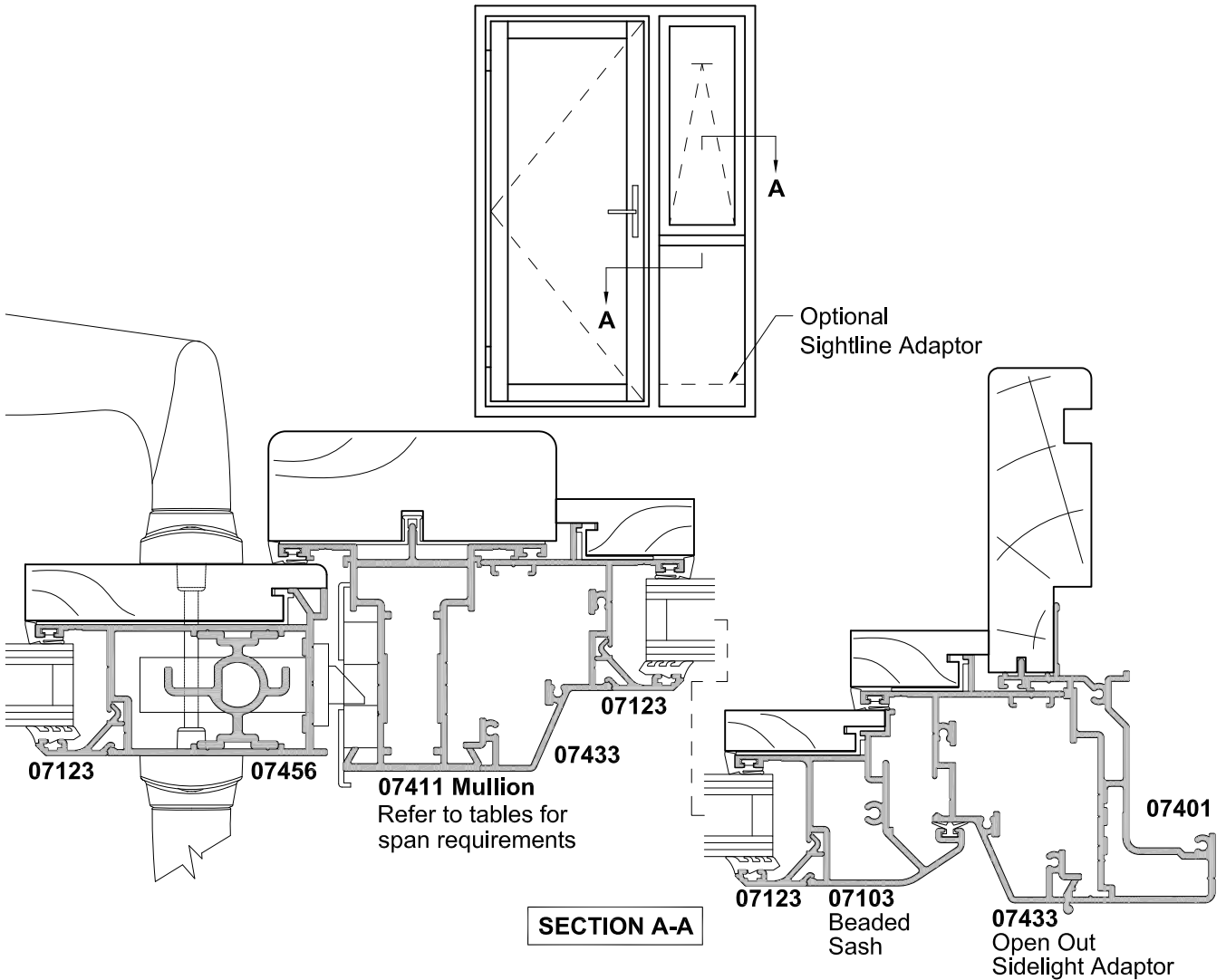
Cad Ref. SHD04-0 Scale 1:2 Date 01.06.11





HINGED DOOR, OPEN OUT WITH SIDELIGHT ADAPTOR AND SASH - CROSS SECTION

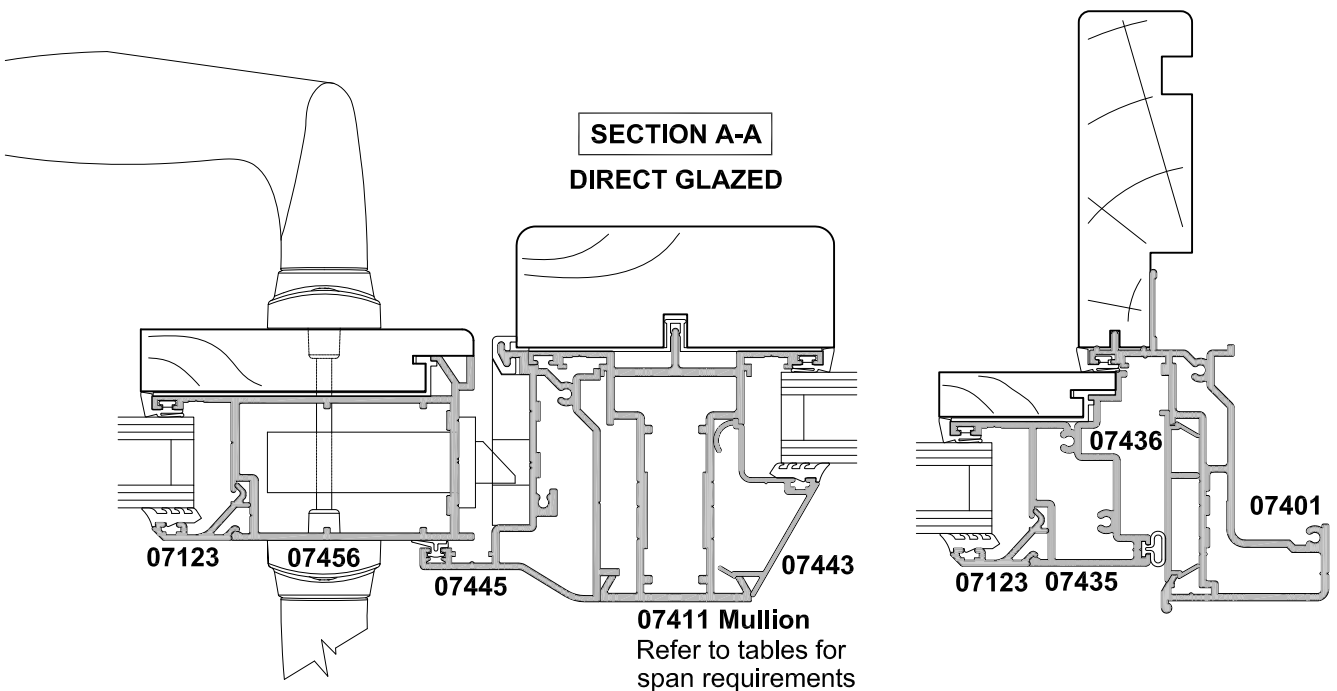
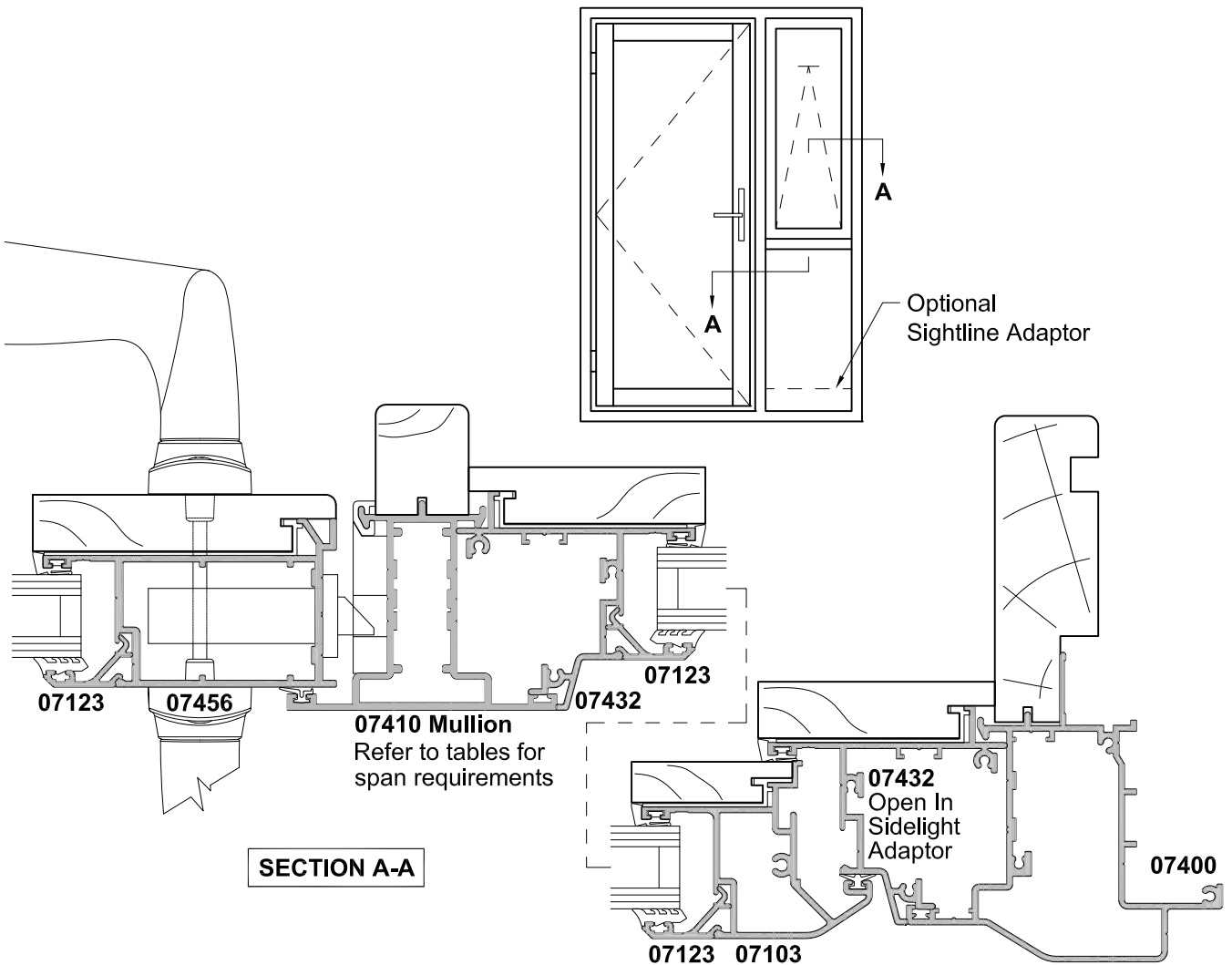
Cad Ref. SHD05-0 Scale 1:2 Date 01.06.11





HINGED DOOR, OPEN IN WITH SIDELIGHT ADAPTOR AND SASH - CROSS SECTION

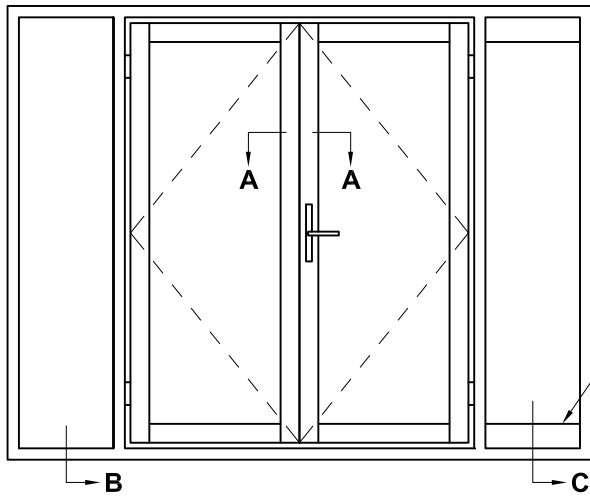
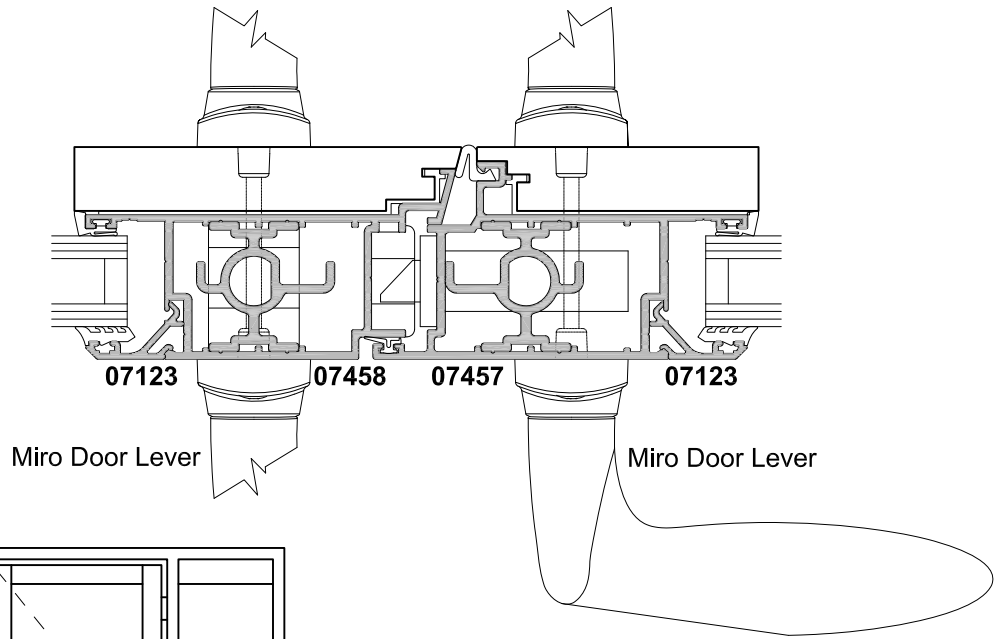
Cad Ref. SHD06-0 Scale 1:2 Date 01.06.11



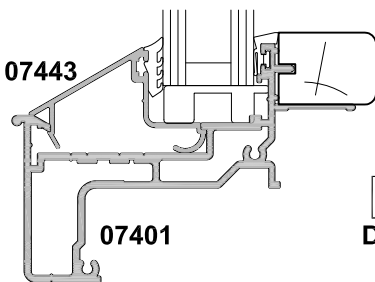


FRENCH DOOR CROSS SECTION

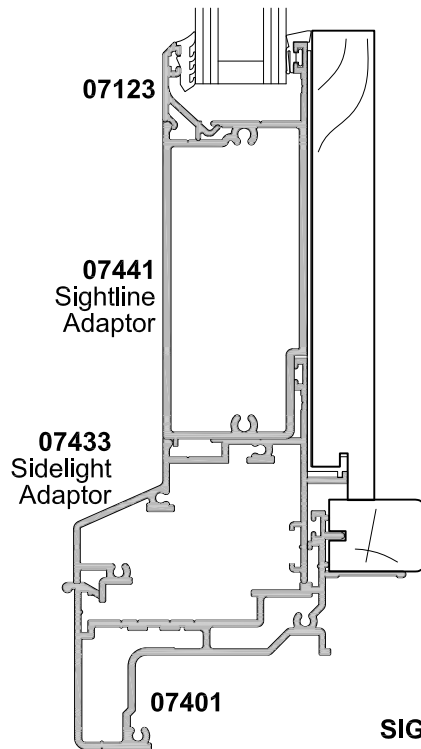
Cad Ref. SHD07-0 Scale 1:2 Date 01.06.11



Optional
Sightline Adaptor



SECTION B-B
DIRECT GLAZED



SECTION C-C
**OPTIONAL
SIGHTLINE ADAPTOR**