

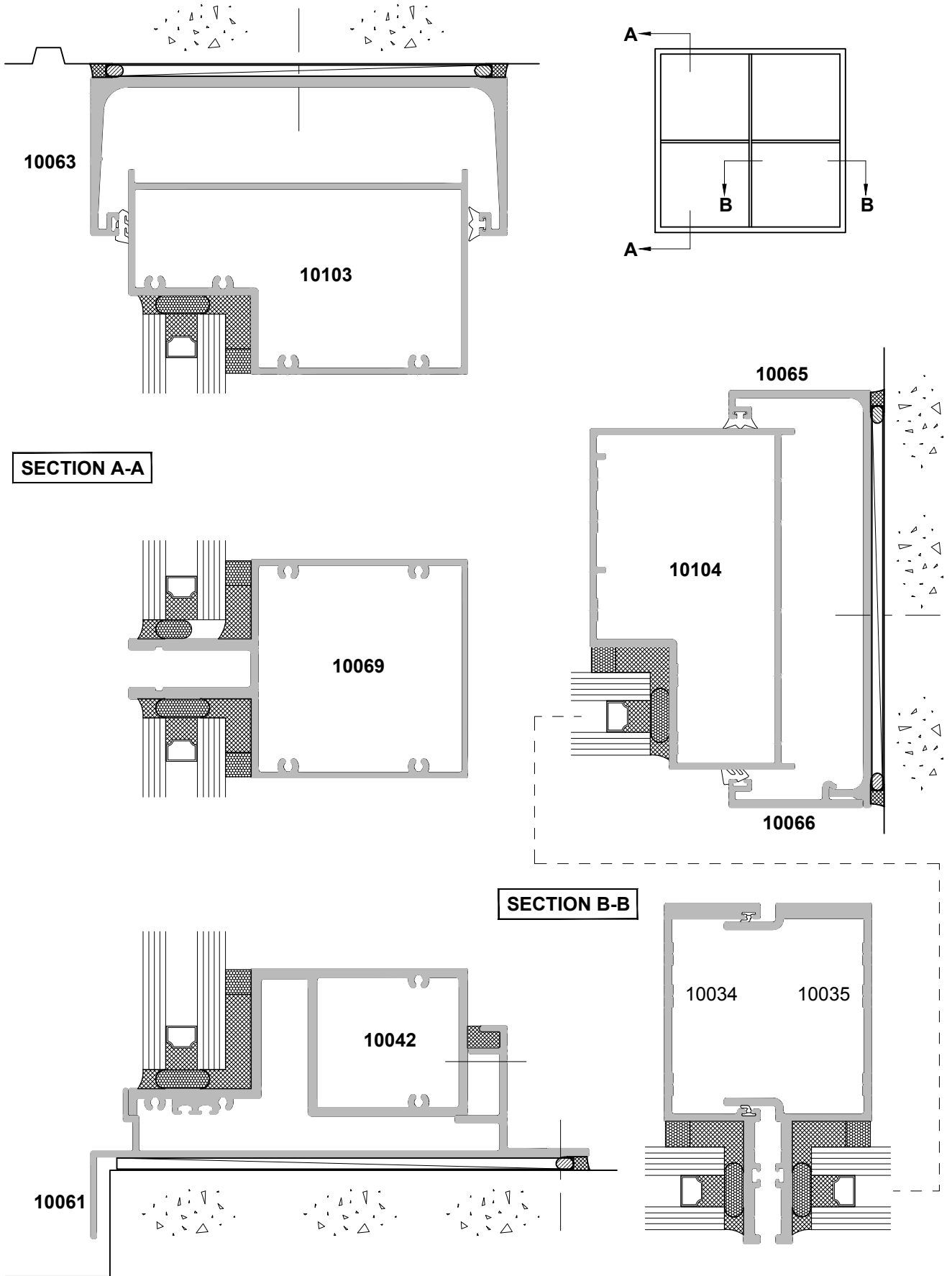


**125MM STRUCTURAL GLAZED SYSTEM  
DOUBLE GLAZED, SEISMIC SYSTEM  
CROSS SECTION**

CAD REF. VCSG01-0

DATE  
01.04.17

SCALE  
1:2



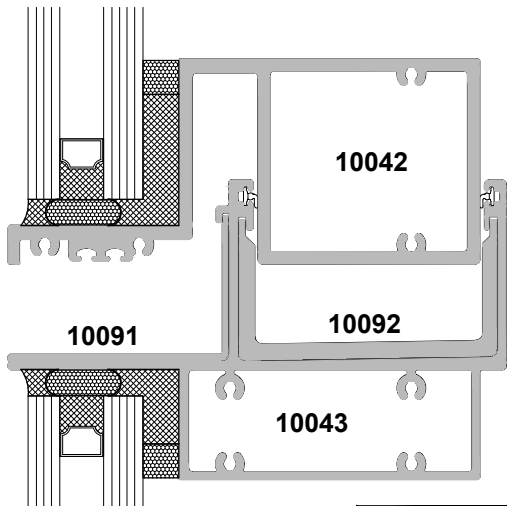


**125MM STRUCTURAL GLAZED SYSTEM**  
**DOUBLE GLAZED, SEISMIC SYSTEM**  
CROSS SECTION

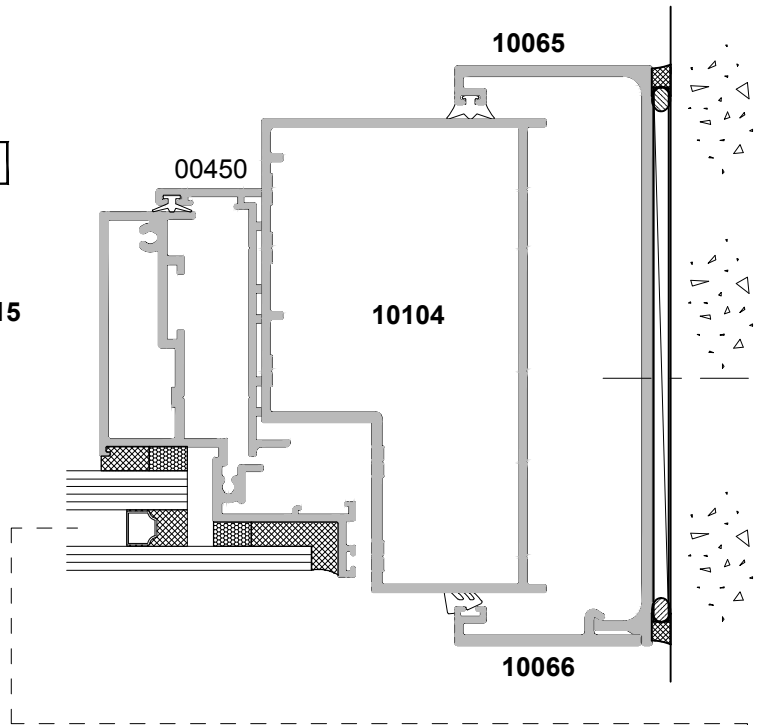
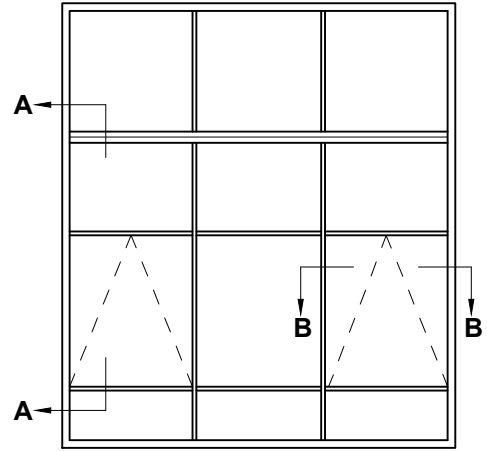
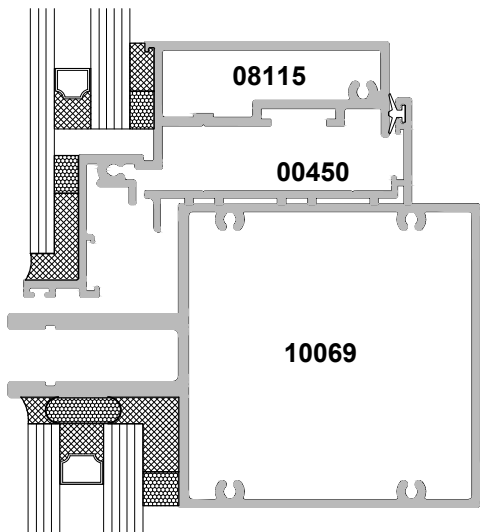
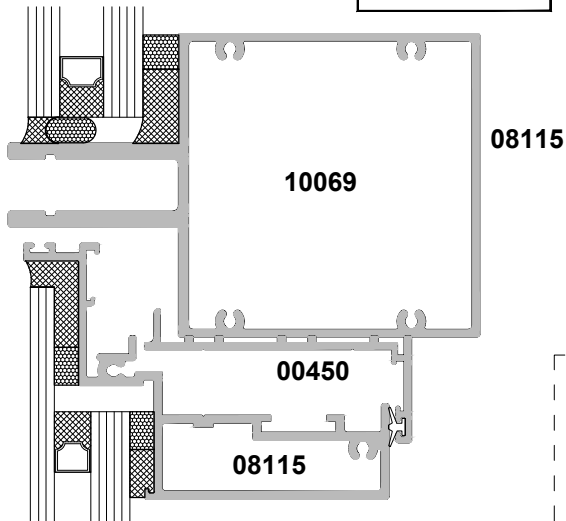
CAD REF. VCSG02-0

DATE  
01.04.17

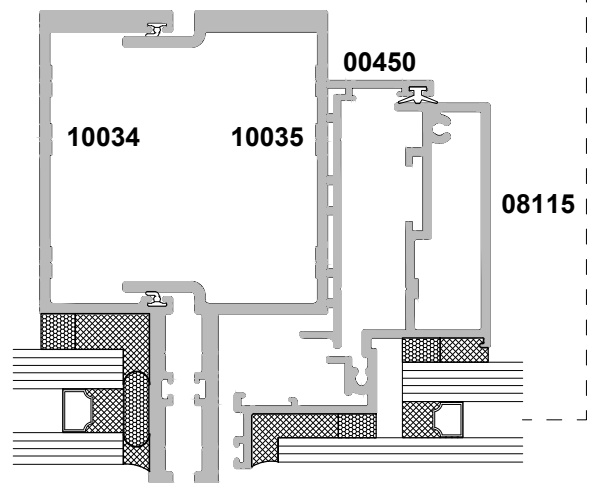
SCALE  
1:2



**SECTION A-A**



**SECTION B-B**



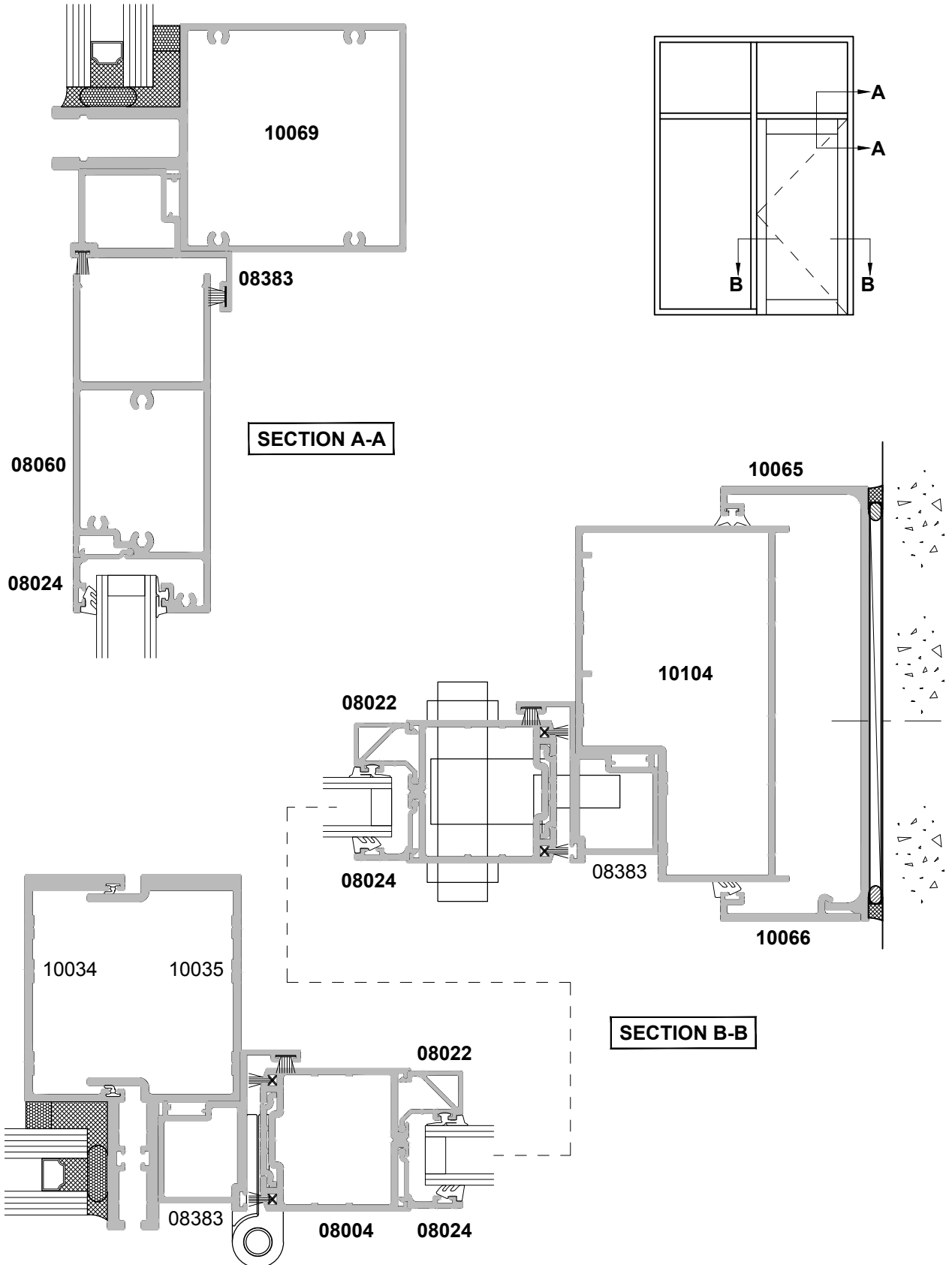


**125MM STRUCTURAL GLAZED SYSTEM  
DOUBLE GLAZED, SEISMIC SYSTEM  
CROSS SECTION**

CAD REF. VCSG03-0

DATE  
01.04.17

SCALE  
1:2





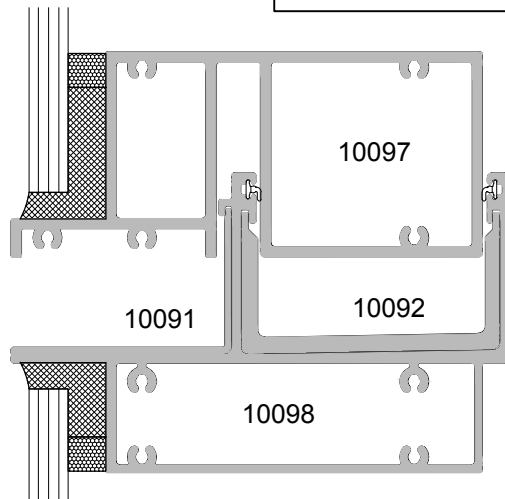
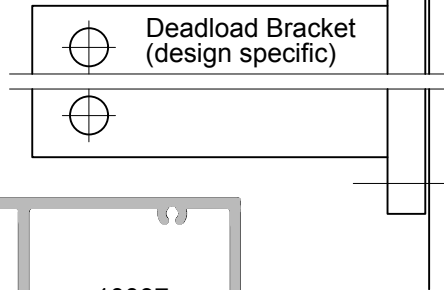
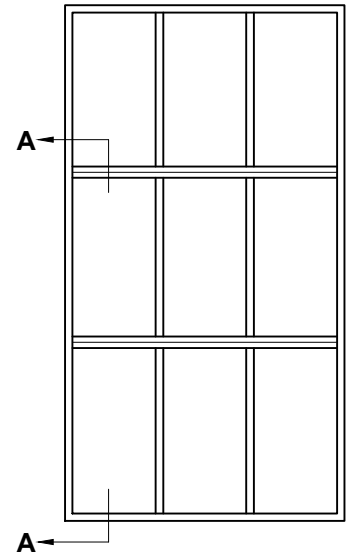
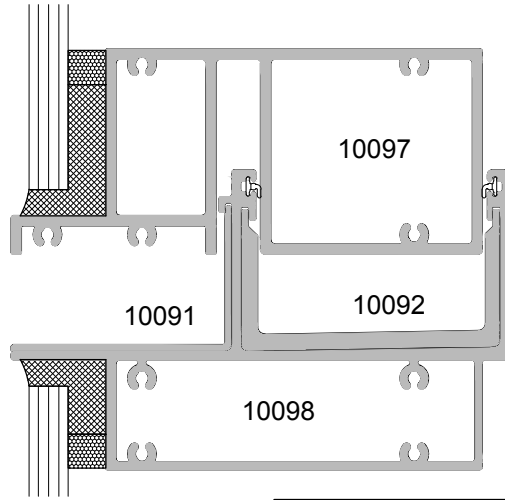


**125MM STRUCTURAL GLAZED SYSTEM**  
**SINGLE GLAZED, SEISMIC SYSTEM**  
CROSS SECTION

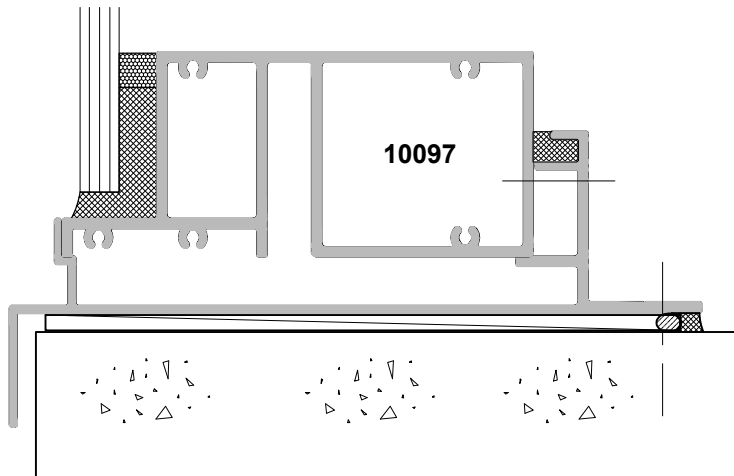
CAD REF. VCSG05-0

DATE  
01.04.17

SCALE  
1:2



**SECTION A-A**



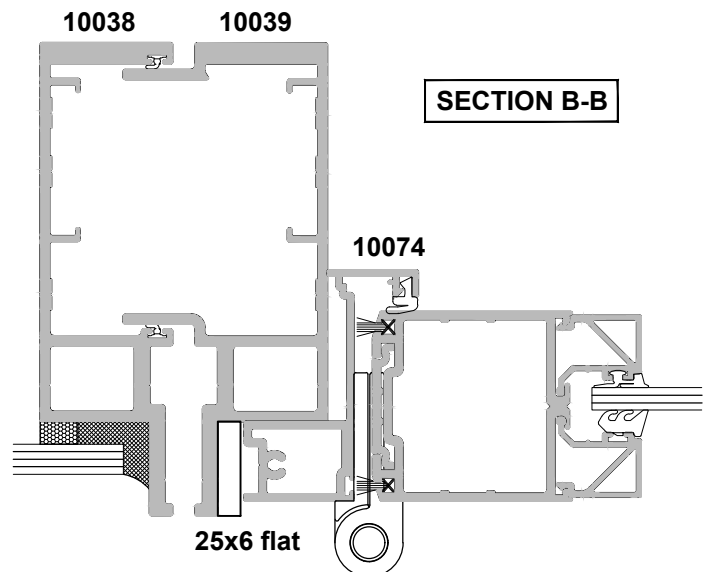
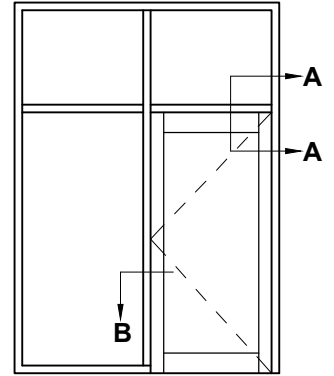
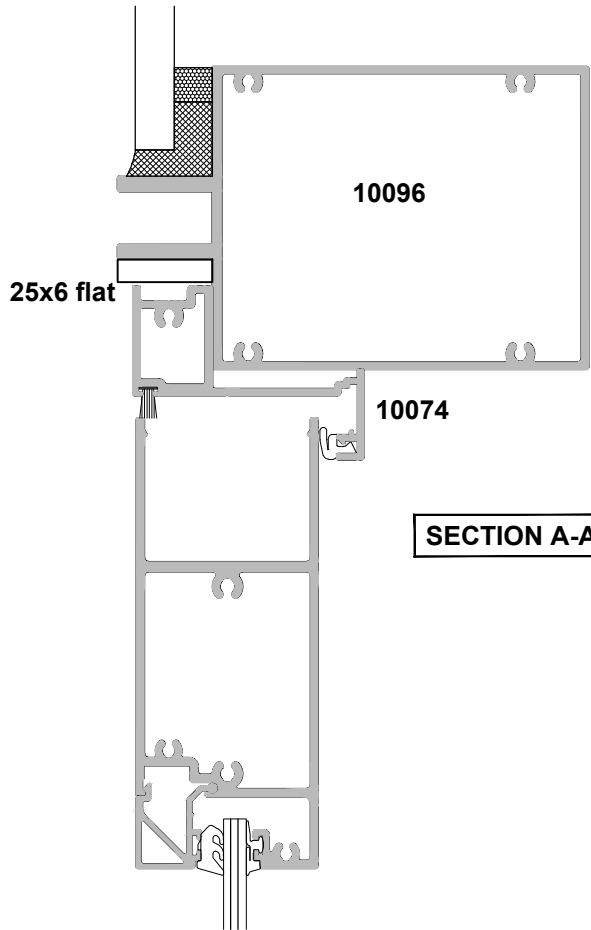


**150MM STRUCTURAL GLAZED SYSTEM  
SINGLE GLAZED, HINGED DOOR  
CROSS SECTION**

CAD REF. VCSG06-0

DATE  
01.04.17

SCALE  
1:2



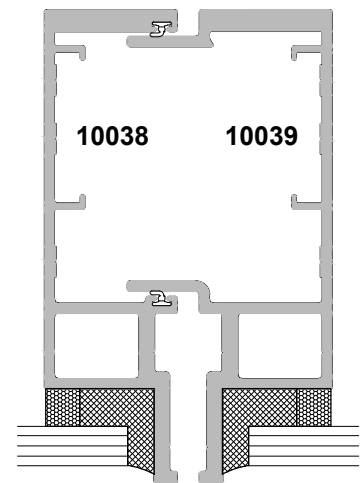
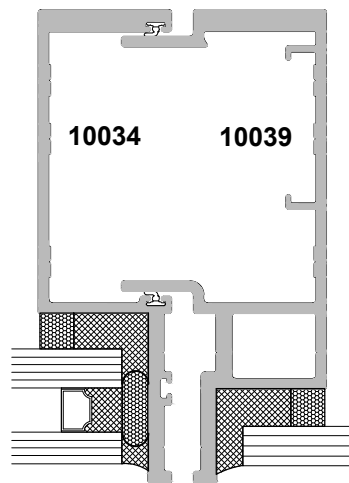
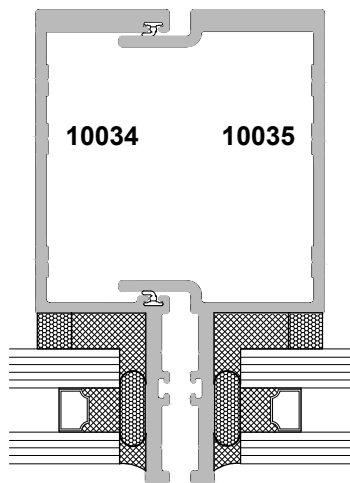


**125MM STRUCTURAL GLAZED SYSTEM  
GLAZING OPTIONS  
CROSS SECTION**

CAD REF. VCSG07-0

DATE  
01.04.17

SCALE  
1:3



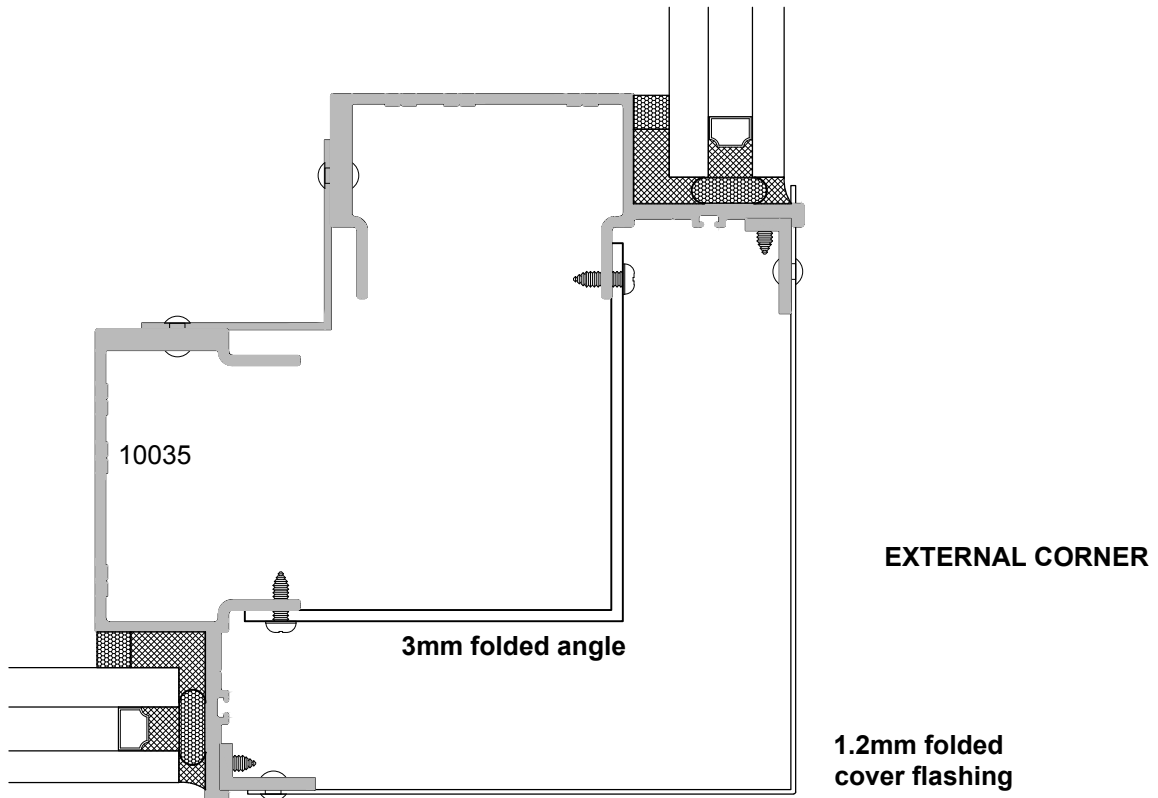
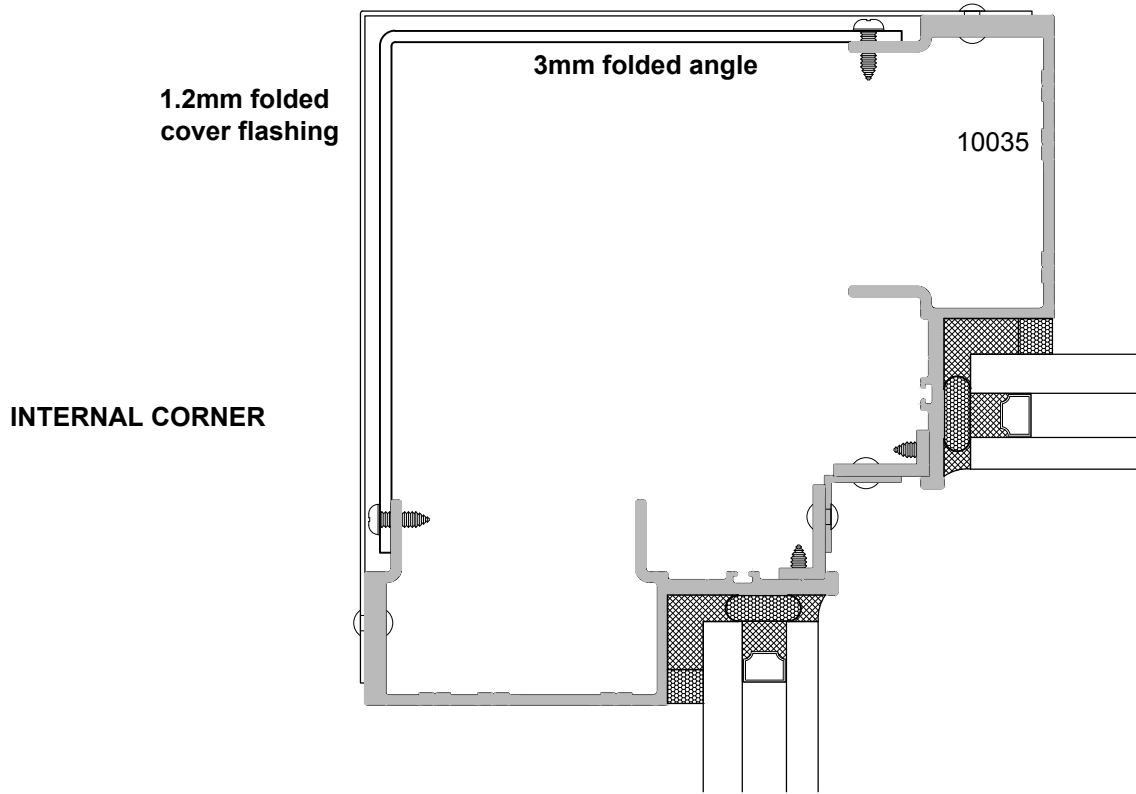


**125MM STRUCTURAL GLAZED SYSTEM  
DOUBLE GLAZED 90° CORNER MULLIONS  
CROSS SECTION**

CAD REF. VCSG08-0

DATE  
01.04.17

SCALE  
1:2





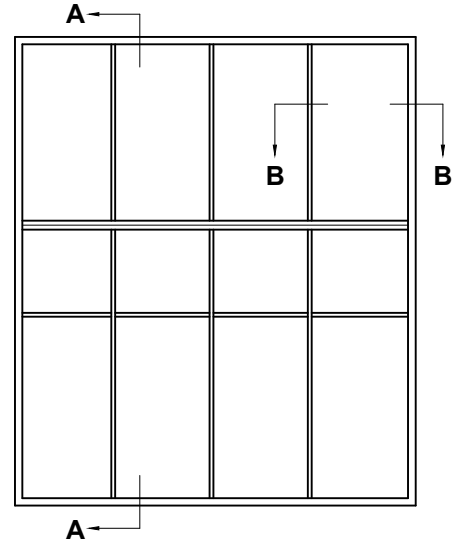
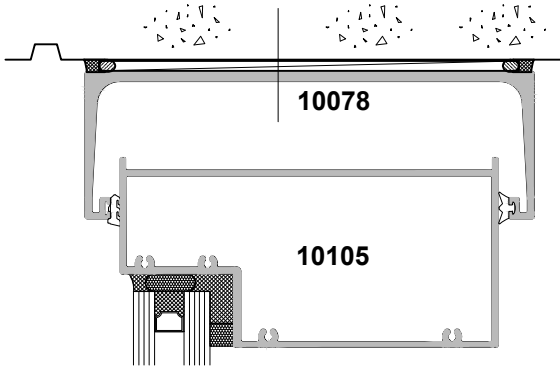


**150MM STRUCTURAL GLAZED SYSTEM  
DOUBLE GLAZED, SEISMIC SYSTEM  
CROSS SECTION**

CAD REF. VCSG10-0

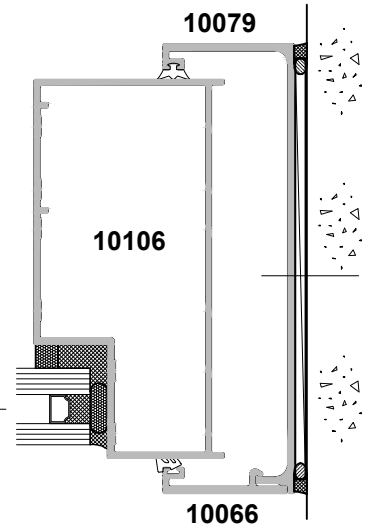
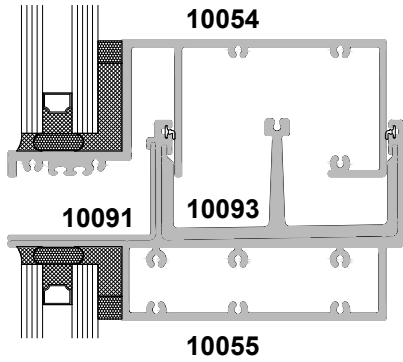
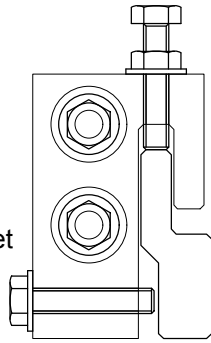
DATE  
01.04.17

SCALE  
1:3

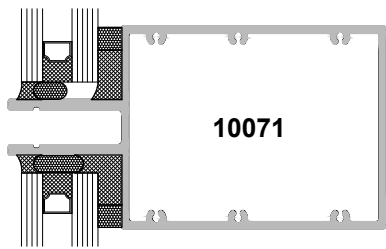


**SECTION A-A**

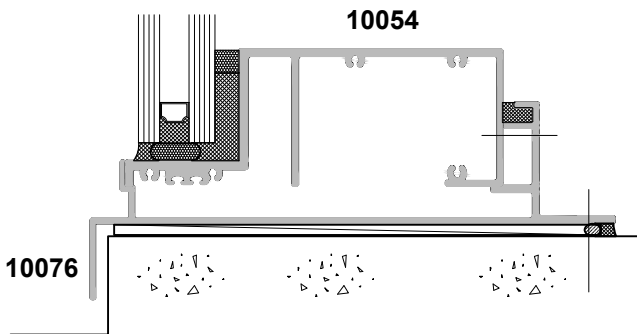
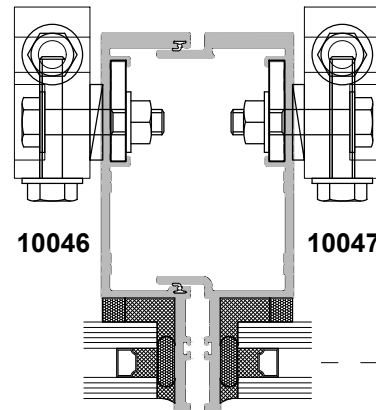
Deadload Bracket  
(design specific)



**SECTION B-B**



Deadload Bracket  
(design specific)



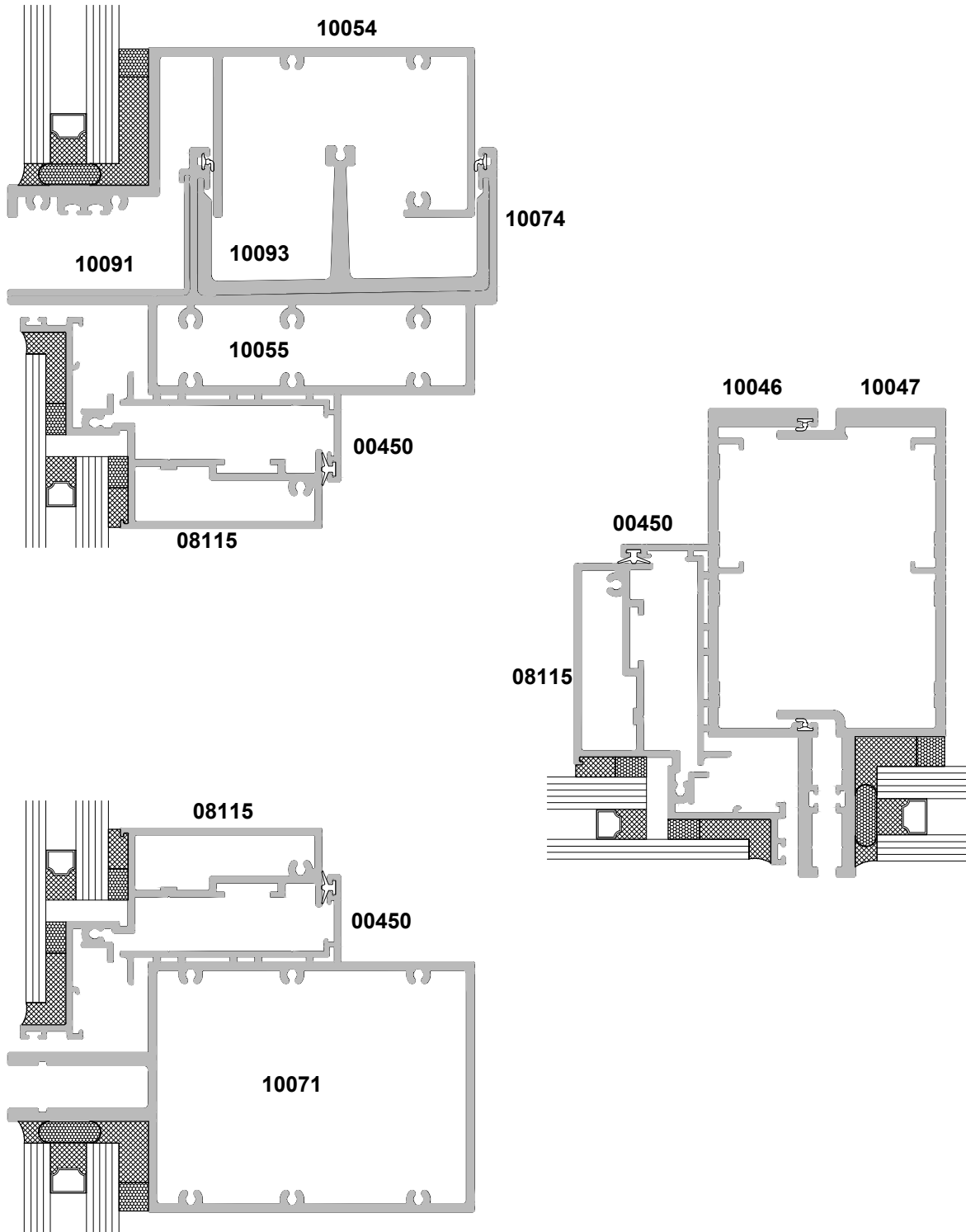


**150MM STRUCTURAL GLAZED SYSTEM  
DOUBLE GLAZED, SASH ADAPTOR  
CROSS SECTION**

CAD REF. VCSG11-0

DATE  
01.04.17

SCALE  
1:2



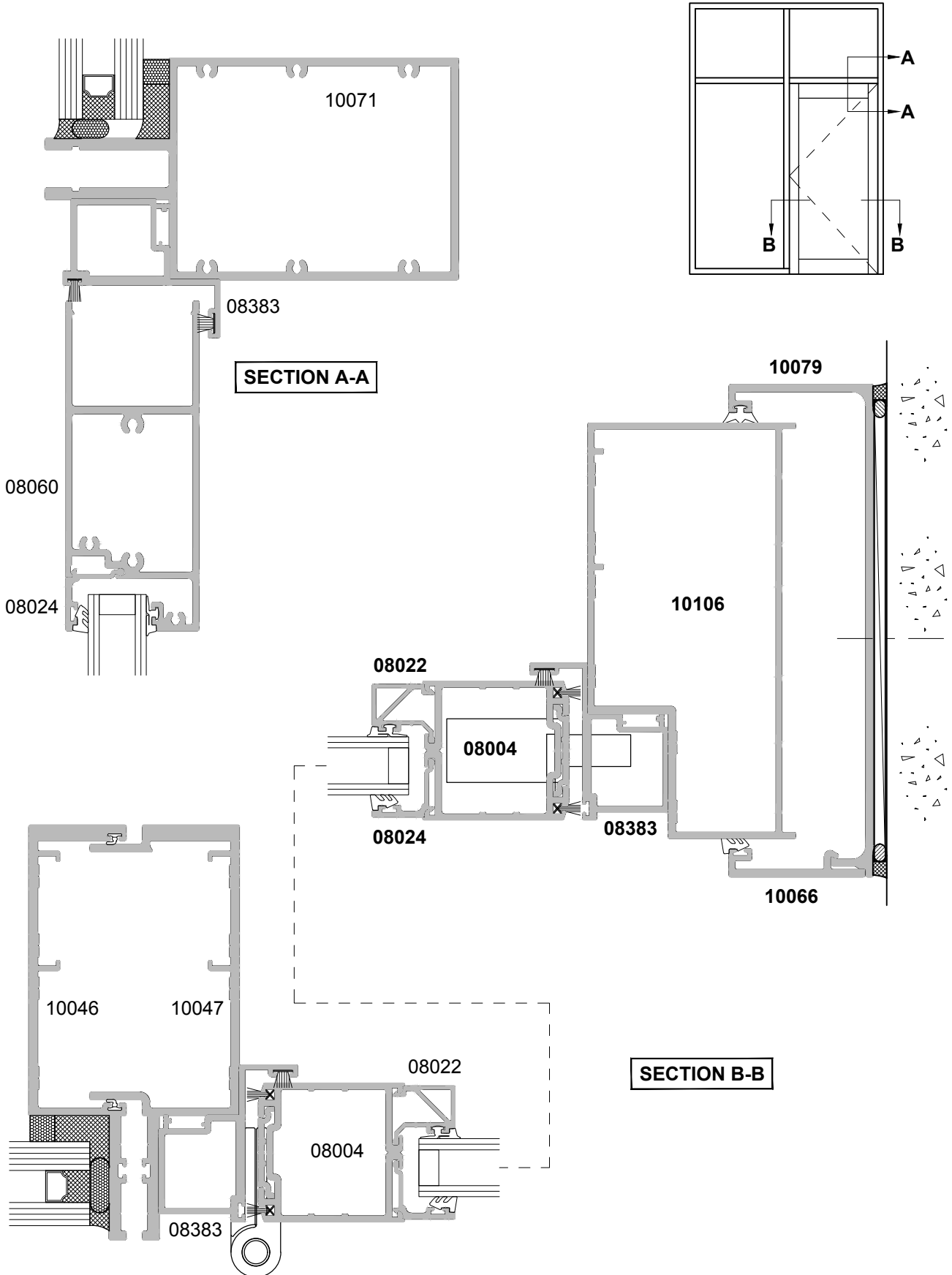


**150MM STRUCTURAL GLAZED SYSTEM  
DOUBLE GLAZED, DOOR ADAPTOR  
CROSS SECTION**

CAD REF. VCSG12-0

DATE  
01.04.17

SCALE  
1:2



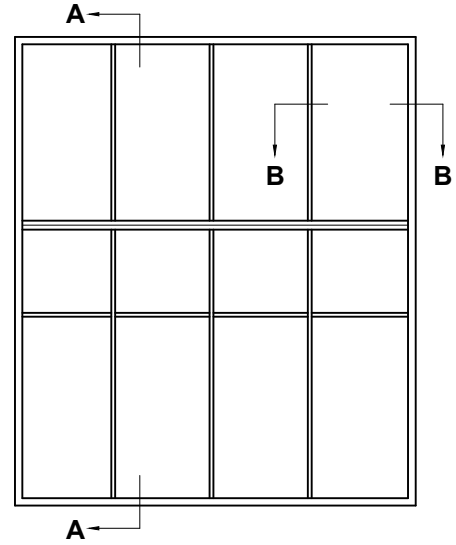
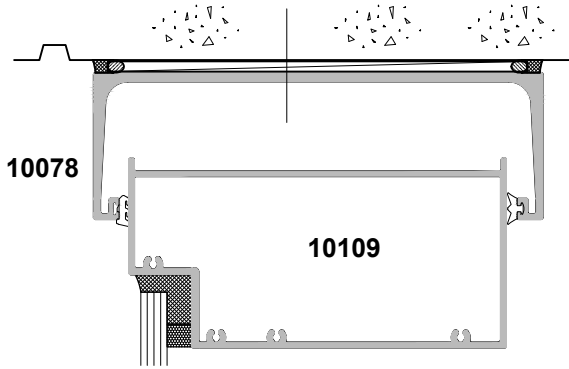


**150MM STRUCTURAL GLAZED SYSTEM**  
**SINGLE GLAZED, SEISMIC SYSTEM**  
 CROSS SECTION

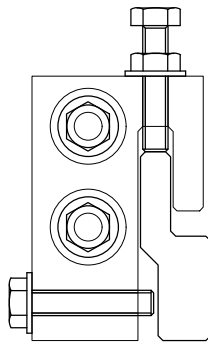
CAD REF. VCSG13-0

DATE  
01.04.17

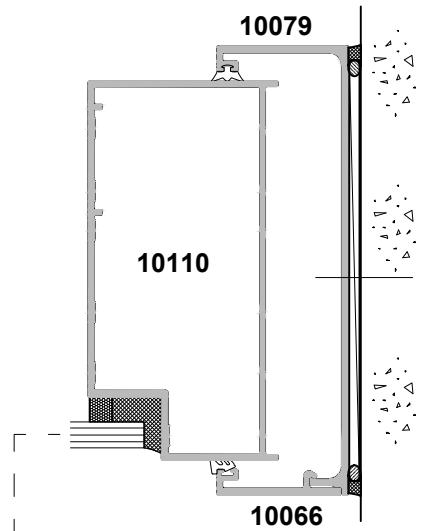
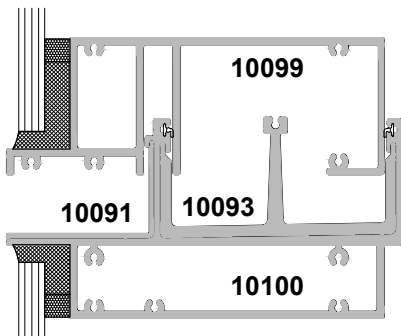
SCALE  
1:3



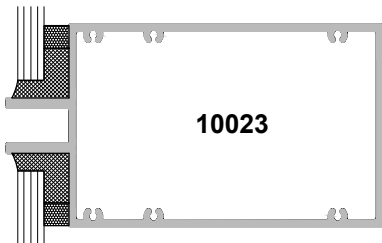
**SECTION A-A**



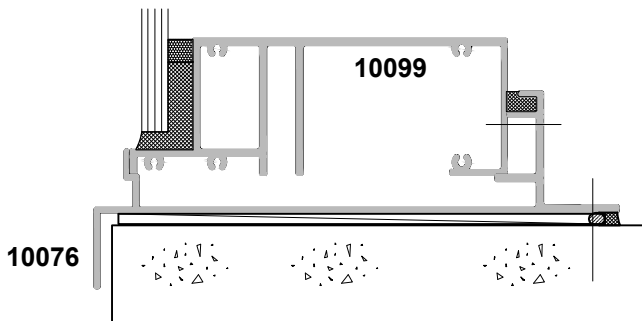
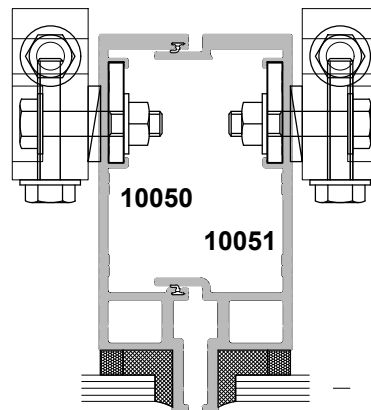
Deadload Bracket  
(design specific)



**SECTION B-B**



Deadload Bracket  
(design specific)



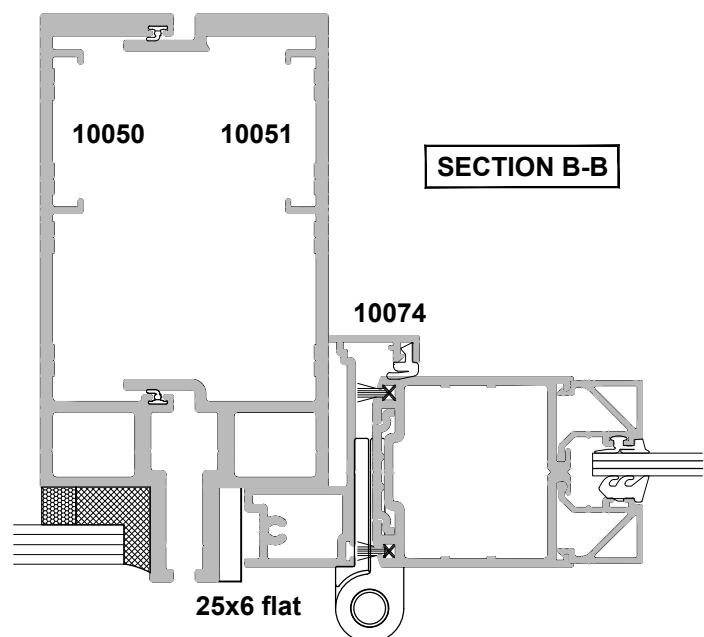
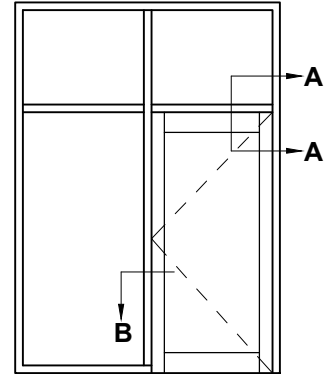
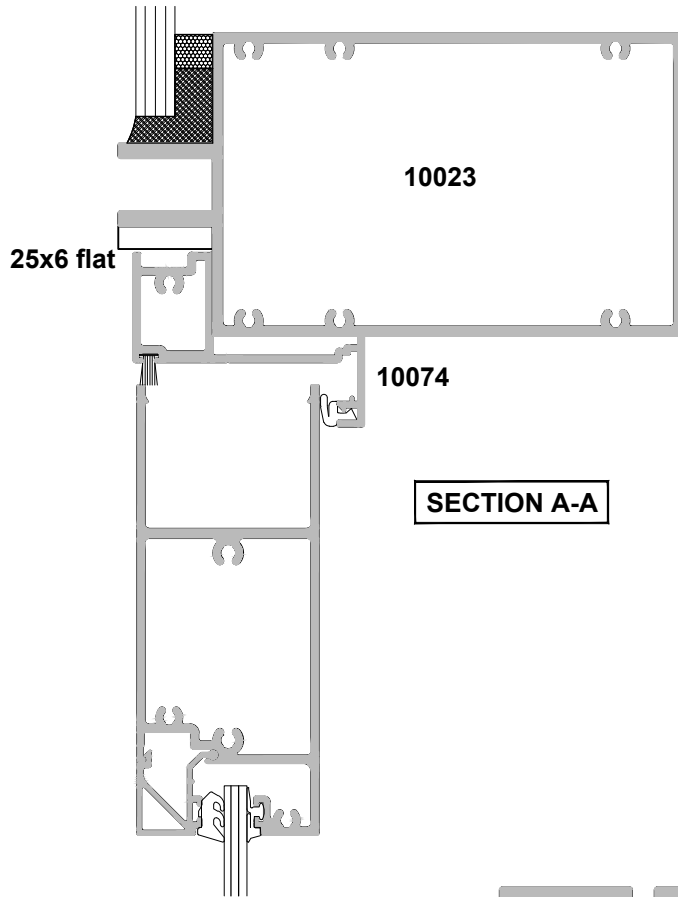


**150MM STRUCTURAL GLAZED SYSTEM  
SINGLE GLAZED, DOOR ADAPTOR  
CROSS SECTION**

CAD REF. VCSG14-0

DATE  
01.04.17

SCALE  
1:2



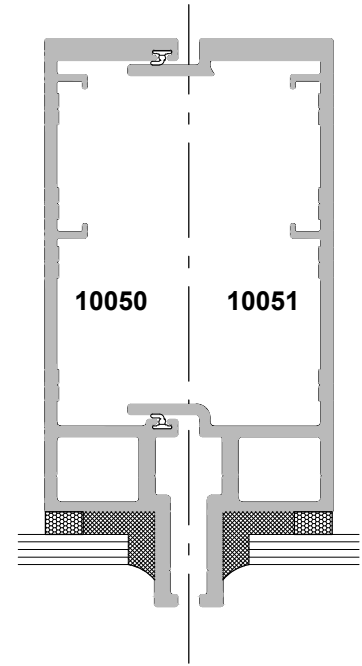
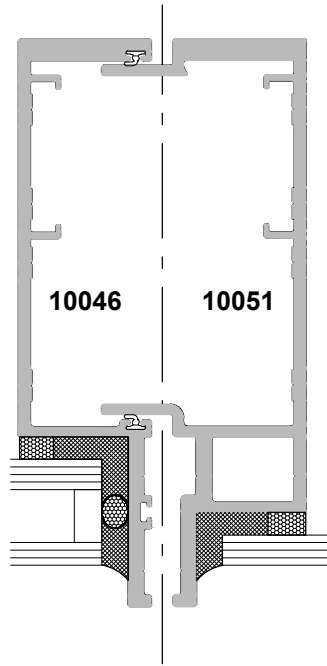
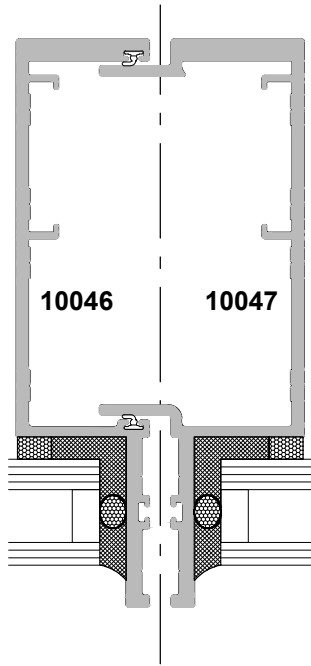


**150MM STRUCTURAL GLAZED SYSTEM  
DOUBLE TO SINGLE GLAZED MULLIONS  
CROSS SECTION**

CAD REF. VCSG15-0

DATE  
01.04.17

SCALE  
1:2





**150MM STRUCTURAL GLAZED SYSTEM  
DOUBLE GLAZED 90° CORNER MULLIONS  
CROSS SECTION**

CAD REF. VCSG16-0

DATE  
01.04.17

SCALE  
1:2

