

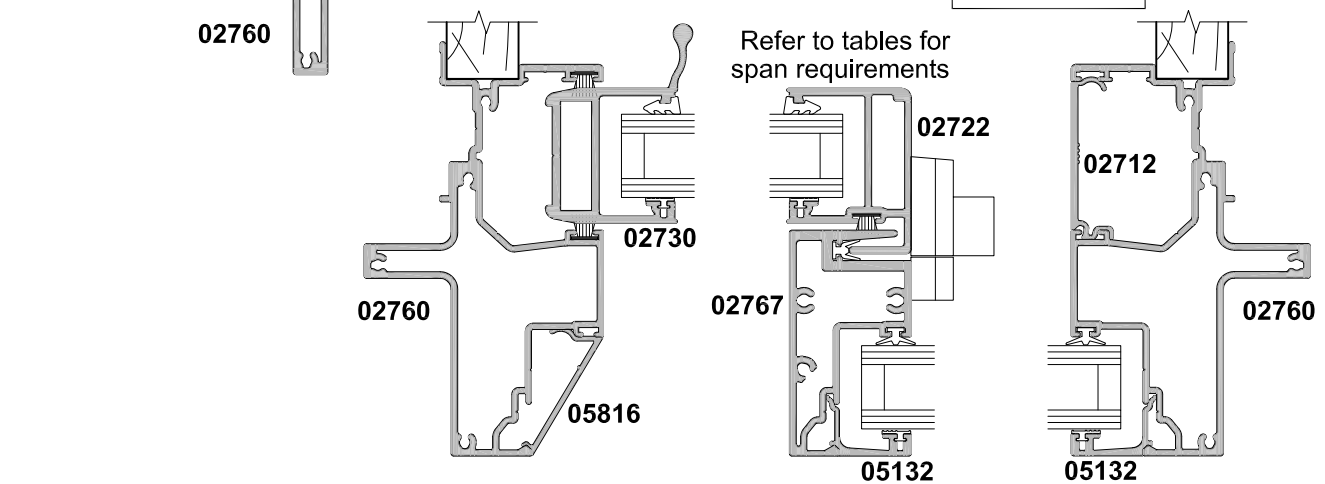
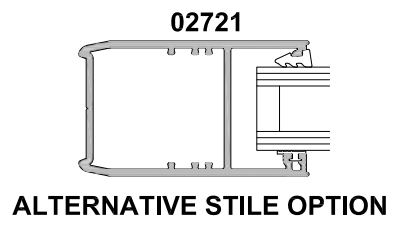
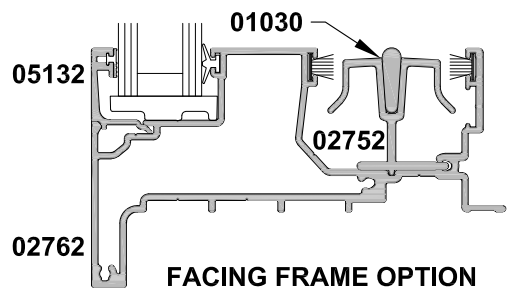
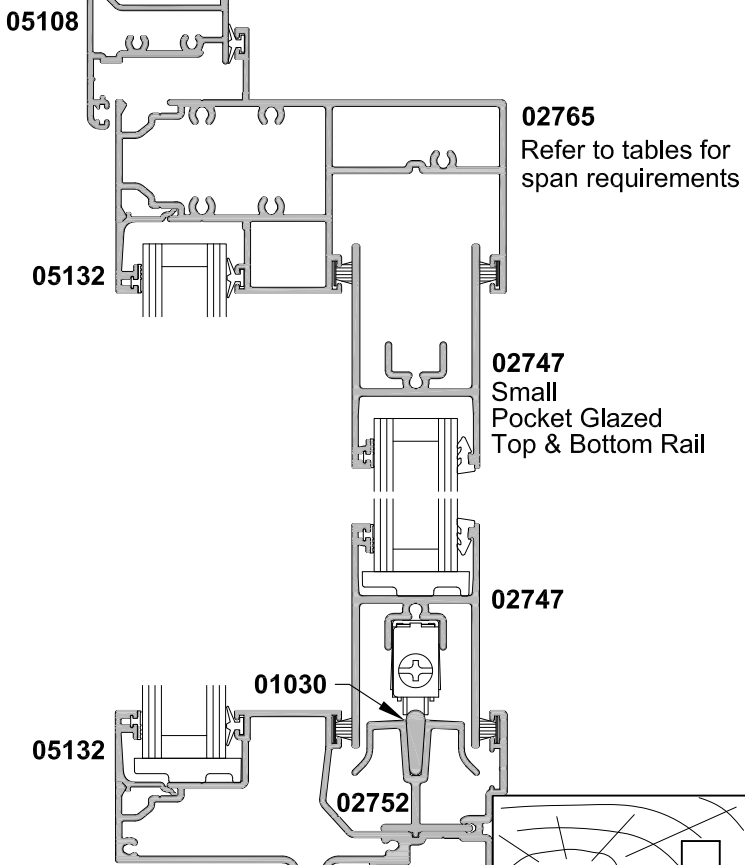
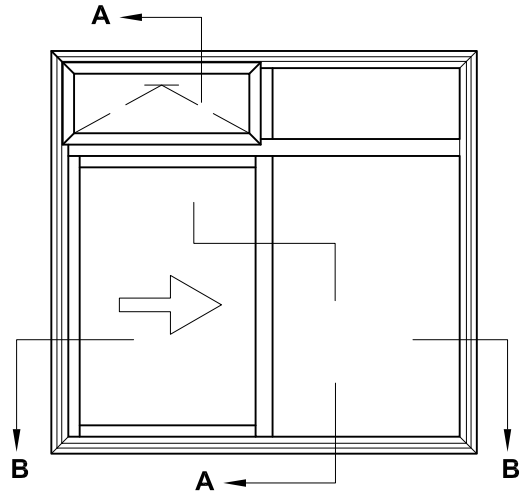
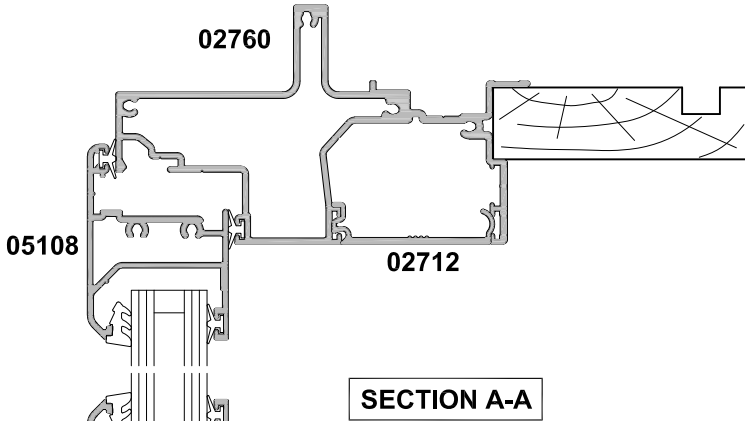


SLIDEMASTER SLIDING WINDOW
SF DOUBLE GLAZED WITH OVERLIGHT
CROSS SECTION

CAD REF. VSW01-0

DATE
01.04.19

SCALE
1:2



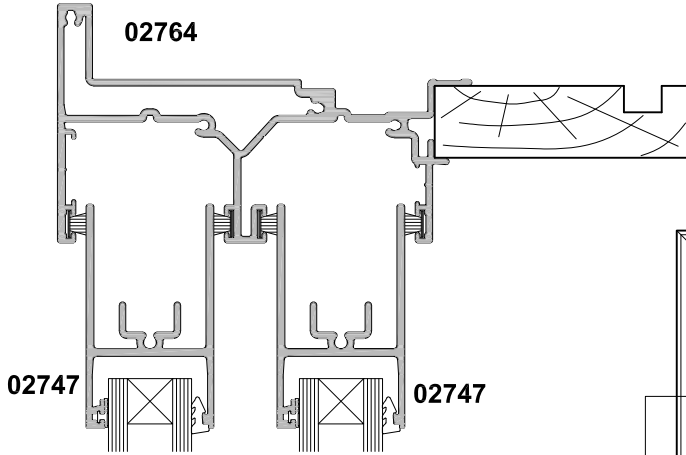


**SLIDEMASTER SLIDING WINDOW
SS BYPASS SLIDER
CROSS SECTION**

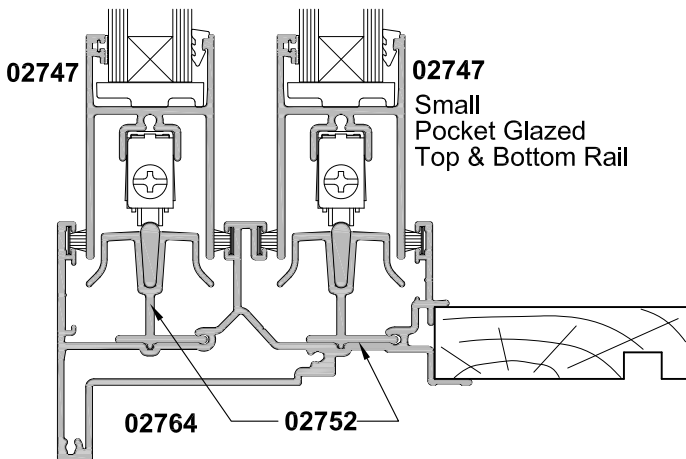
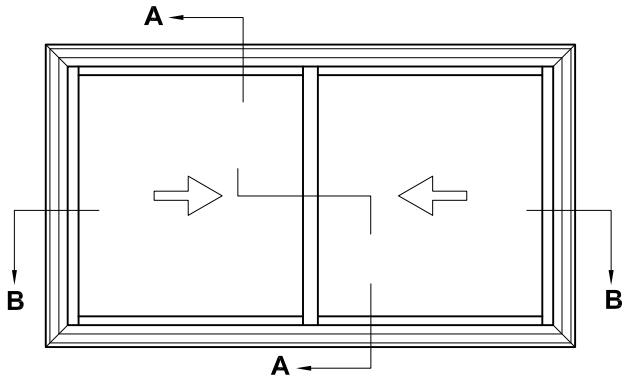
CAD REF. VSW02-0

DATE
01.04.19

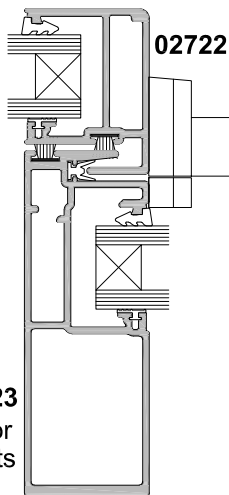
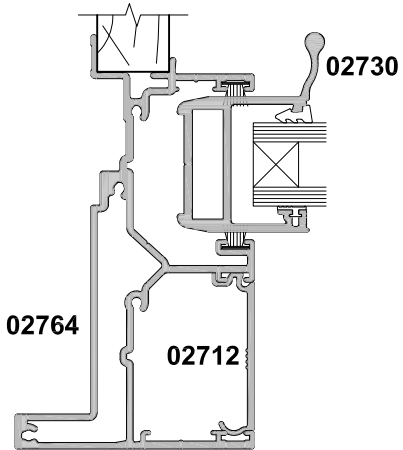
SCALE
1:2



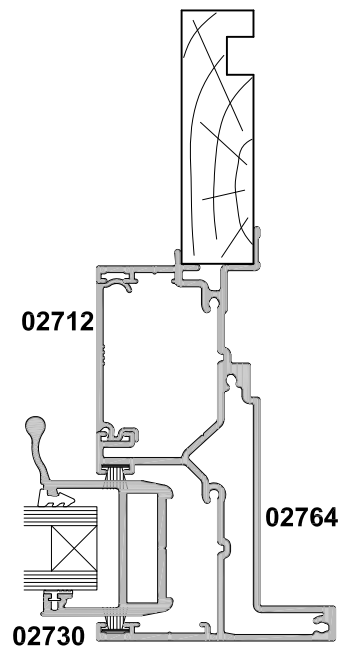
SECTION A-A



SECTION B-B



Refer to tables for
span requirements



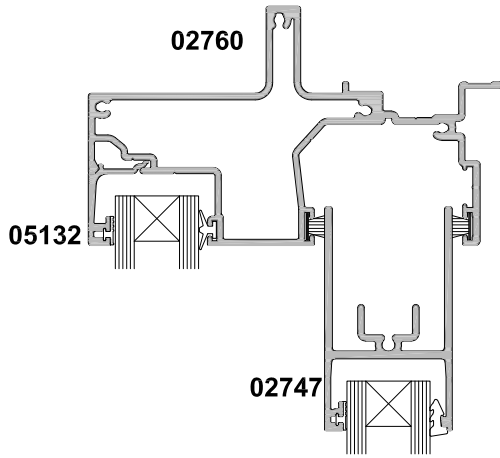


**SLIDEMASTER SLIDING WINDOW
FSF DOUBLE GLAZED
CROSS SECTION**

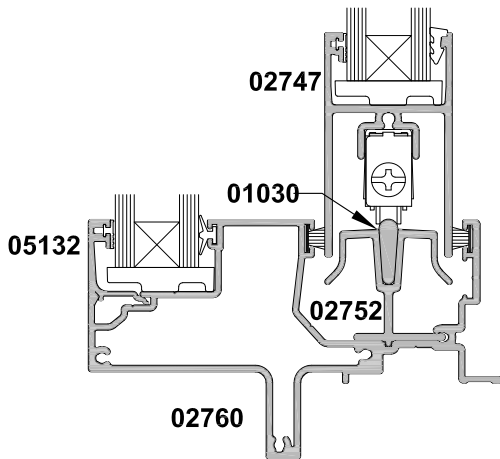
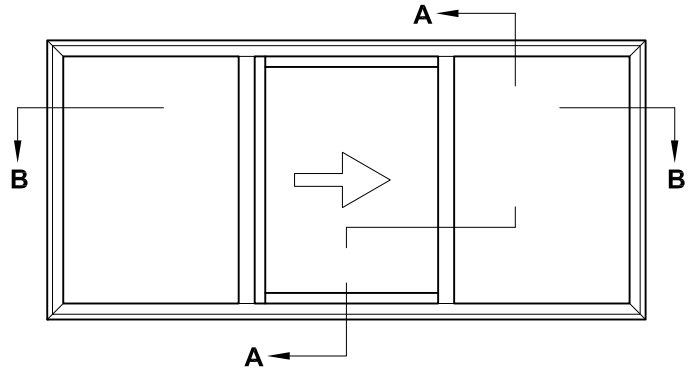
CAD REF. VSW03-0

DATE
01.04.19

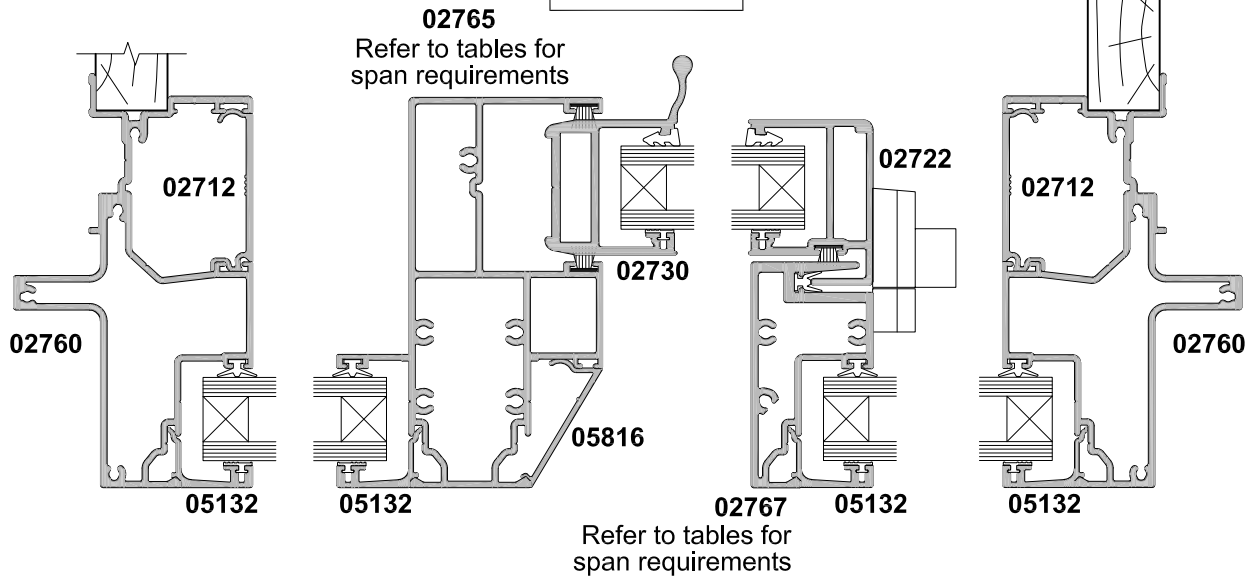
SCALE
1:2



SECTION A-A



SECTION B-B



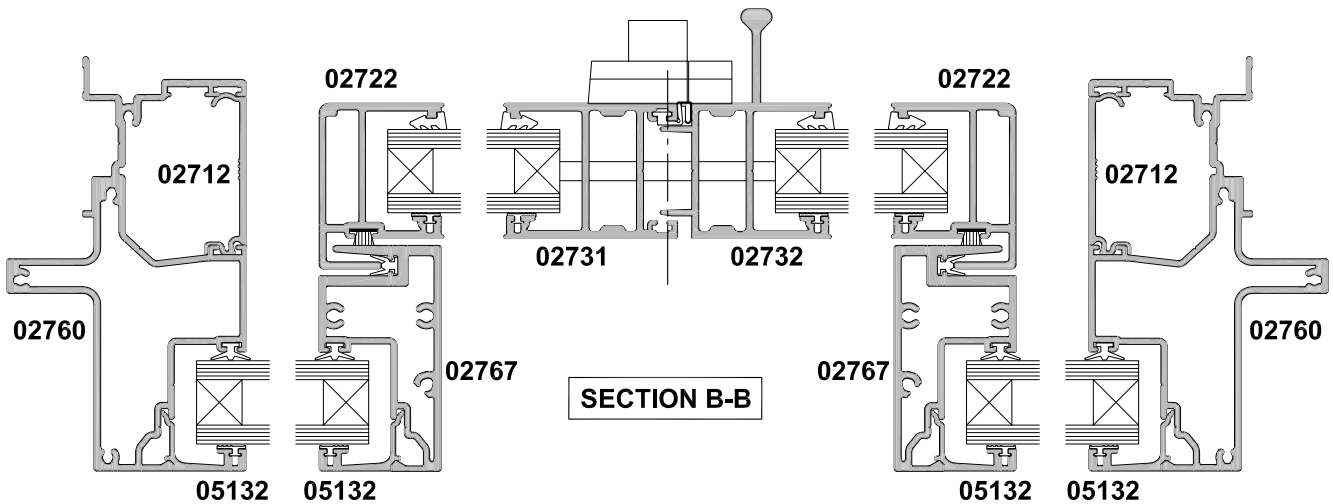
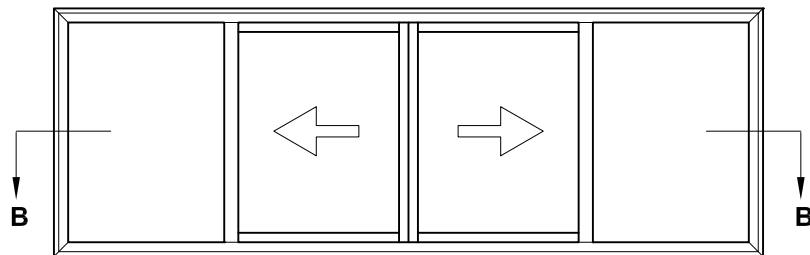
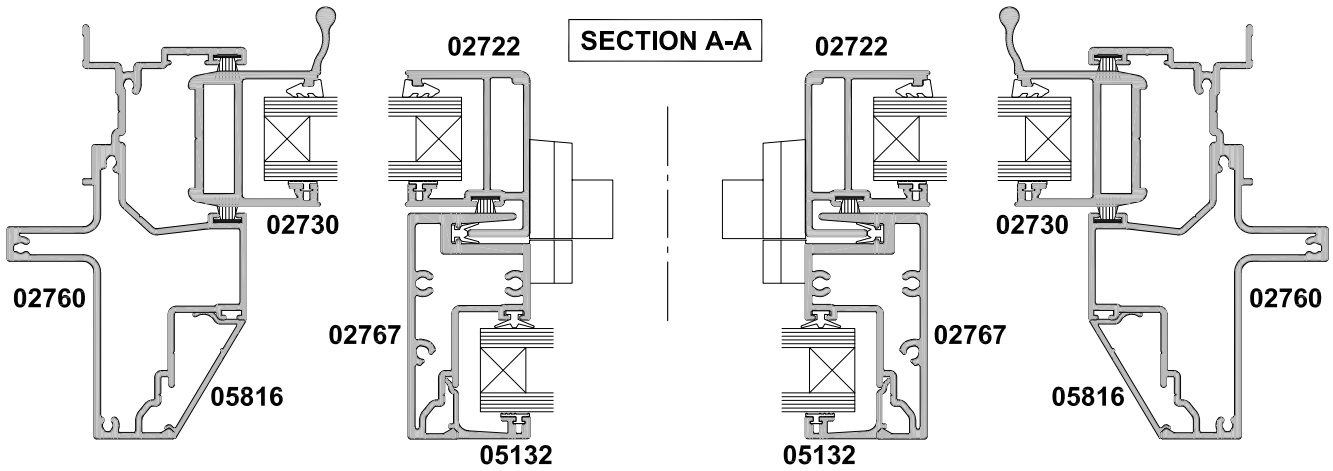
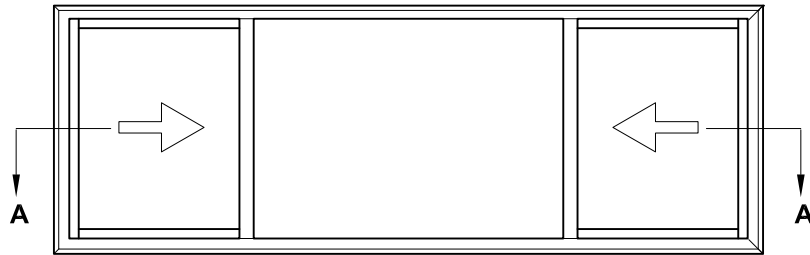


SLIDEMASTER SLIDING WINDOW SFS / FSSF DOUBLE GLAZED CROSS SECTION

CAD REF. VSW04-0

DATE
01.04.19

SCALE
1:2



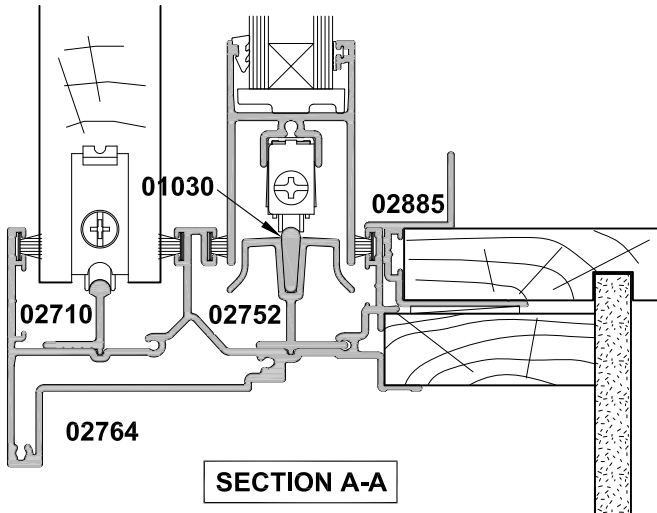
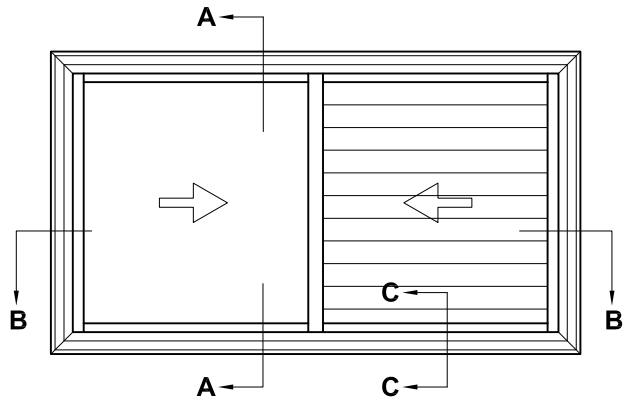
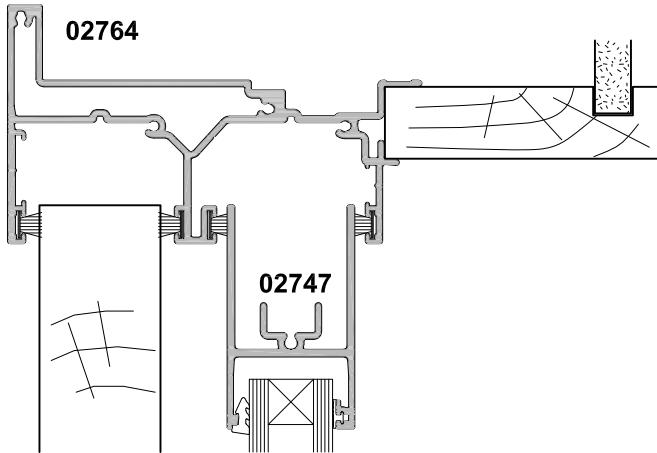


SLIDEMASTER SLIDING WINDOW SS WITH TIMBER SHUTTER CROSS SECTION

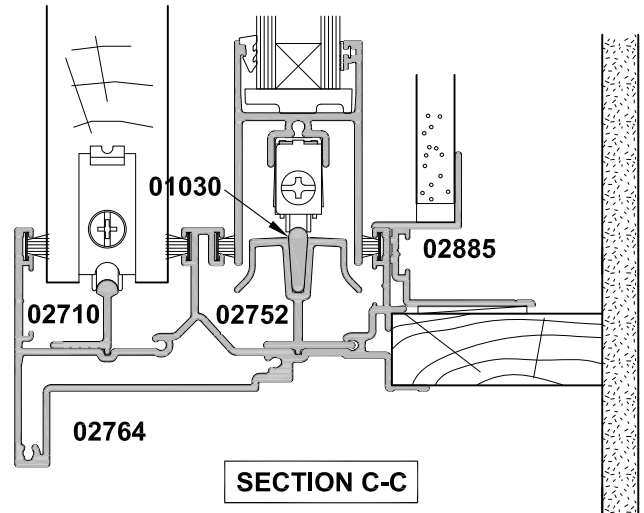
CAD REF. VSW05-0

DATE
01.04.19

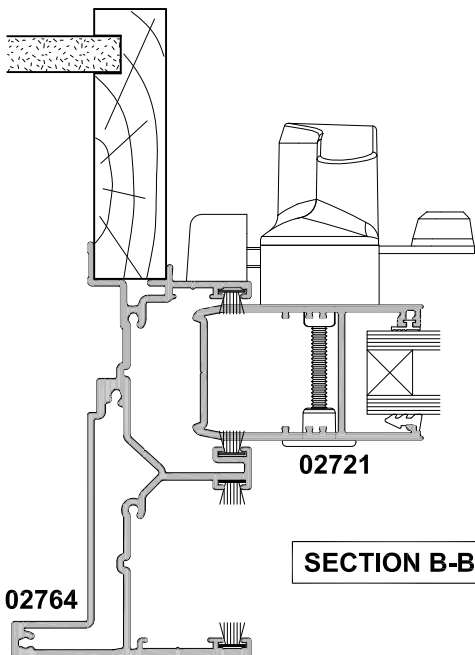
SCALE
1:2



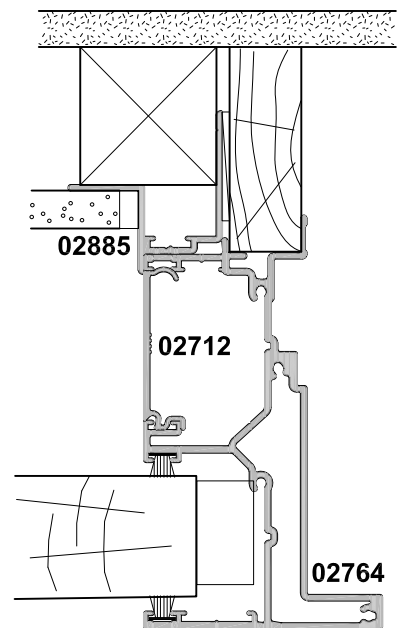
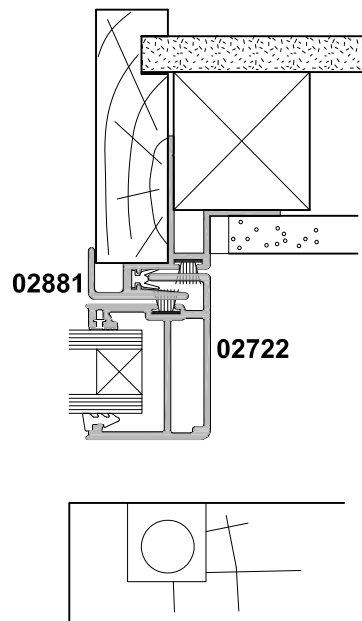
SECTION A-A



SECTION C-C



SECTION B-B



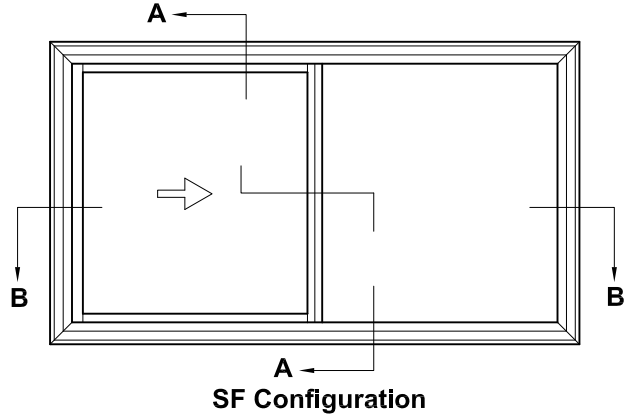
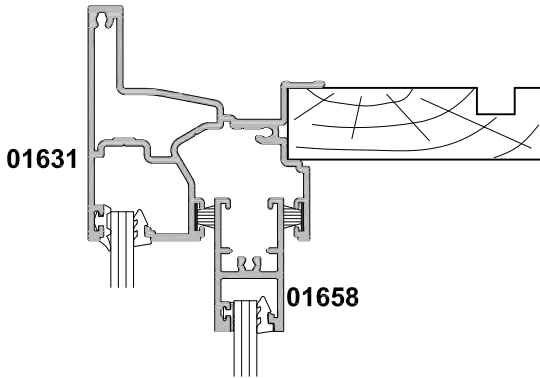


SLIMLINE SLIDING WINDOW
SF SINGLE SLIDING PANEL
CROSS SECTION

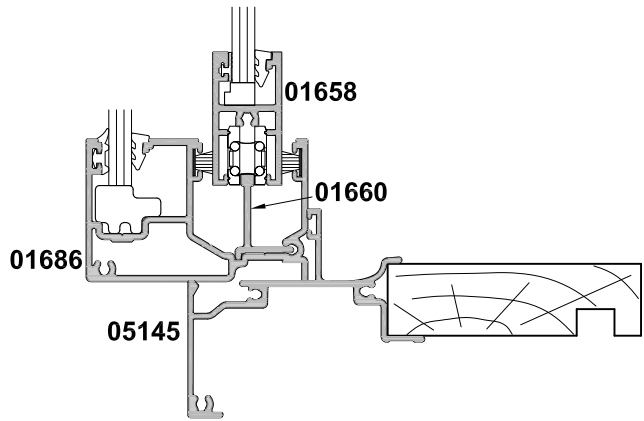
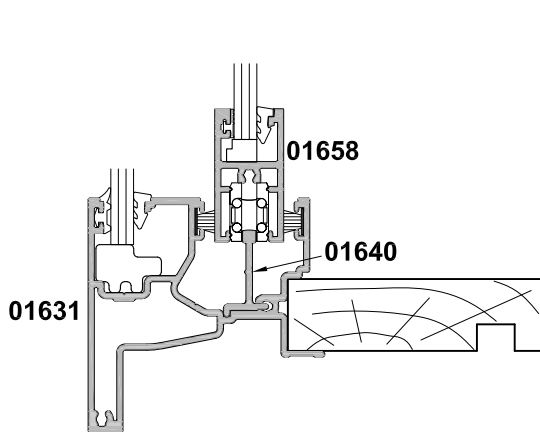
CAD REF. VSL01-0

DATE
01.04.19

SCALE
1:2

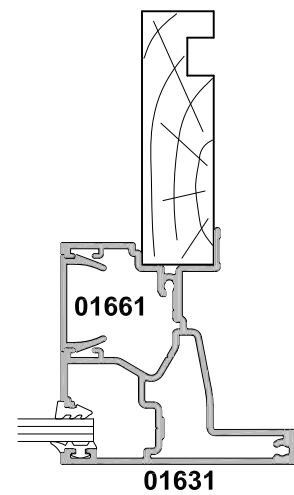
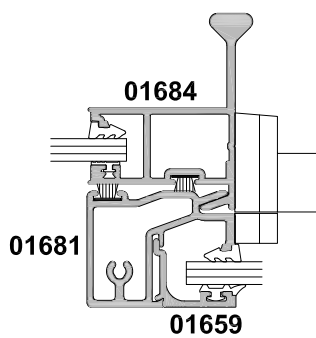
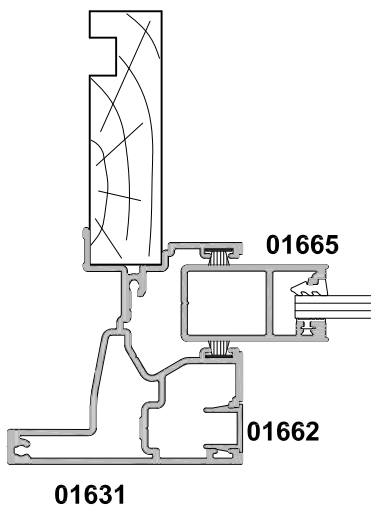


SECTION A-A



INSERT FRAME OPTION

SECTION B-B



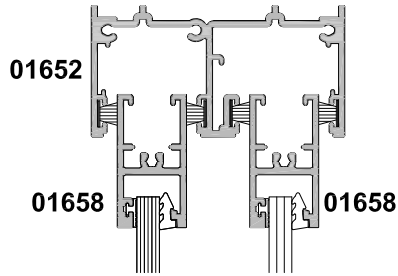


**SLIMLINE SLIDING WINDOW, SS DOUBLE
SLIDING PANEL & FSSF FOUR PANEL
CROSS SECTION**

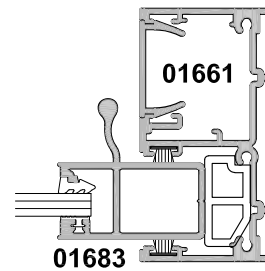
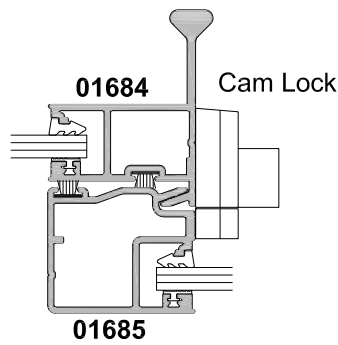
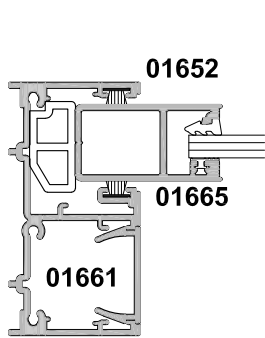
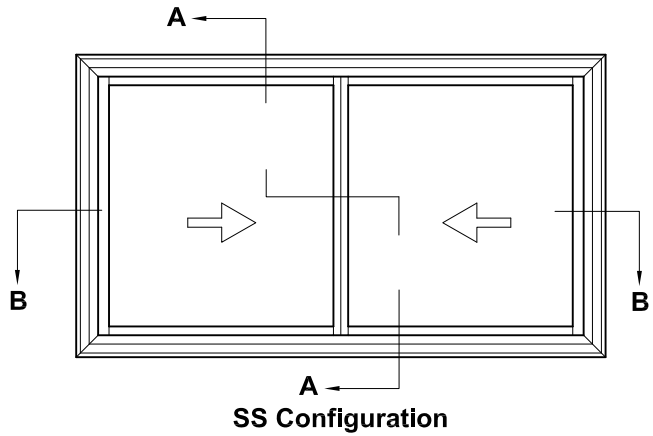
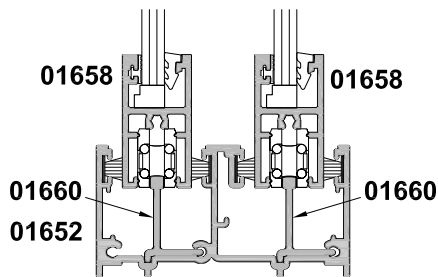
CAD REF. VSL02-0

DATE
01.04.19

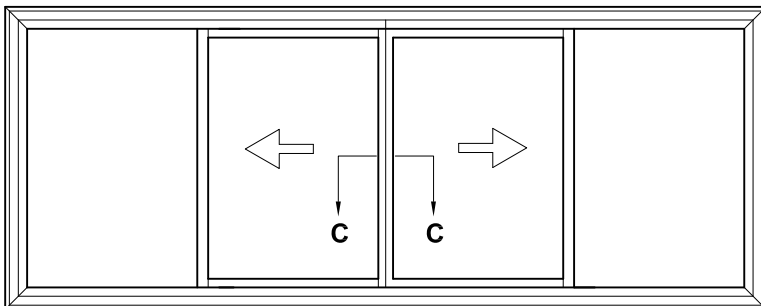
SCALE
1:2



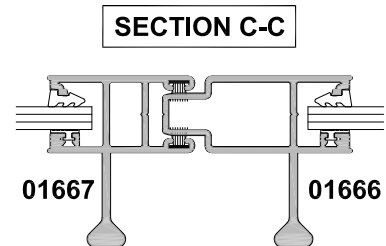
SECTION A-A



SECTION B-B



FSSF Sliding Window



SECTION C-C

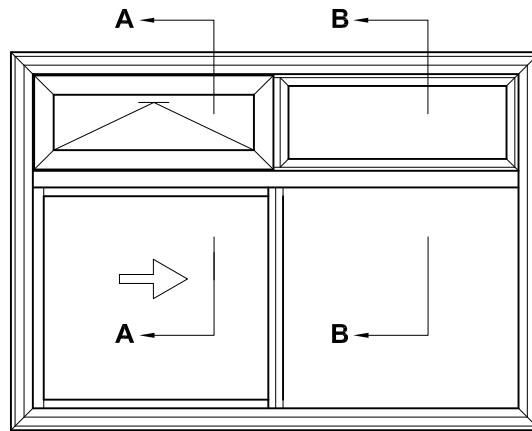


SLIMLINE SLIDING WINDOW SF WITH OVERLIGHT SASH CROSS SECTION

CAD REF. VSL03-0

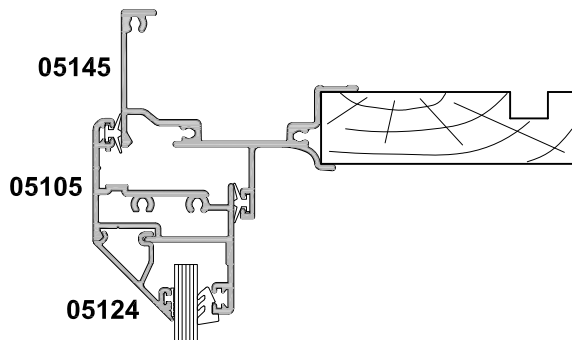
DATE
01.04.19

SCALE
1:2

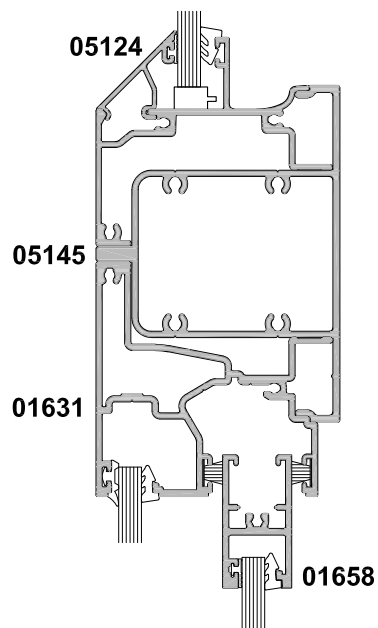
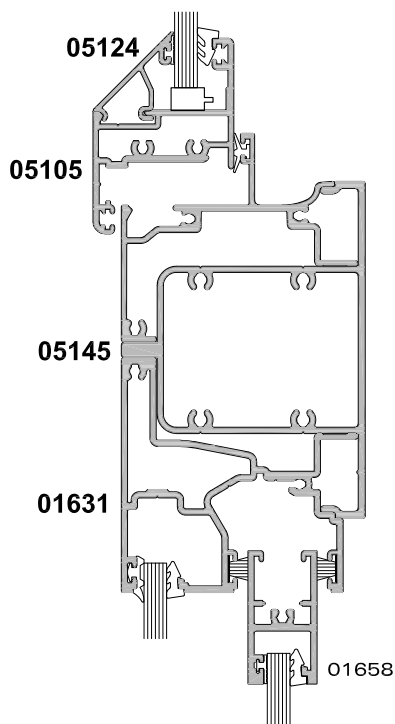
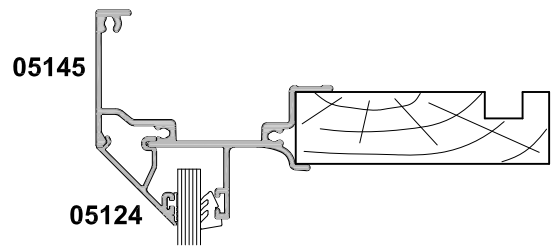


SF With Overlight / Ventlight

SECTION A-A



SECTION B-B



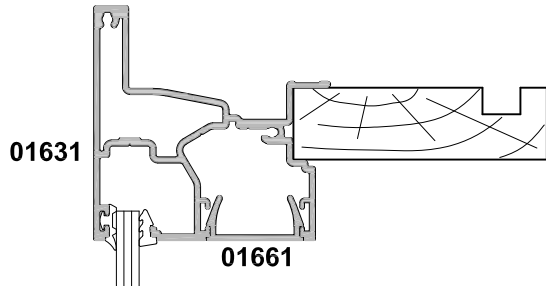


**SLIMLINE SLIDING WINDOW
FSF BUTT JOINTED CORNER
CROSS SECTION**

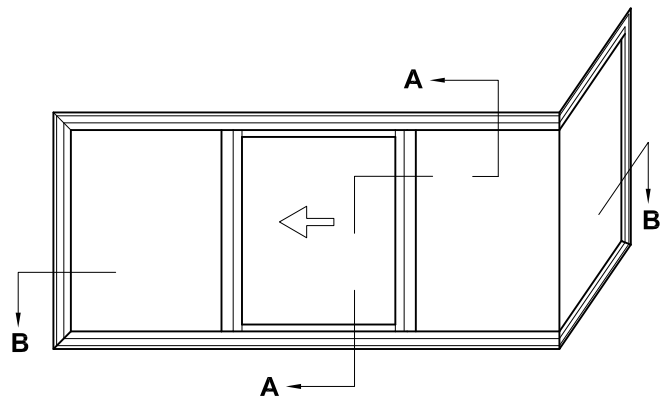
CAD REF. VSL04-0

DATE
01.04.19

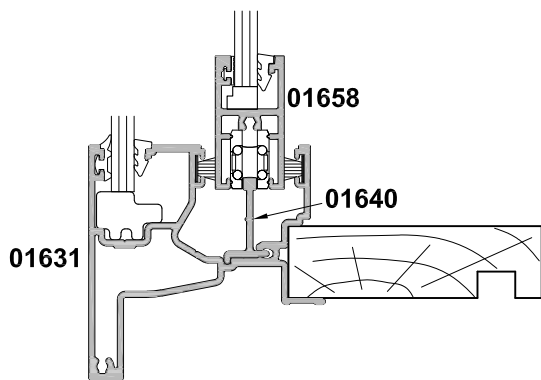
SCALE
1:2



SECTION A-A



FSF With Butt Jointed Corner



SECTION B-B

