

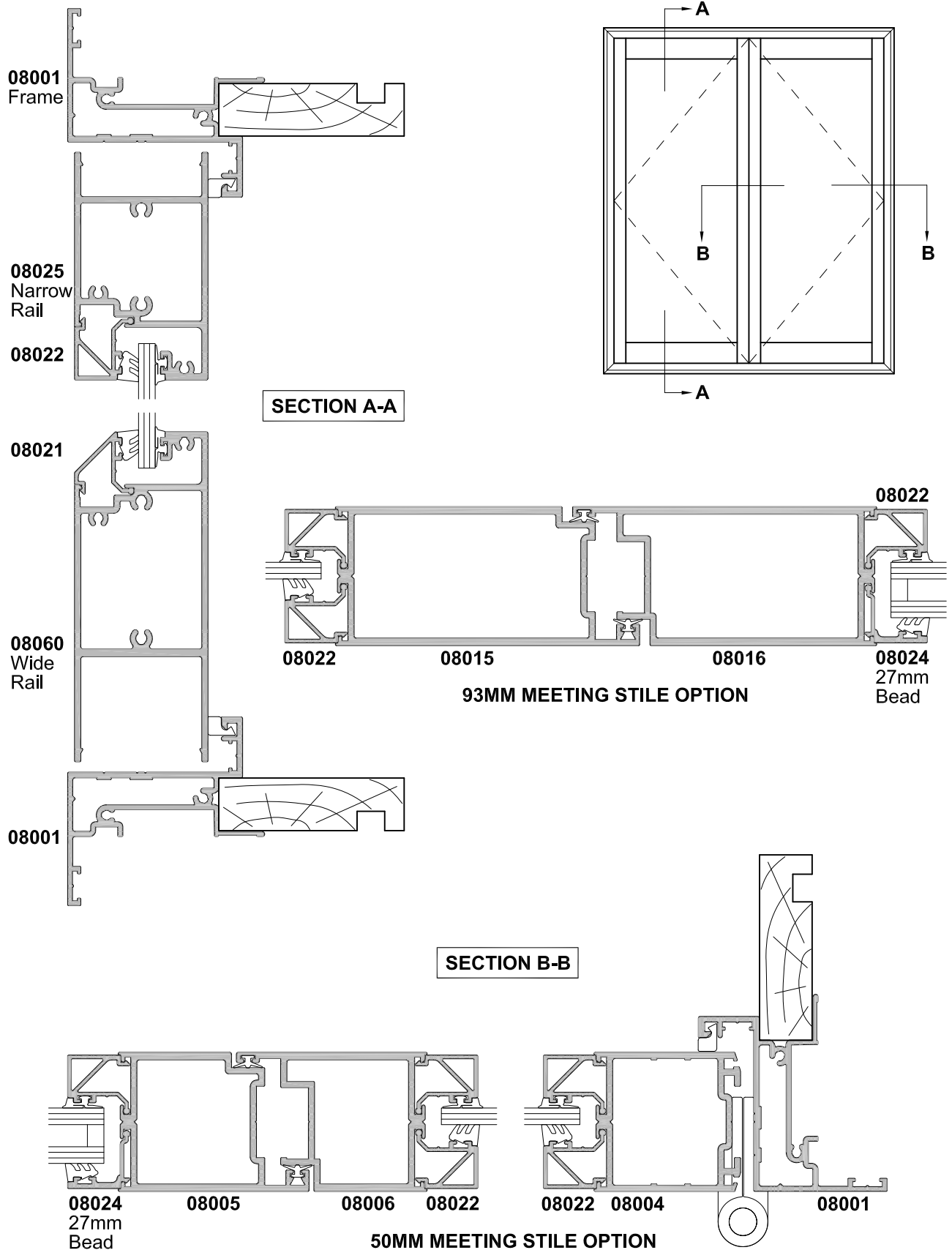


MAGNUM 50
OPEN OUT HINGED DOOR
FRENCH DOOR MEETING STILE OPTIONS
 CROSS SECTION

CAD REF. VCMD02-0

DATE
01.06.11

SCALE
1:2



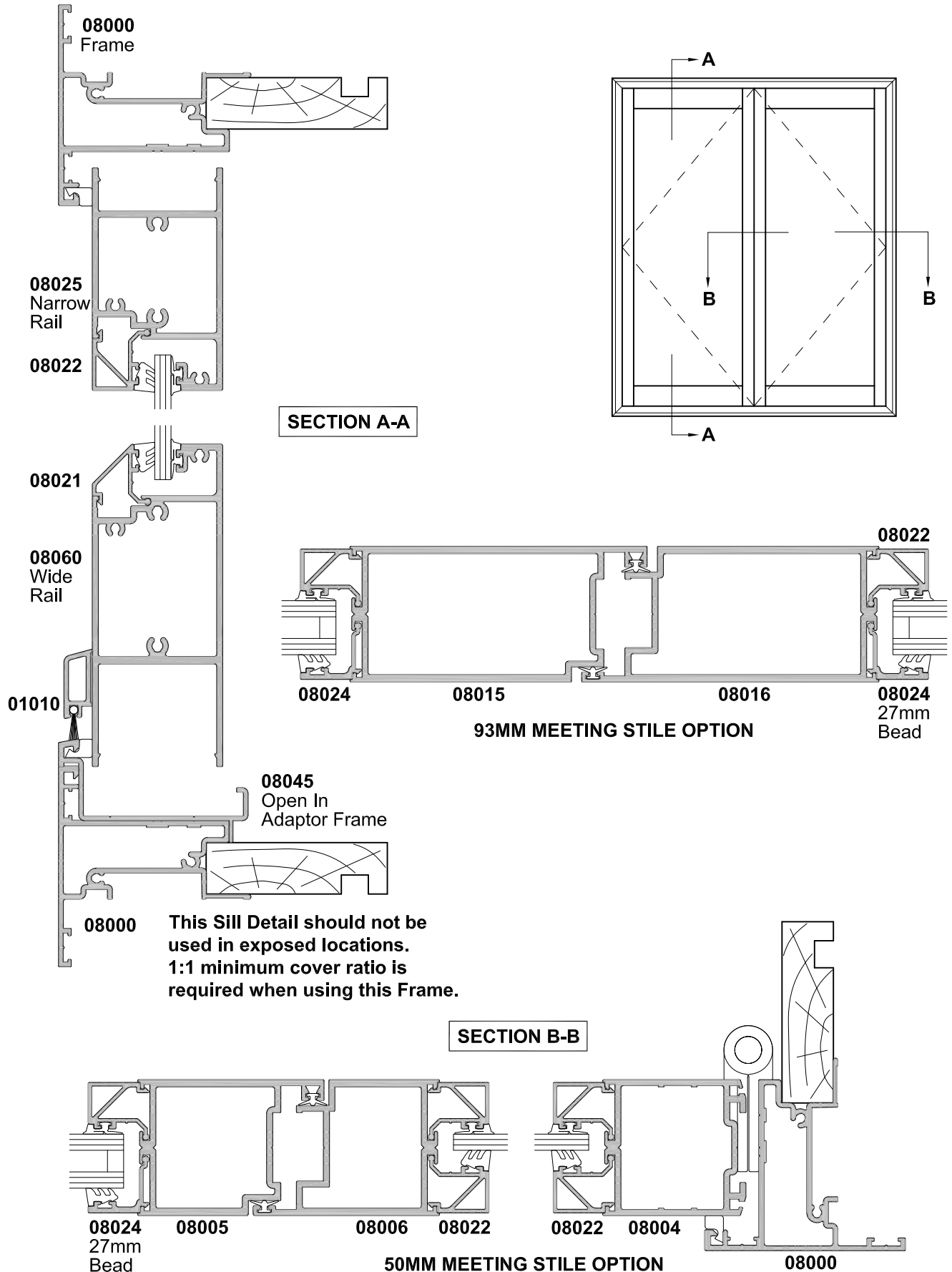


**MAGNUM 50
OPEN IN HINGED DOOR
FRENCH DOOR MEETING STILE OPTIONS
CROSS SECTION**

CAD REF. VCMD03-0

DATE
01.06.11

SCALE
1:2



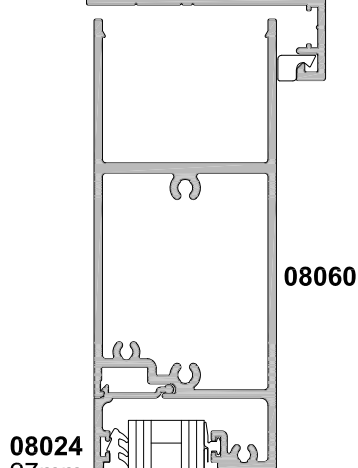
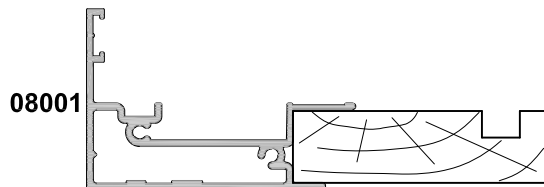


MAGNUM 50
OPEN OUT HINGED DOOR
WITH COUPLED SIDELIGHT
 CROSS SECTION

CAD REF. VCMD04-0

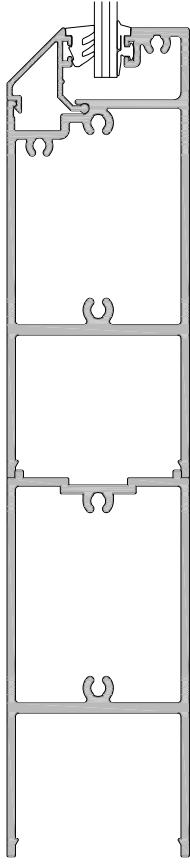
DATE
01.06.11

SCALE
1:2



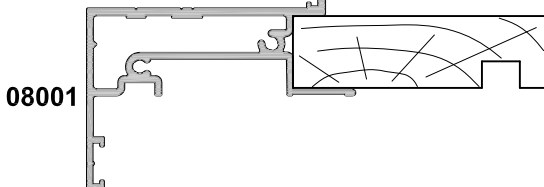
08024
27mm
Bead

08021



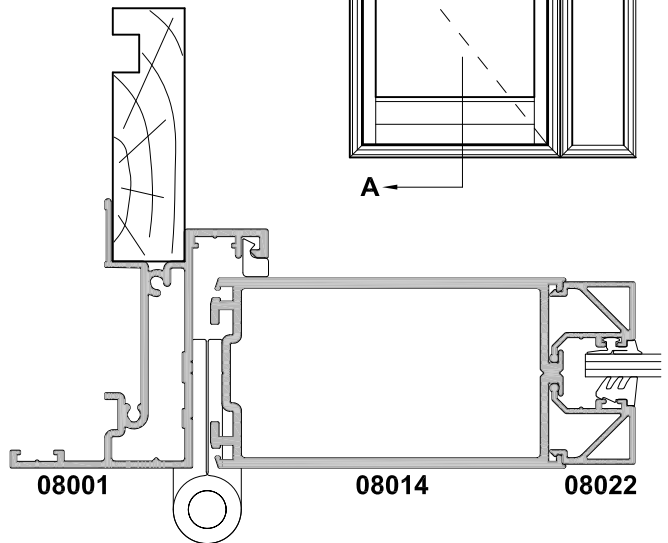
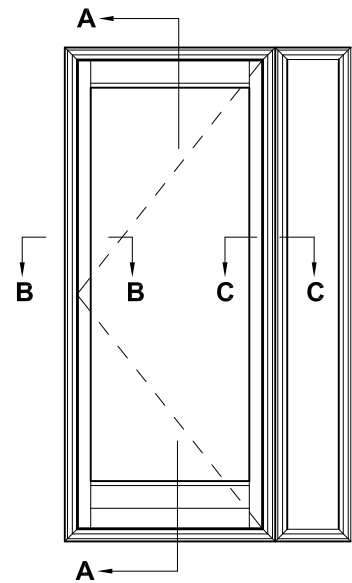
08060

08061
Rail
Extender

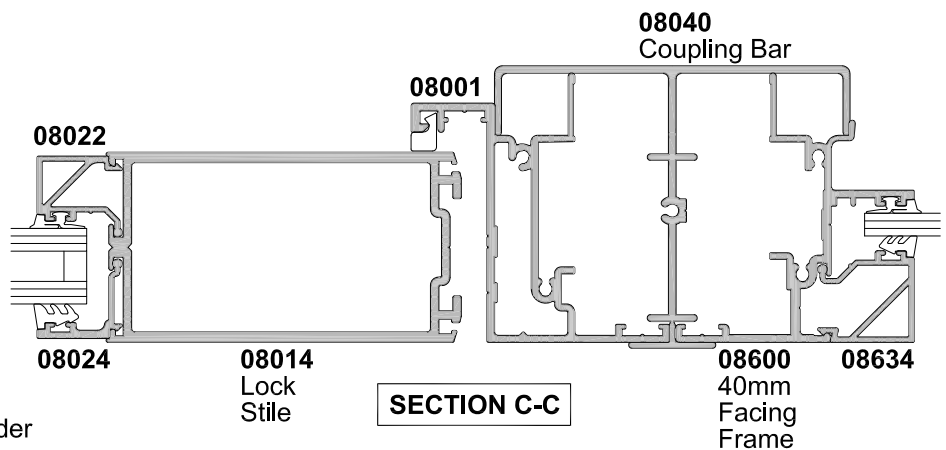


08001

SECTION A-A



SECTION B-B



SECTION C-C

MAGNUM 50 TO 40MM
SUITE COUPLING BAR

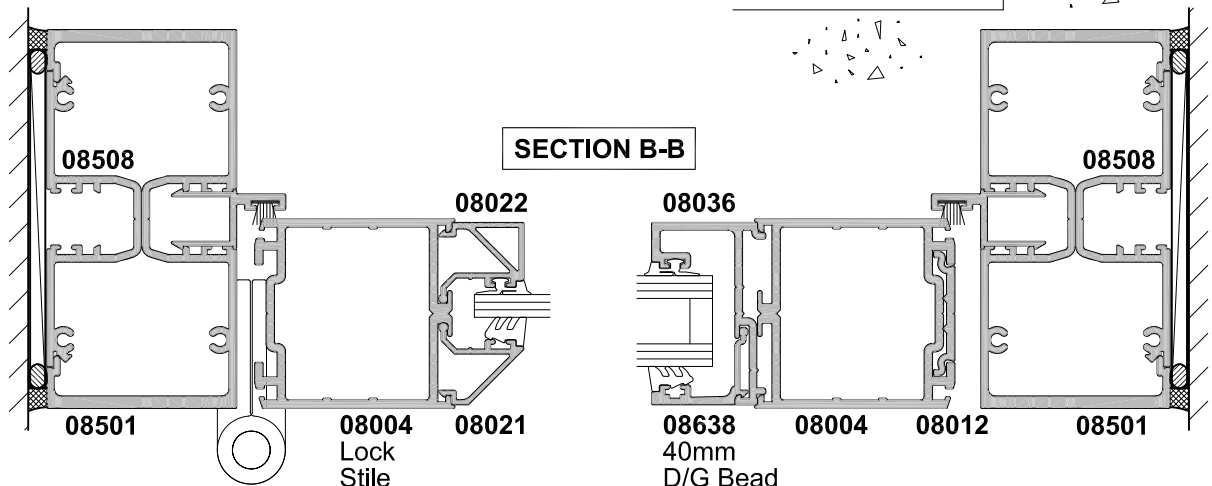
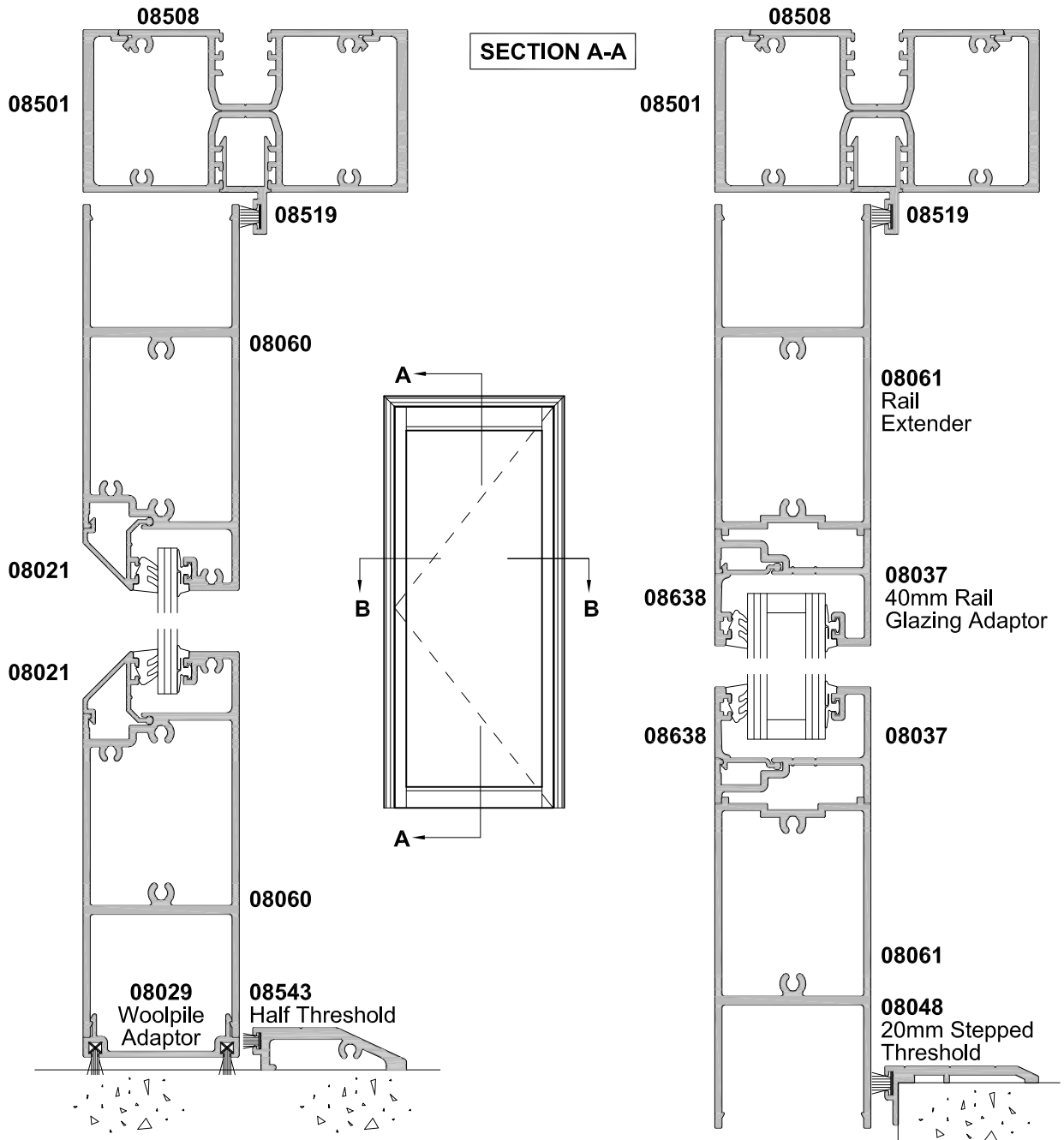


**MAGNUM 50, HINGED DOOR
 INTO 100MM SHOPFRONT
 SILL OPTIONS WITH 40MM ADAPTORS
 CROSS SECTION**

CAD REF. VCMD05-0

DATE
01.06.11

SCALE
1:2



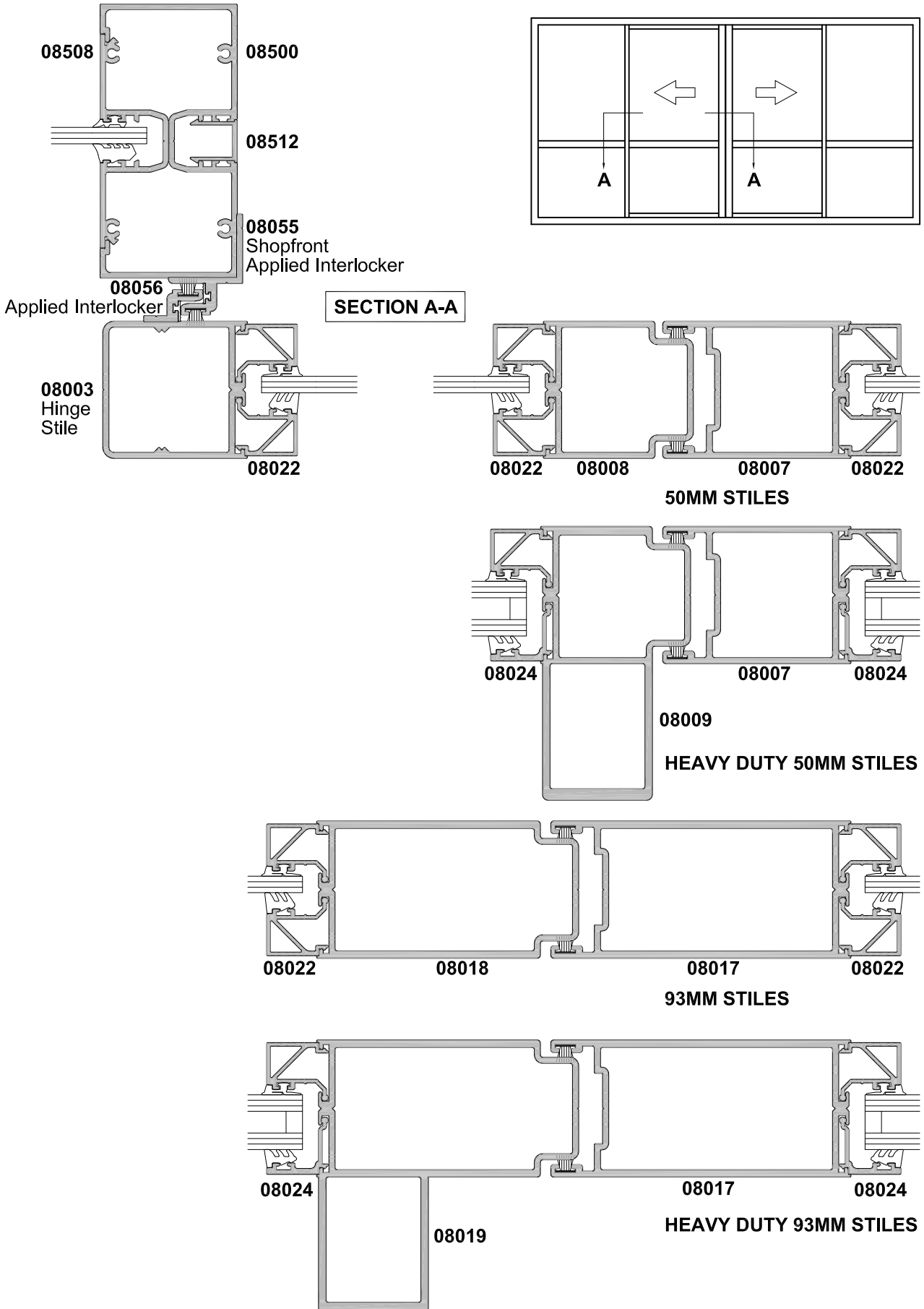


**MAGNUM 50, SLIDING DOOR
 INTO 100MM SHOPFRONT
 4 PANEL, MEETING STILE OPTIONS
 CROSS SECTION**

CAD REF. VCMD06-0

DATE
01.06.11

SCALE
1:2





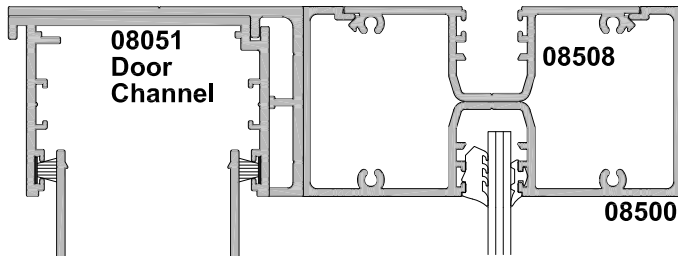
MAGNUM 50
SLIDING DOOR INTO 100MM
SHOPFRONT, VISION RAIL OPTIONS
CROSS SECTION

CAD REF. VCMD07-0

DATE
01.06.11

SCALE
1:2

08050
 Door Channel
 Mounting Bracket

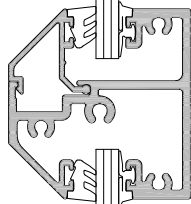


08060

SECTION A-A

08022

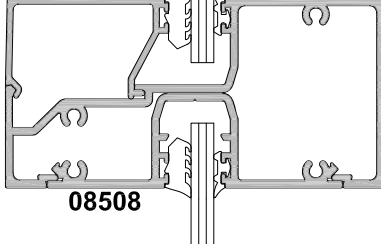
08021



08031
 50mm
 Sloped
 Vision
 Rail

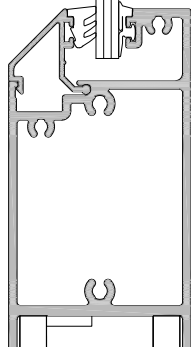
08510

08502



08508

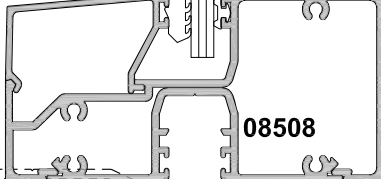
08021



08060

08511

08502

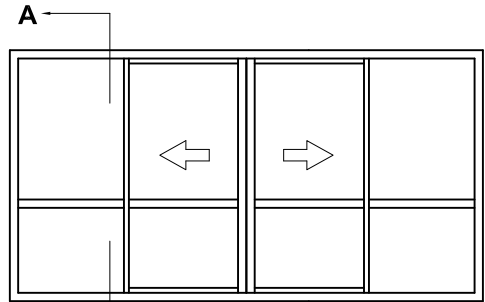


08508

08503

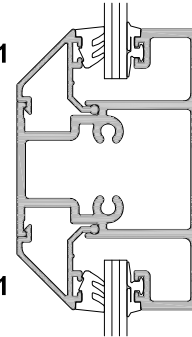
08048
 Stepped Threshold
 across opening

08058



A

08021



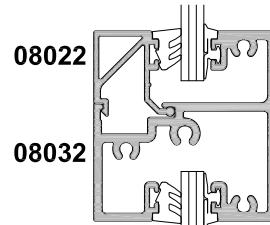
08030

08021

74 MM VISION RAIL
TO SUIT 40MM TRANSOM

08022

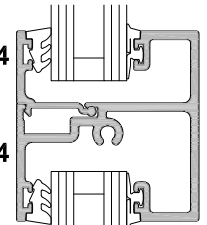
08032



50MM SQUARE
VISION RAIL

08024

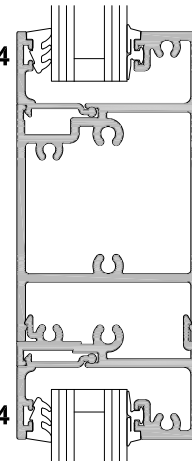
08034



50MM D/G
VISION RAIL

08024

08024



08025

08028

VISION RAIL OPTIONS
STANDARD

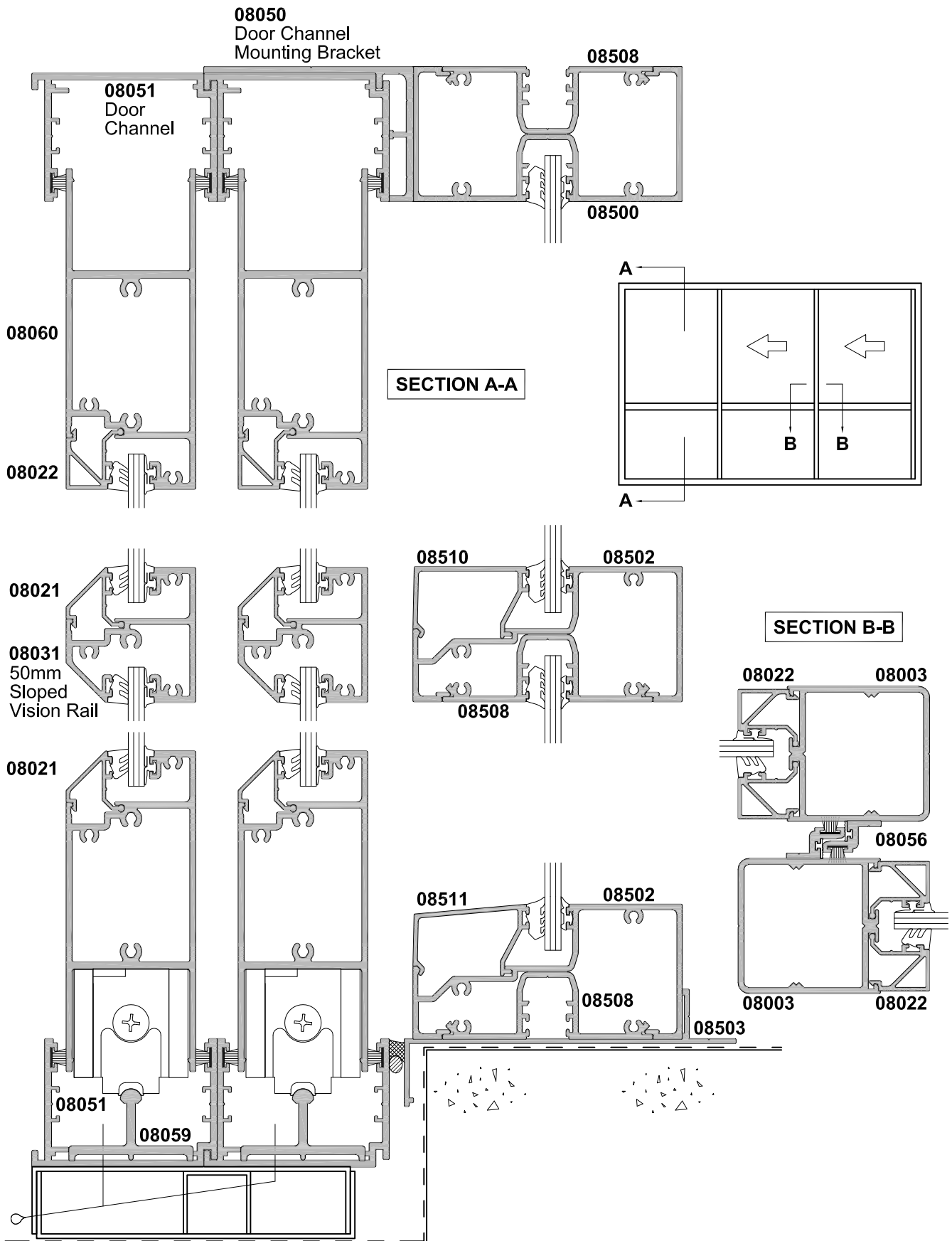


**MAGNUM 50
SLIDING DOOR INTO 100MM
SHOPFRONT WITH DUO SLIDER
CROSS SECTION**

CAD REF. VCMD08-0

DATE
01.06.11

SCALE
1:2



NOTE: This detail is indicative only and will differ for various claddings and building in situations.
Contact Technical Advisory Service for more information

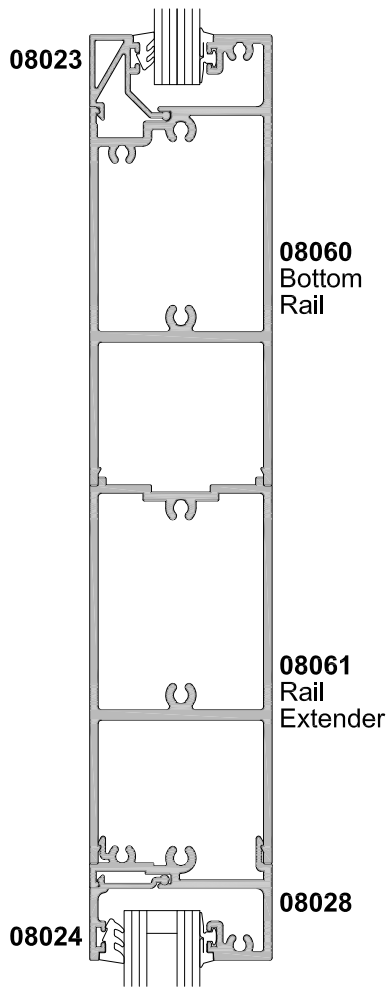
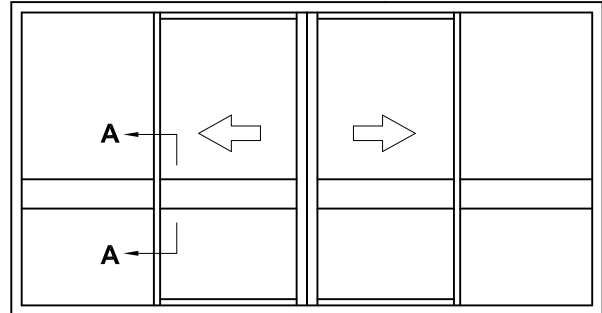


**MAGNUM 50
SLIDING DOOR
VISION RAIL AND BEAD OPTIONS**
CROSS SECTION

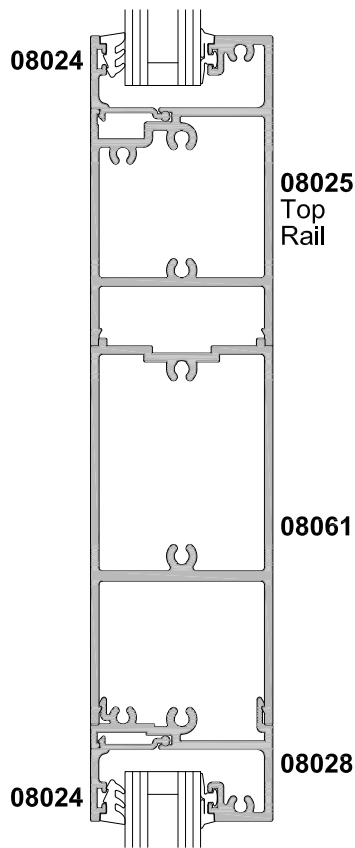
CAD REF. VCMD09-0

DATE
01.06.11

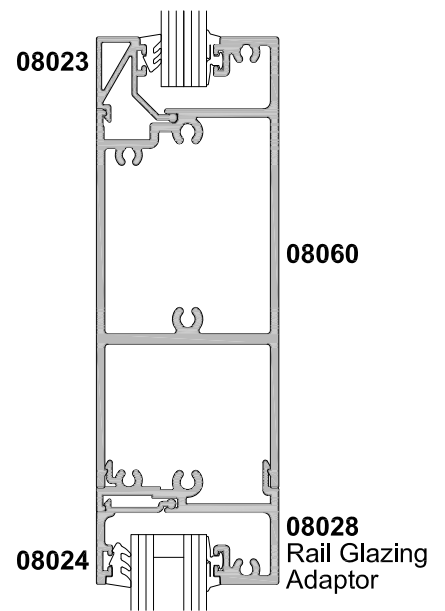
SCALE
1:2



SECTION A-A



SECTION A-A



SECTION A-A

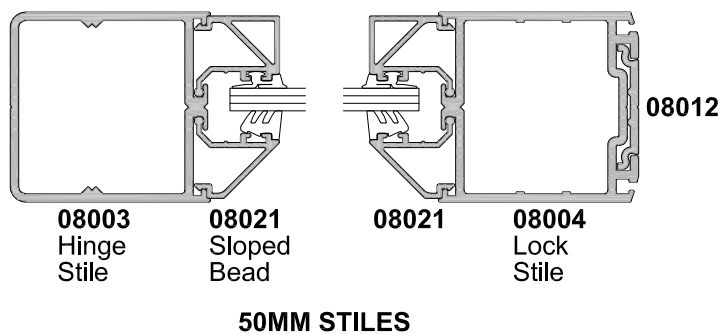
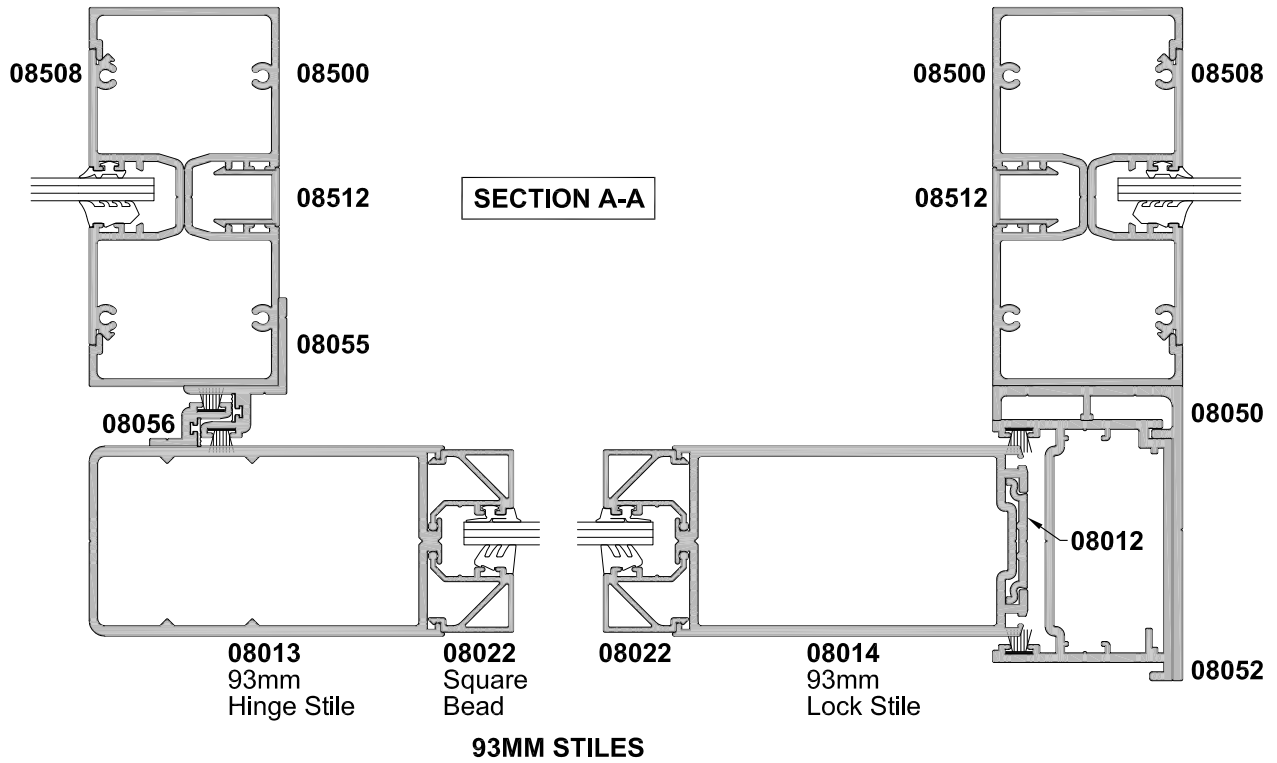
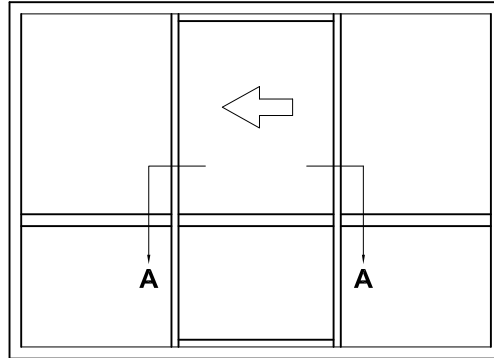


**MAGNUM 50
SLIDING DOOR
INTO 100MM SHOPFRONT
CROSS SECTION**

CAD REF. VCMD10-0

DATE
01.06.11

SCALE
1:2



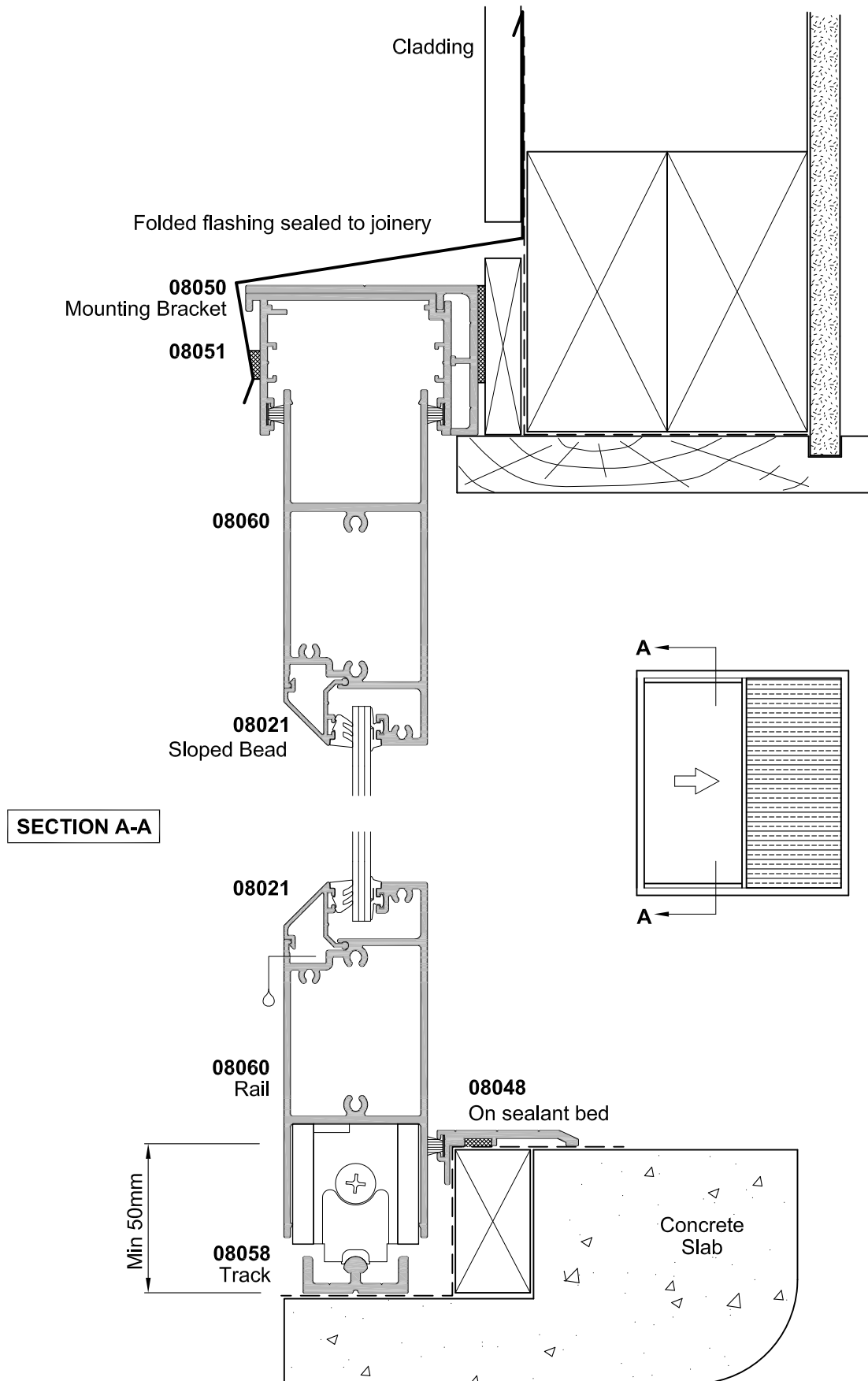


MAGNUM 50 SLIDING DOOR OVER WALL CROSS SECTION

CAD REF. VCMD11-0

DATE
01.06.11

SCALE
1:2



NOTE: This detail is indicative only and will differ for various claddings and building in situations. Contact Technical Advisory Service for more information

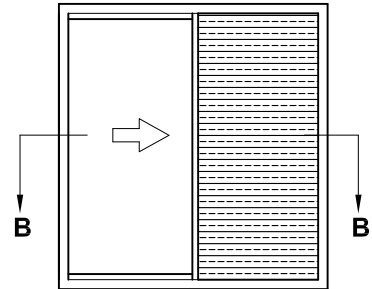


**MAGNUM 50
SLIDING DOOR OVER WALL
CROSS SECTION**

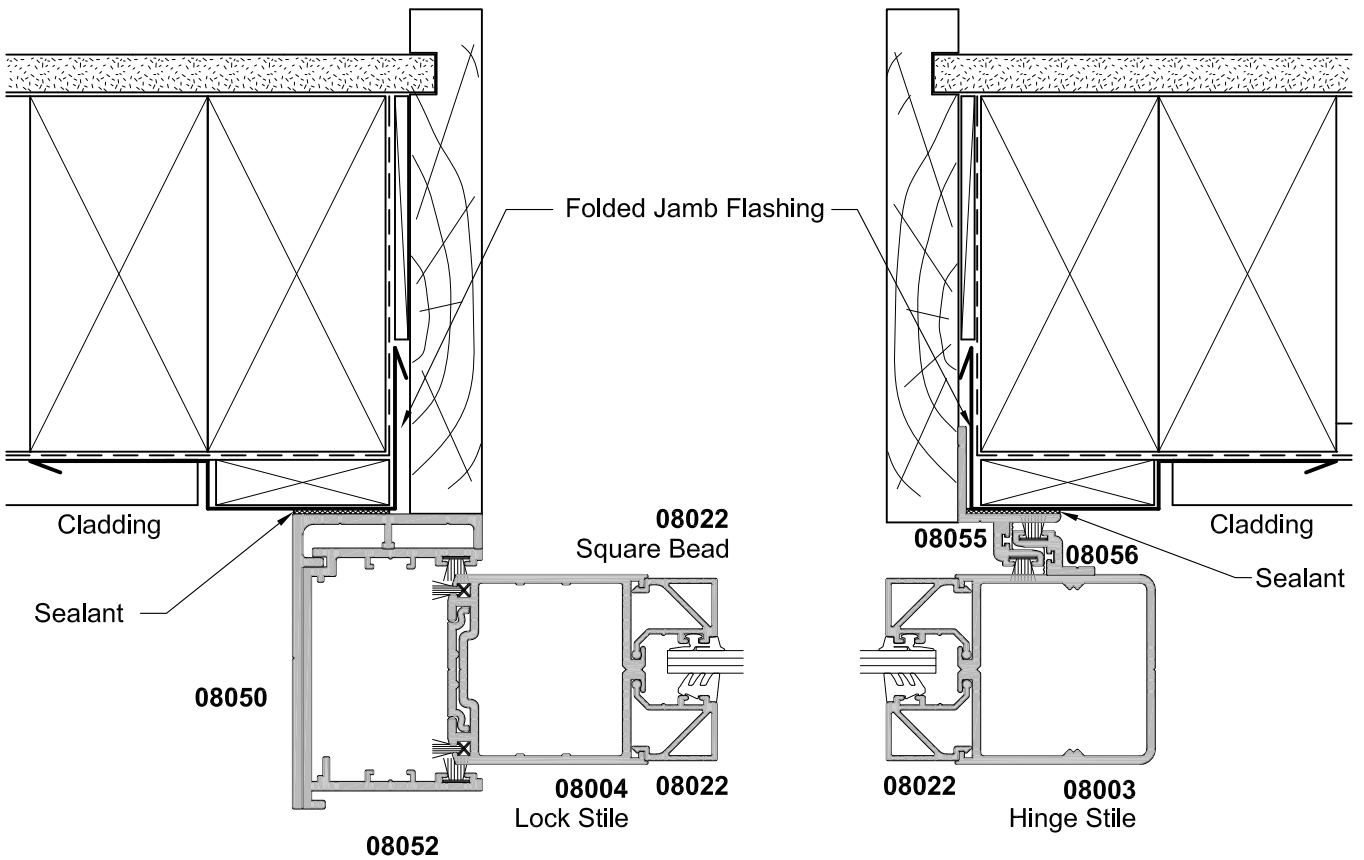
CAD REF. VCMD12-0

DATE
01.06.11

SCALE
1:2



SECTION B-B



NOTE: This detail is typical only and may differ for various claddings and building in situations.
Contact Technical Advisory Service for more information

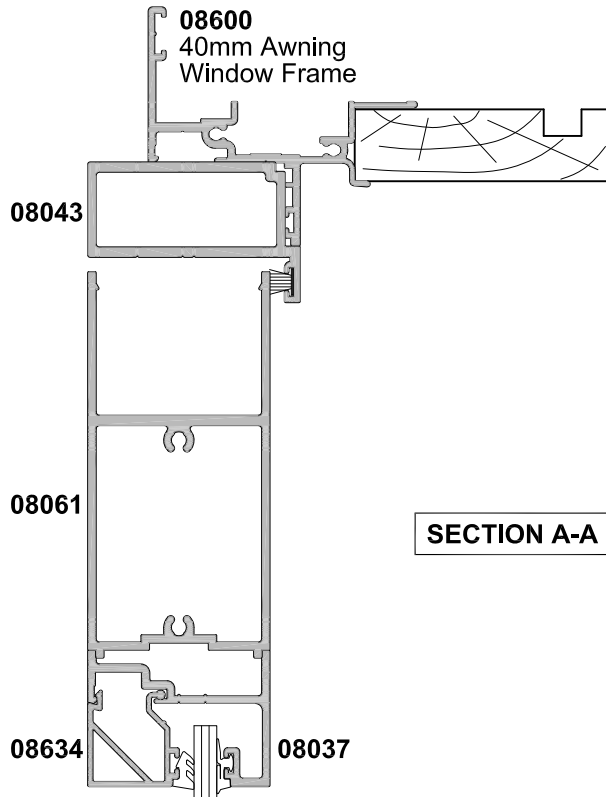


**MAGNUM 50
HINGED DOOR INTO 40MM SUITE
CROSS SECTION**

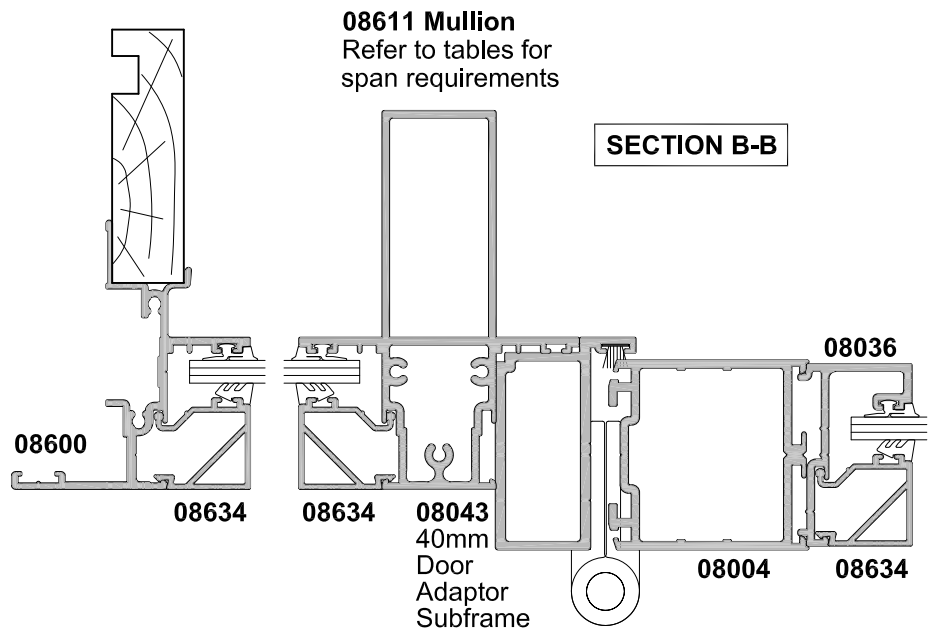
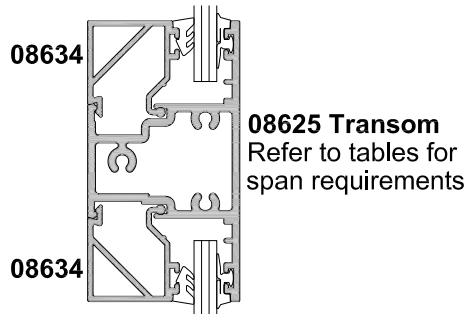
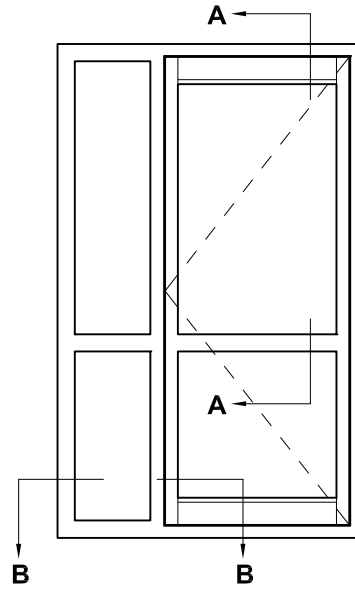
CAD REF. VCMD13-0

DATE
01.06.11

SCALE
1:2



SECTION A-A



SECTION B-B

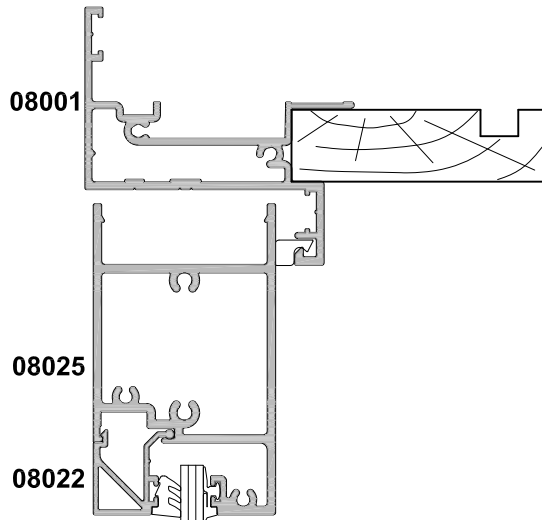


**MAGNUM 50
HINGED DOOR
WITH COMPOSITE VISION RAIL
CROSS SECTION**

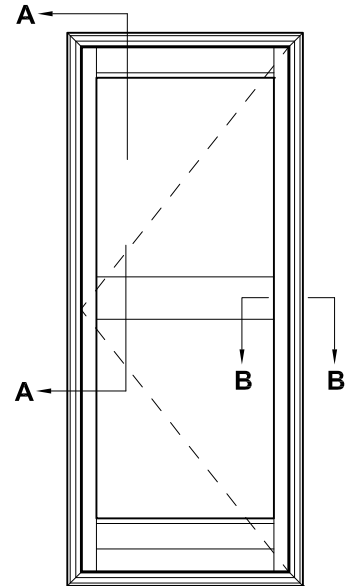
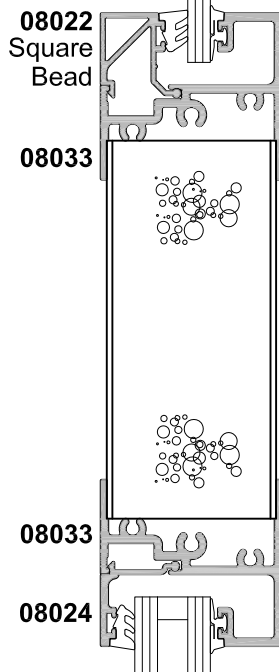
CAD REF. VCMD14-0

DATE
01.06.11

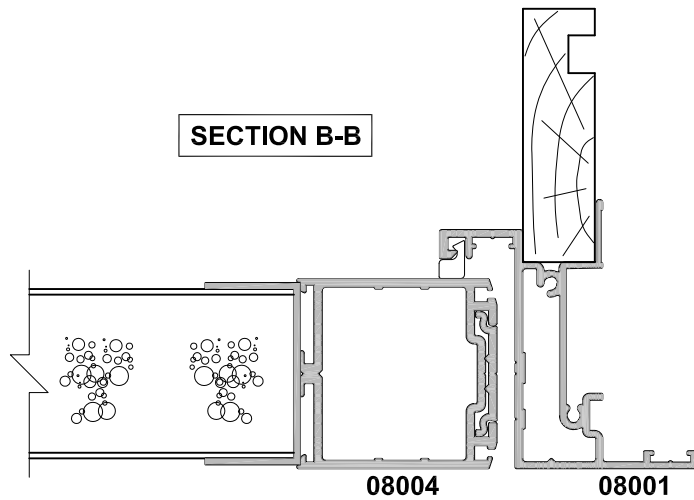
SCALE
1:2



SECTION A-A



SECTION B-B



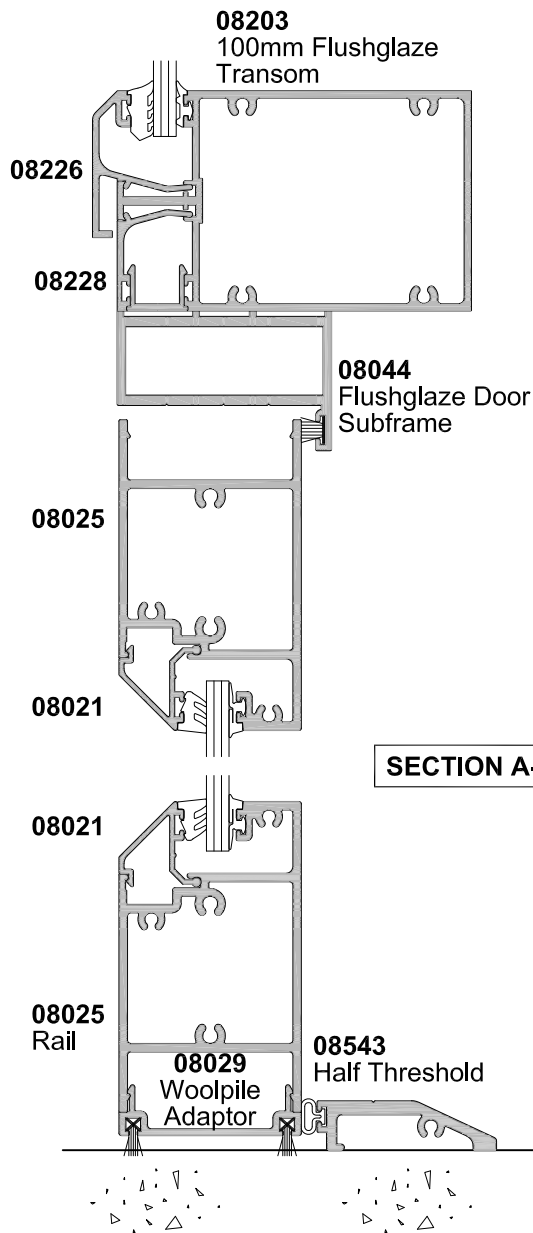


**MAGNUM 50
HINGED DOOR
INTO 100MM FLUSHGLAZE**
CROSS SECTION

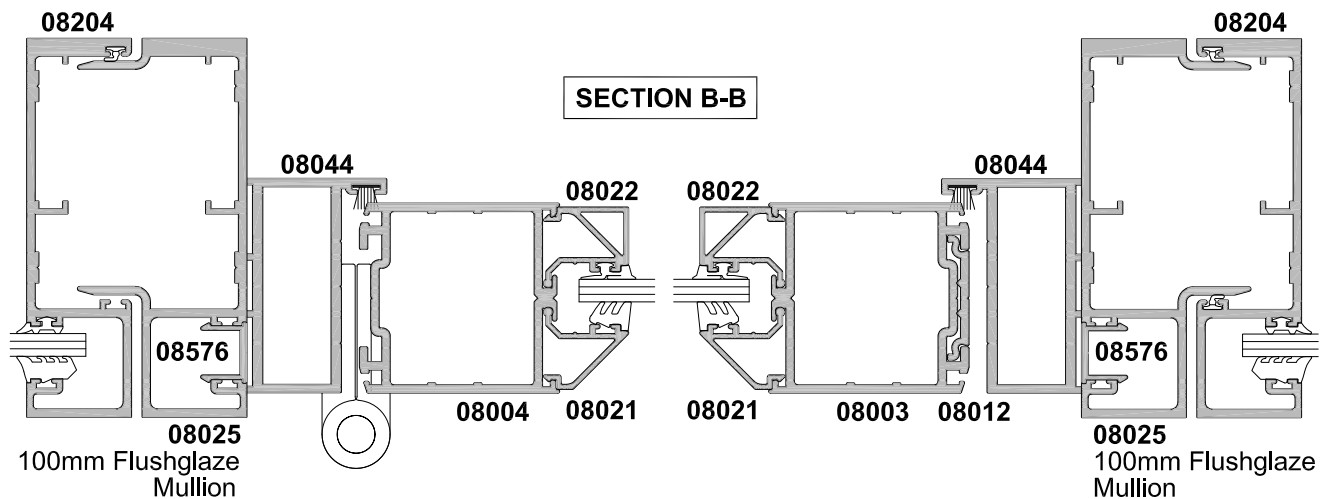
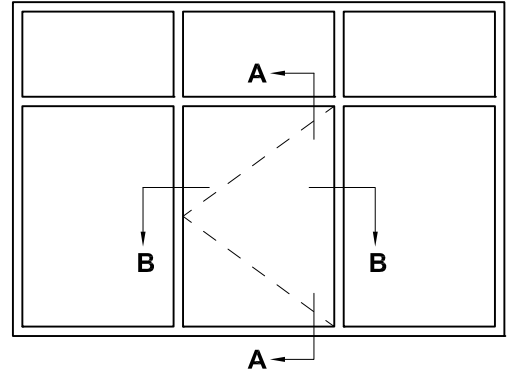
CAD REF. VCMD15-0

DATE
01.06.11

SCALE
1:2



SECTION A-A



SECTION B-B



**MAGNUM 50
OPEN OUT HINGED DOOR
WITH ARCHITECTURAL DOOR PANEL
CROSS SECTION**

CAD REF. VCMD16-0

DATE
01.06.11

SCALE
1:2

