

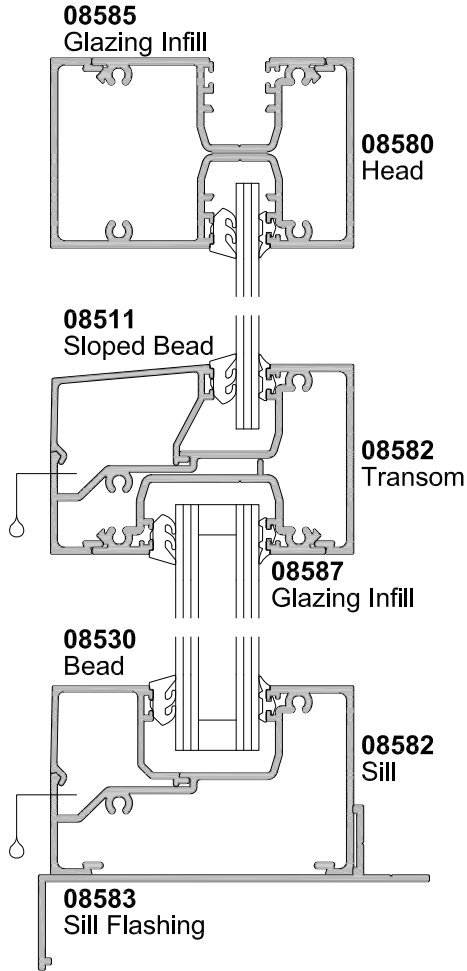


**80MM SHOPFRONT  
MAGNUM 50 HINGED DOOR  
CROSS SECTION**

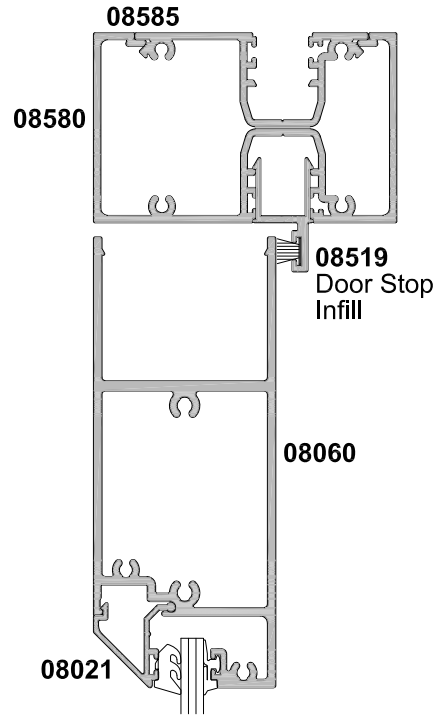
CAD REF. VCSF02-0

DATE  
01.06.11

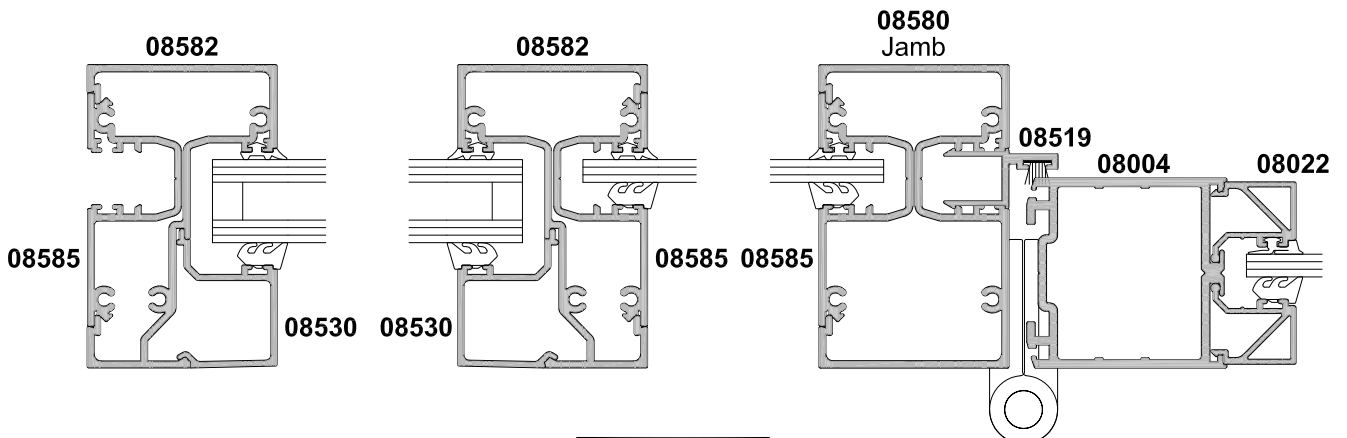
SCALE  
1:2



**SECTION A-A**



**SECTION C-C**



**SECTION B-B**

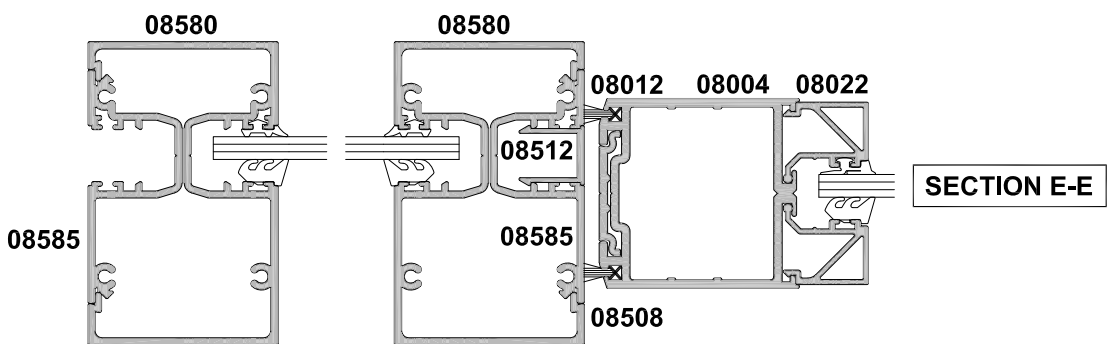
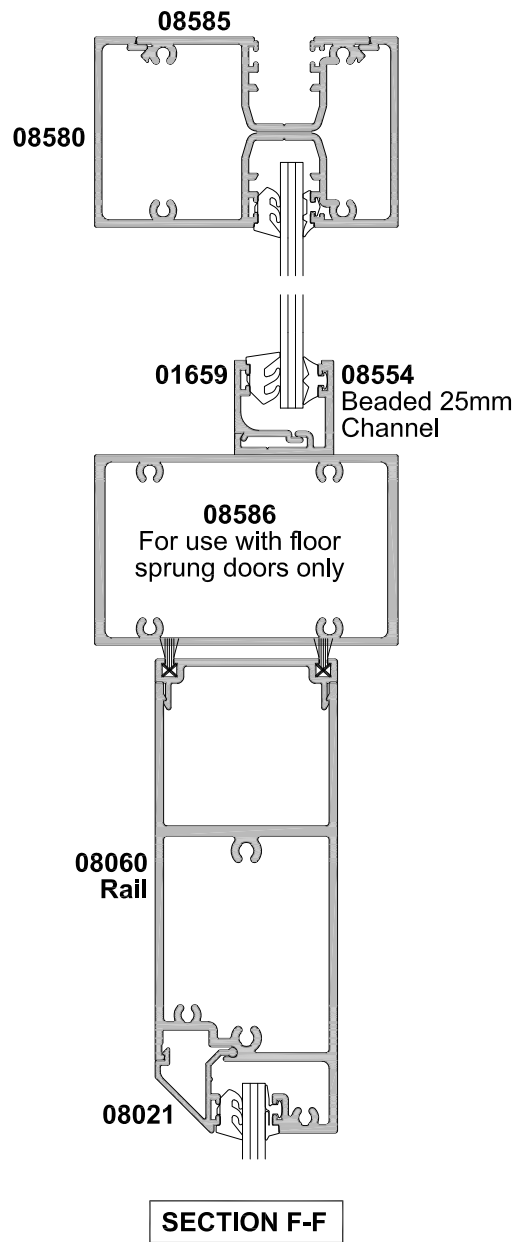
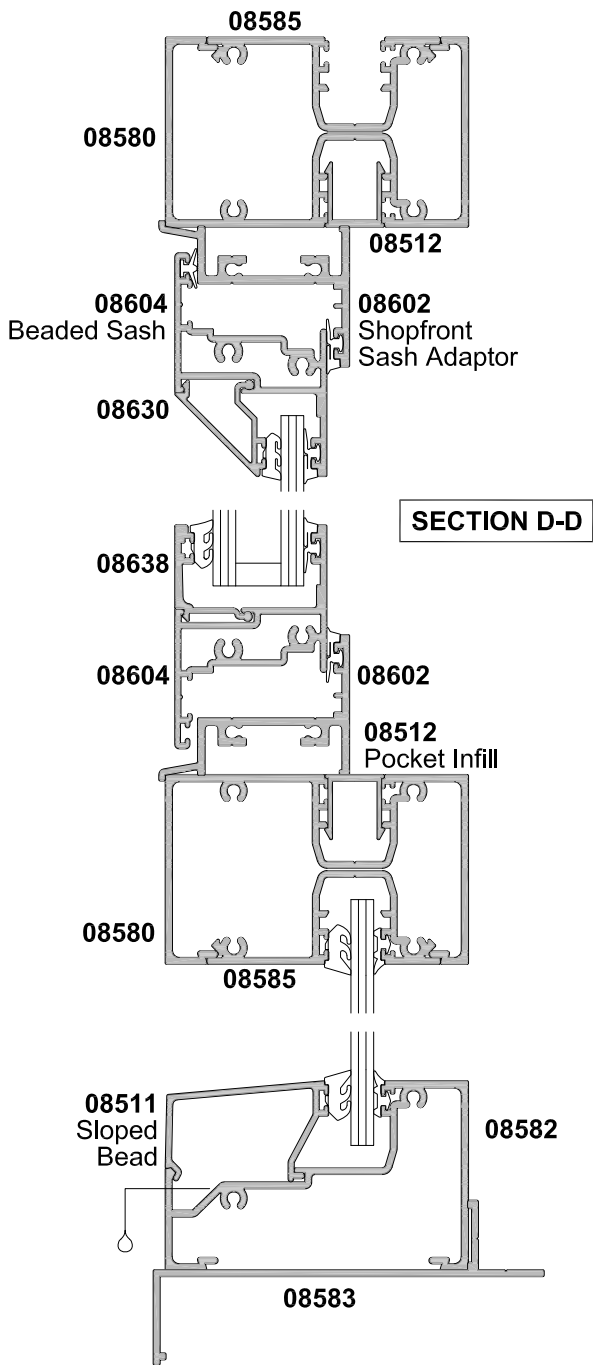


**80MM SHOPFRONT  
40MM AWNING WINDOW  
AND MAGNUM 50 PIVOT DOOR**  
CROSS SECTION

CAD REF. VCSF03-0

DATE  
01.06.11

SCALE  
1:2



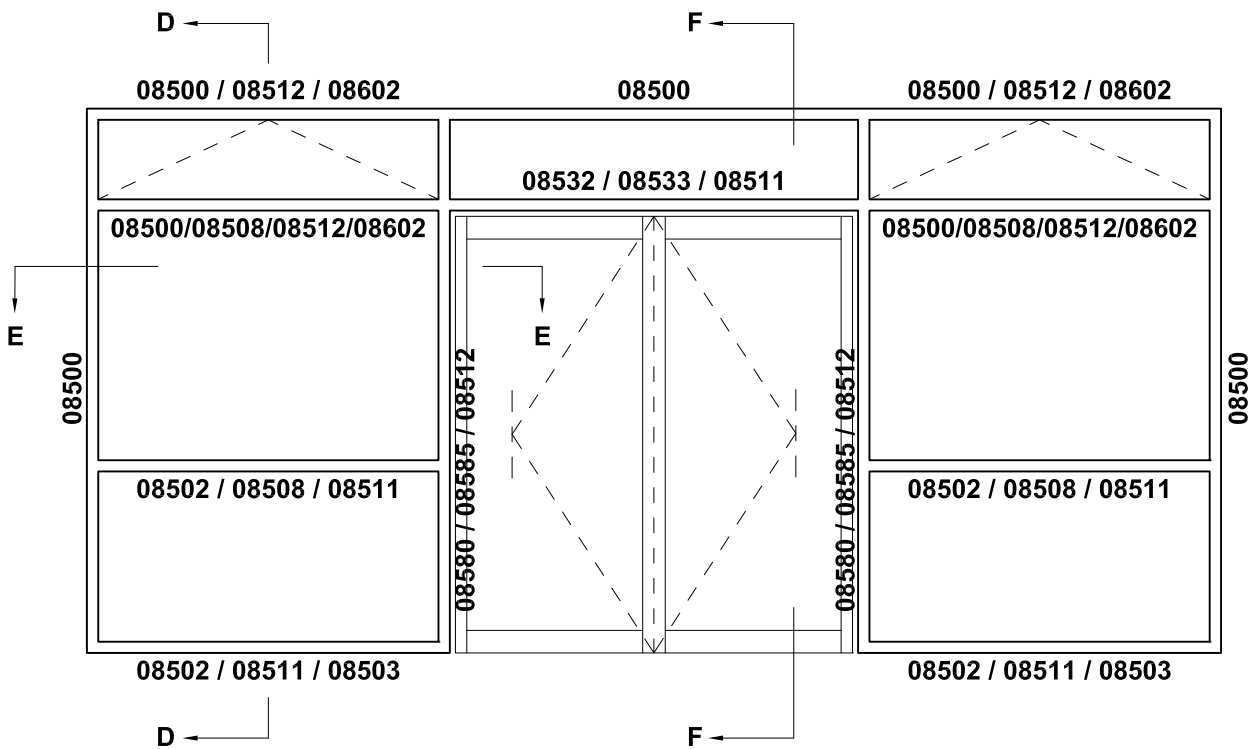
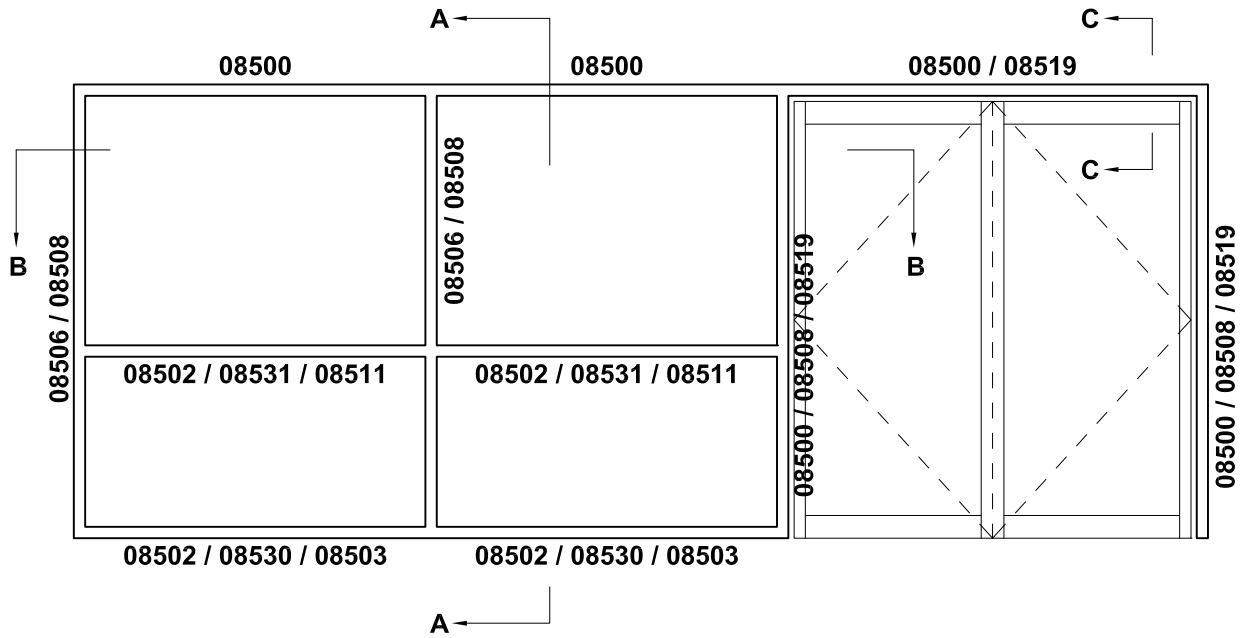


# 100MM SHOPFRONT CONFIGURATIONS

CAD REF. VCSF04-0

DATE  
01.06.11

SCALE  
NTS



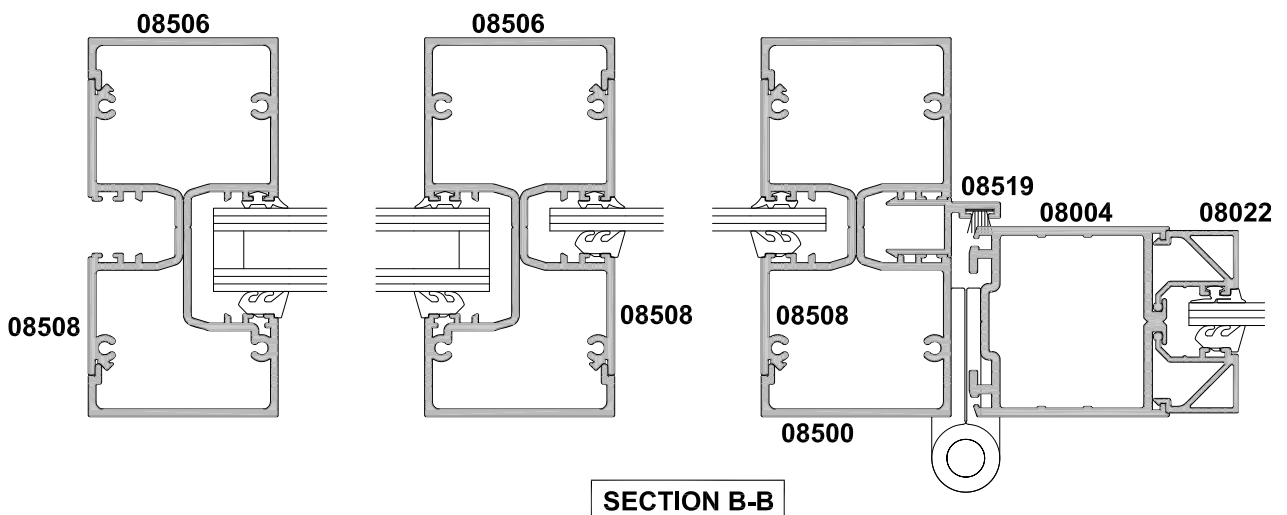
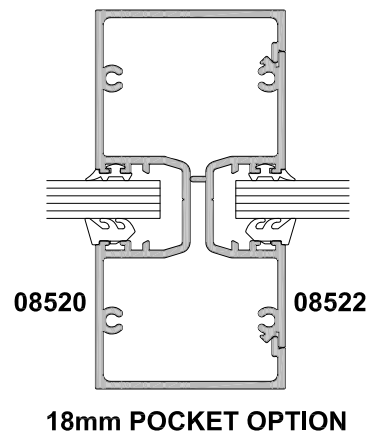
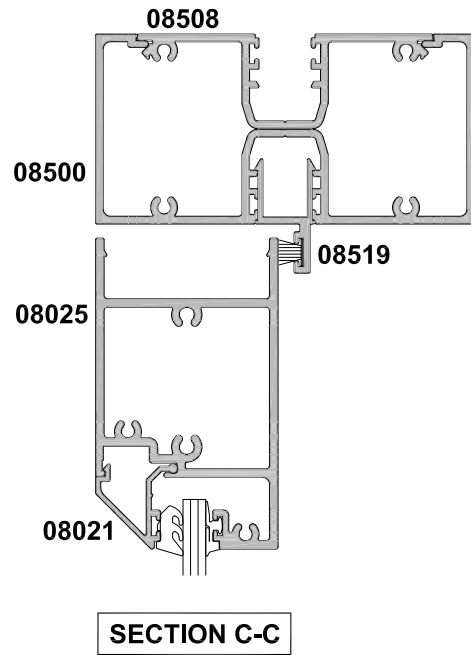
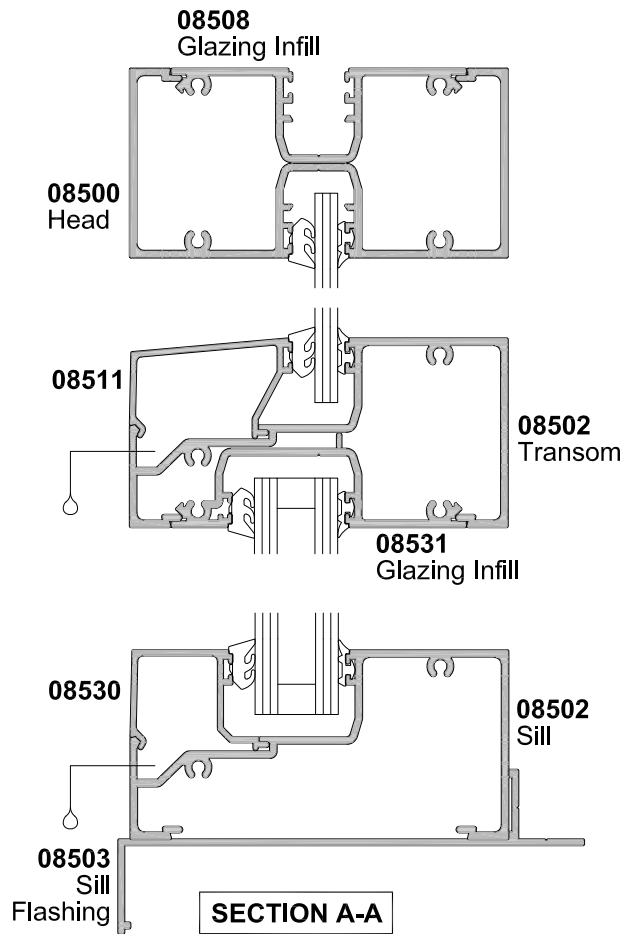


**100MM SHOPFRONT  
MAGNUM 50 HINGED DOOR  
CROSS SECTION**

CAD REF. VCSF05-0

DATE  
01.06.11

SCALE  
1:2



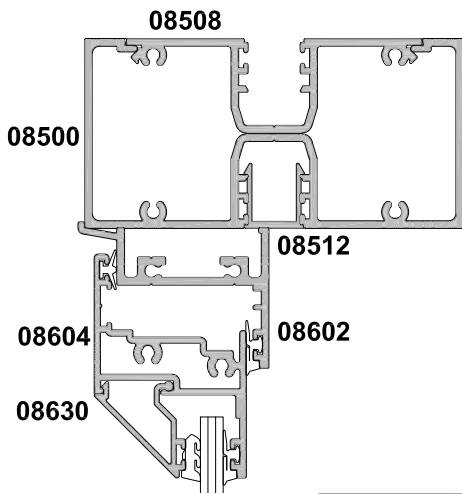


**100MM SHOPFRONT  
40MM AWNING WINDOW  
AND MAGNUM 50 PIVOT DOOR  
CROSS SECTION**

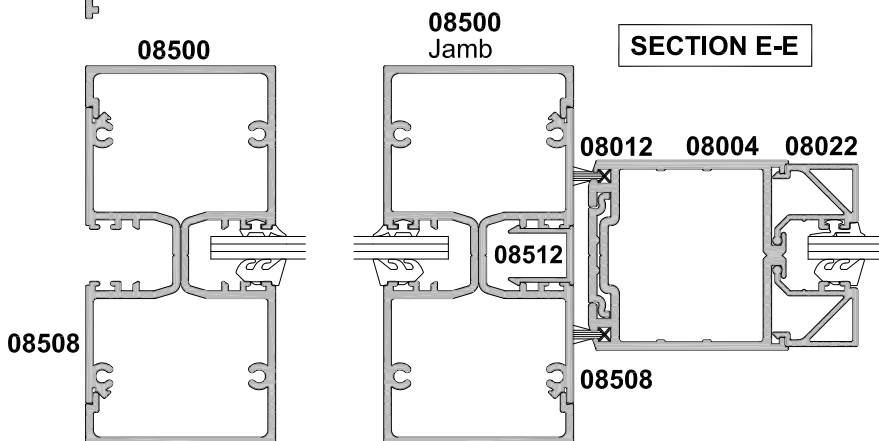
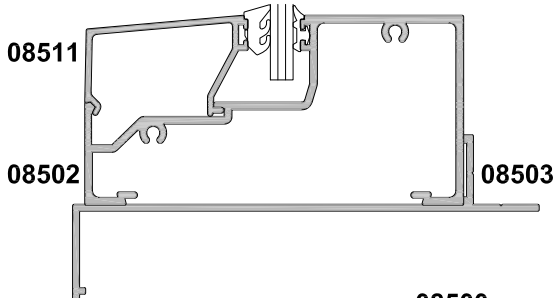
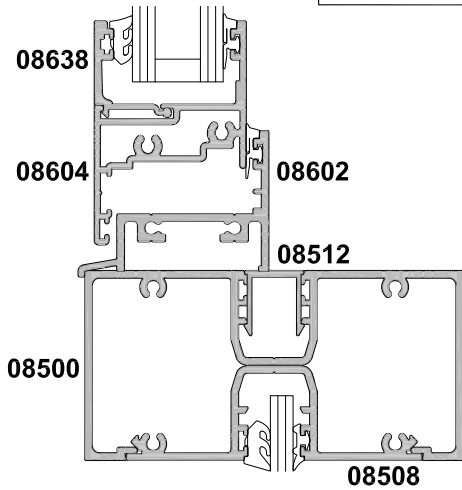
CAD REF. VCSF06-0

DATE  
01.06.11

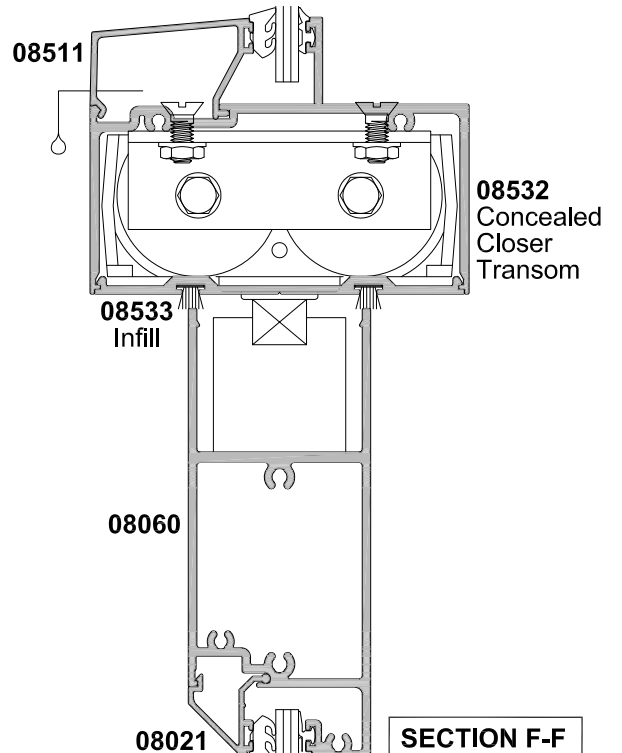
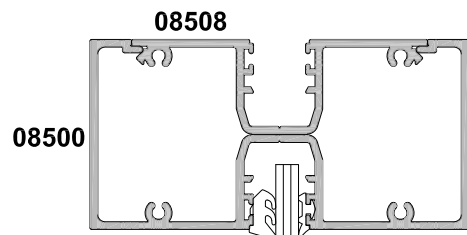
SCALE  
1:2



**SECTION D-D**

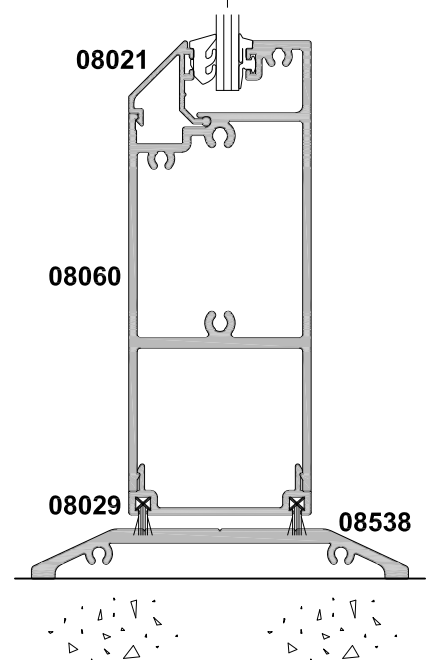


**SECTION E-E**



**08532  
Concealed  
Closer  
Transom**

**SECTION F-F**



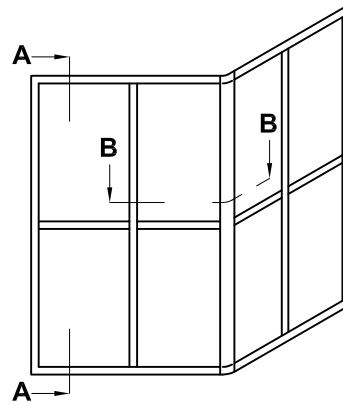
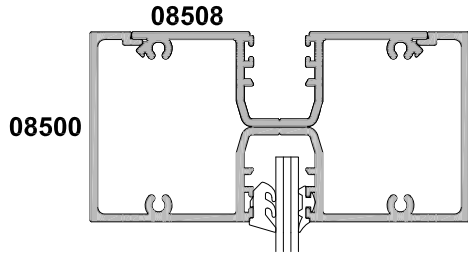


**100MM SHOPFRONT  
BOX TRANSOM,  
SPLIT MULLION, FACET & 90° CORNERS**  
CROSS SECTION

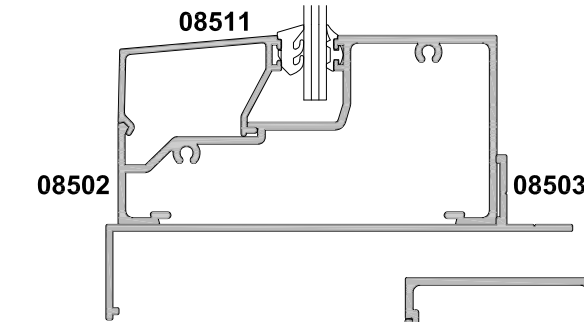
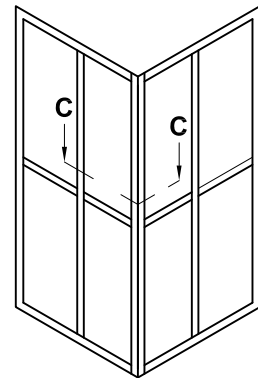
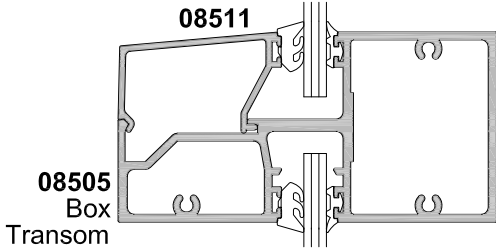
CAD REF. VCSF07-0

DATE  
01.06.11

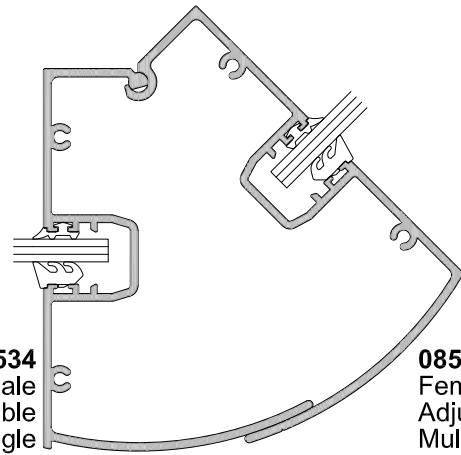
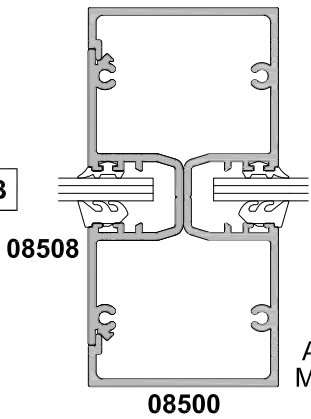
SCALE  
1:2



**SECTION A-A**

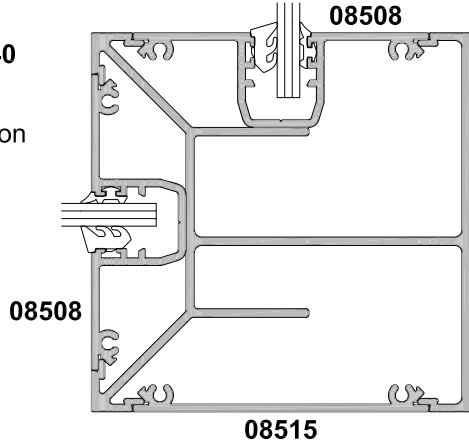
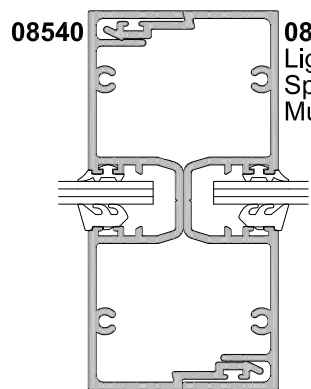
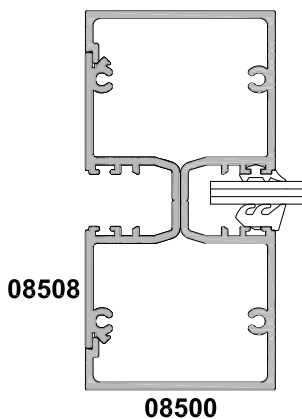


**SECTION B-B**



**08534  
Male  
Adjustable  
Multi Angle  
Mullion**

**08535  
Female  
Adjustable  
Multi Angle  
Mullion**



**SECTION C-C**

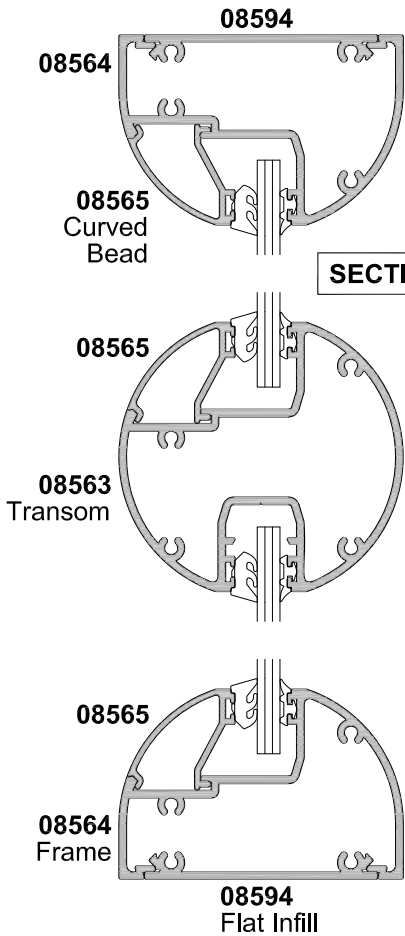


**MODE SHOPFRONT**  
CROSS SECTION

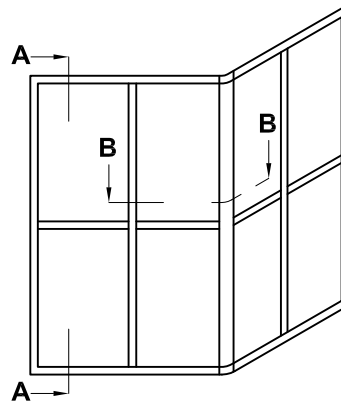
CAD REF. VCSF08-0

DATE  
01.06.11

SCALE  
1:2

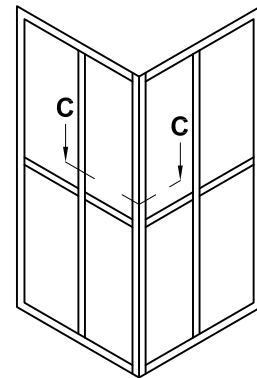


**SECTION A-A**

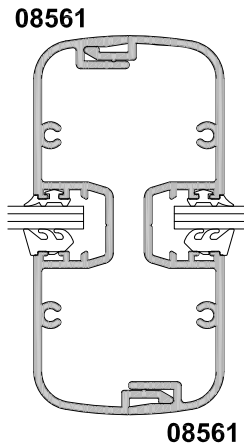


**Note -**

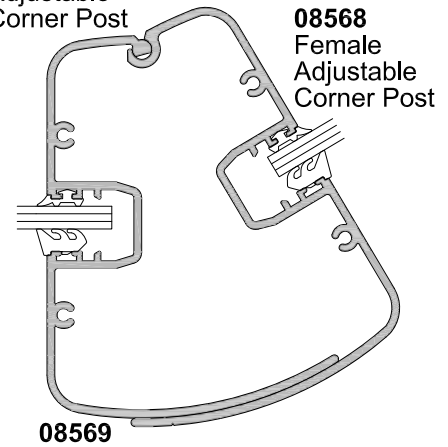
Only use this product for internal partitioning or external balustrade.



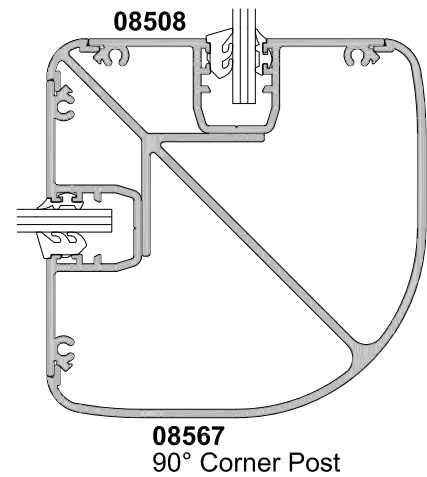
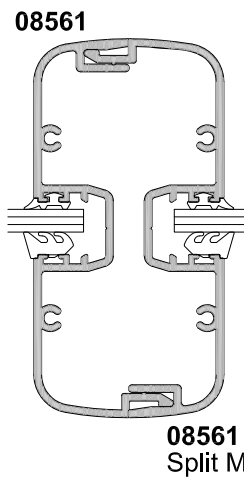
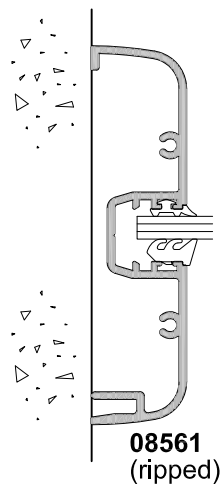
**SECTION B-B**



**08569**  
Male  
Adjustable  
Corner Post



**SECTION C-C**



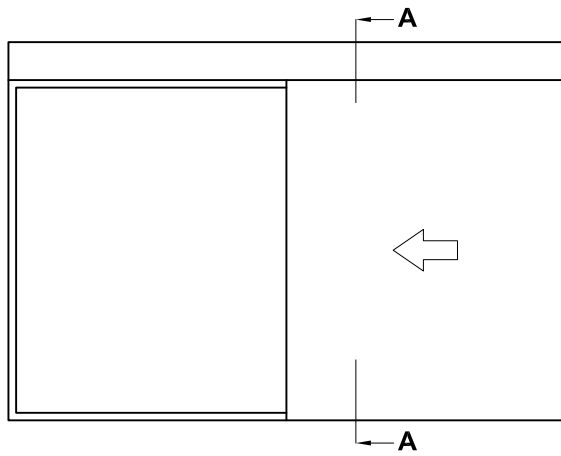


**25MM GLAZING CHANNEL SUITE**  
CROSS SECTION

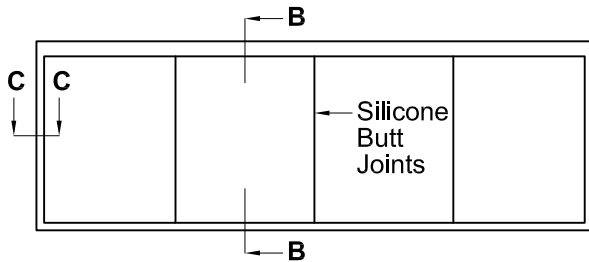
CAD REF. VCSF09-0

DATE  
01.06.11

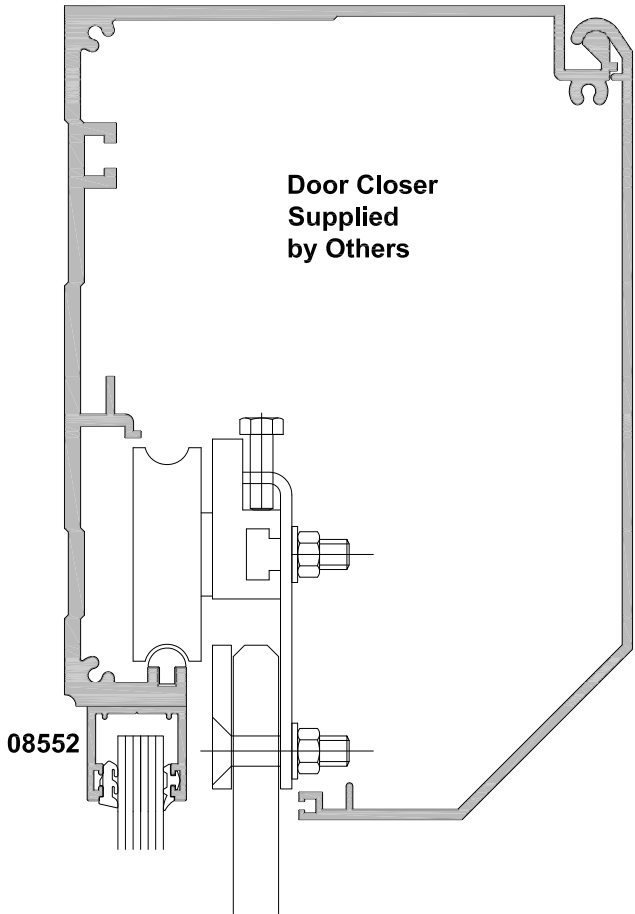
SCALE  
1:2



**SLIDING DOOR**

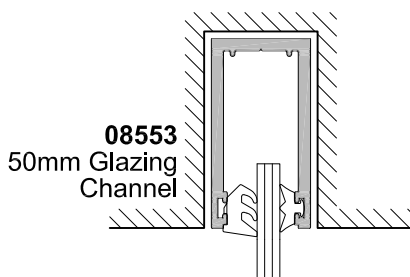


**WINDOW**

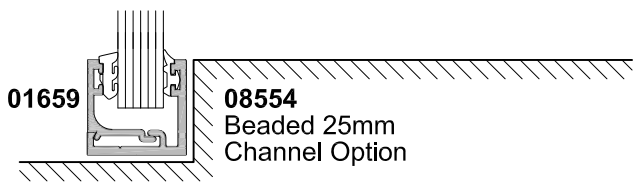


**Door Closer  
Supplied  
by Others**

08552

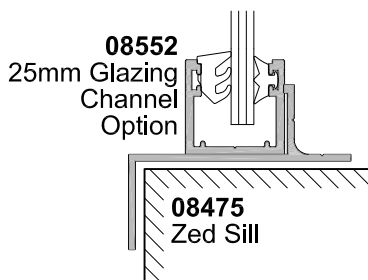


**08553**  
50mm Glazing  
Channel



**01659** **08554**  
Beaded 25mm  
Channel Option

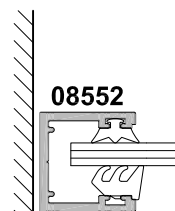
**SECTION A-A**



**08552**  
25mm Glazing  
Channel  
Option

**08475**  
Zed Sill

**SECTION B-B**



**08552**

**SECTION C-C**