

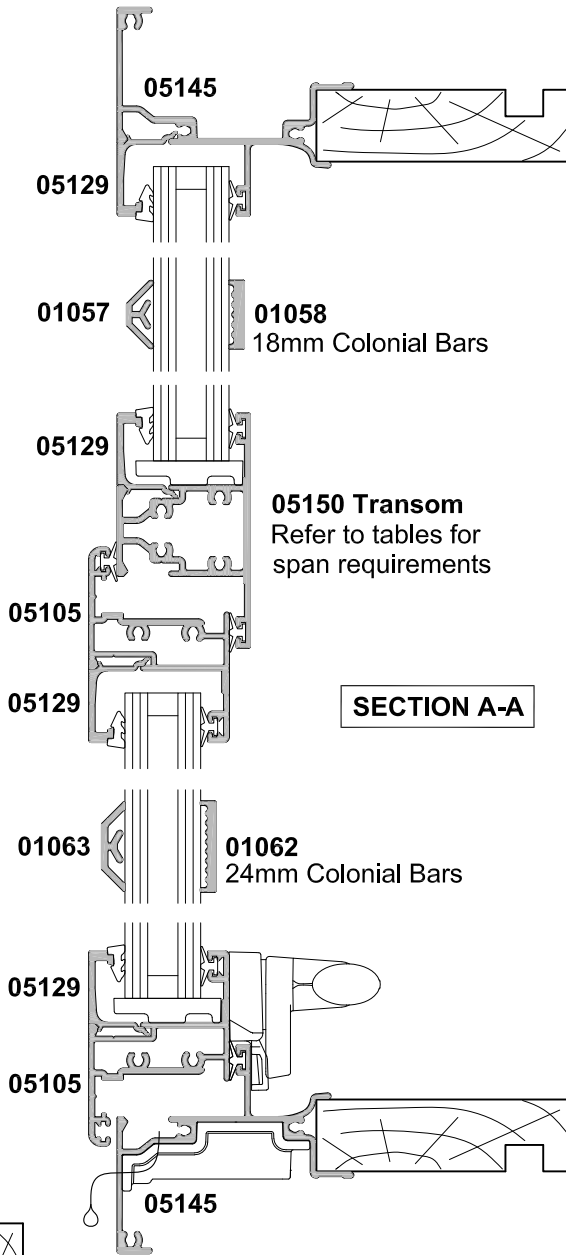


**AWNING WINDOW, BEADED SASH
AND ESPAGNOLETTE SASH OPTION**
CROSS SECTION

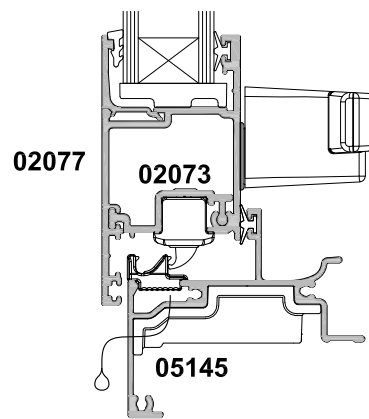
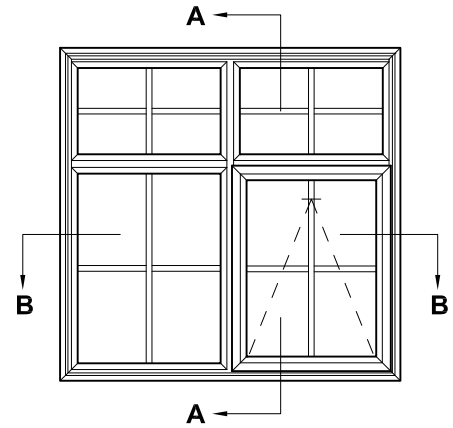
CAD REF. VAW01-0

DATE
01.04.19

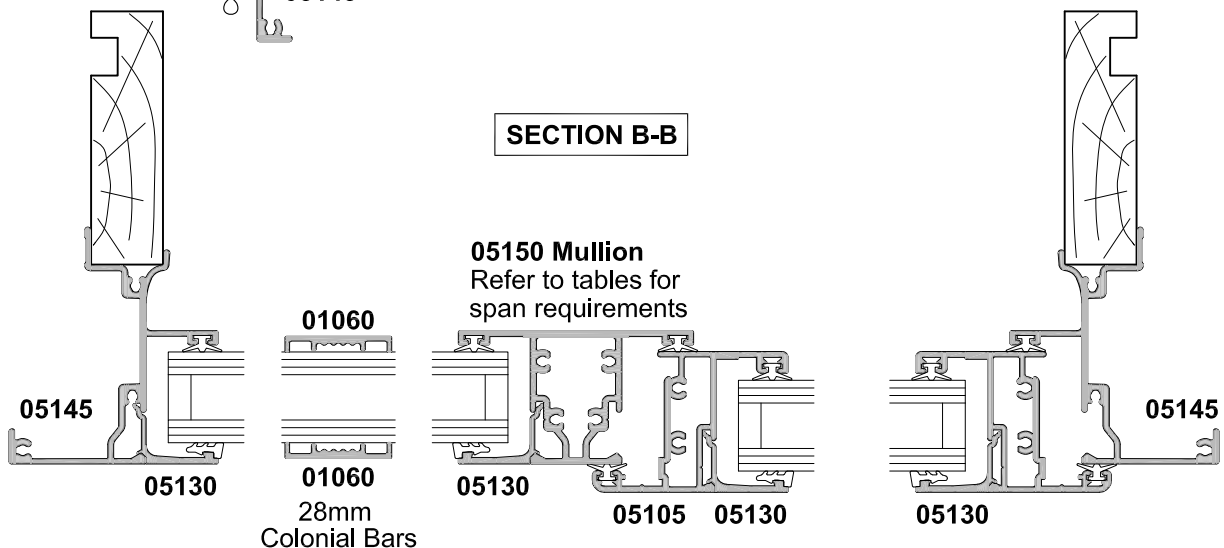
SCALE
1:2



SECTION A-A



ESPAGNOLETTE SASH OPTION



SECTION B-B

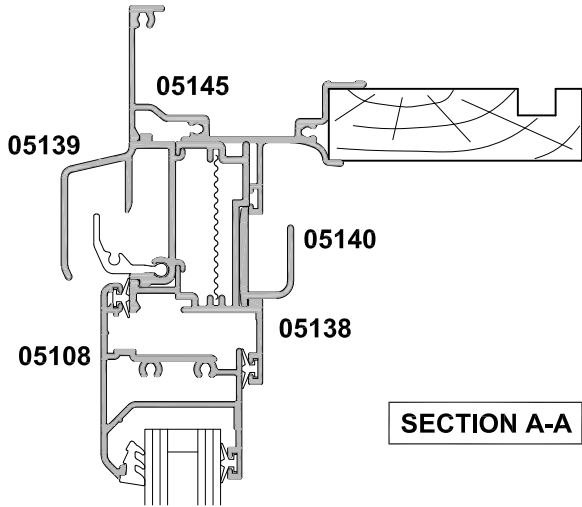


**AWNING WINDOW, DOUBLE GLAZED
VENTED SASH AND AEROVENT
CROSS SECTION**

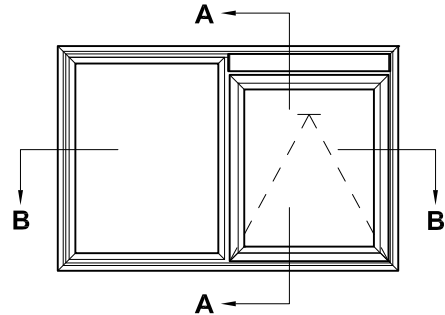
CAD REF. VAW02-0

DATE
01.04.19

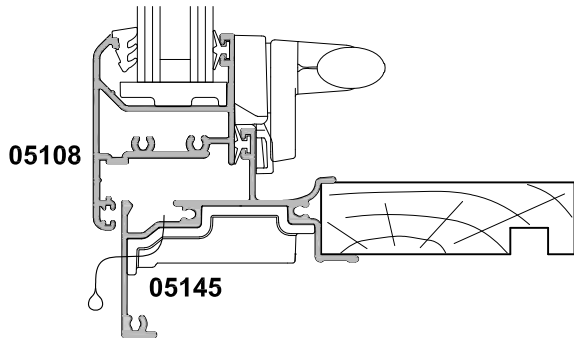
SCALE
1:2



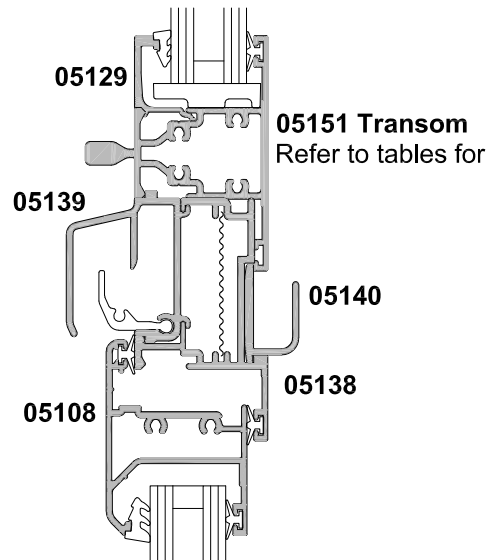
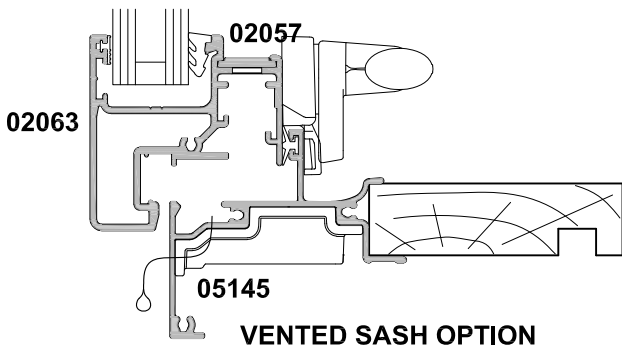
SECTION A-A



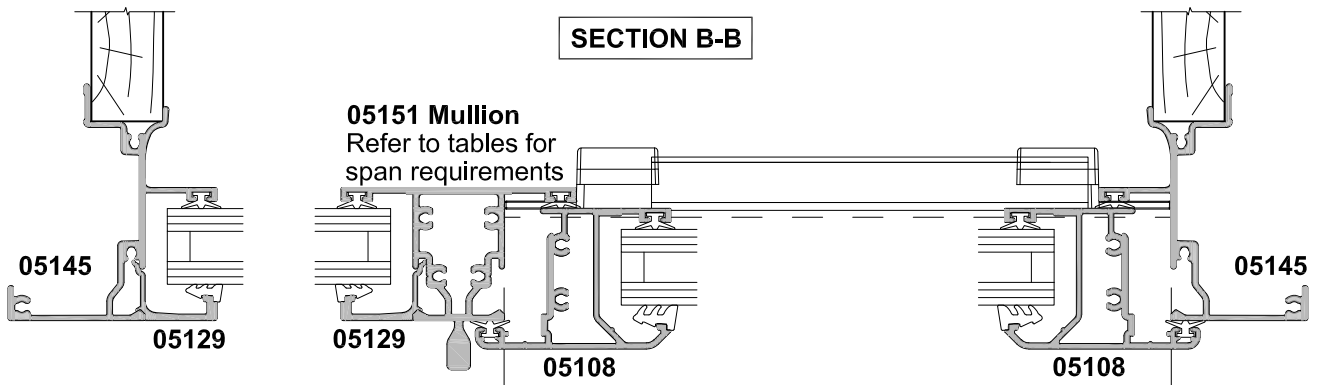
Due to clearance issues it is not recommended to have casement sashes below Aerovent.



VENTED SASH OPTION



AEROVENT AT TRANSOM OPTION



SECTION B-B

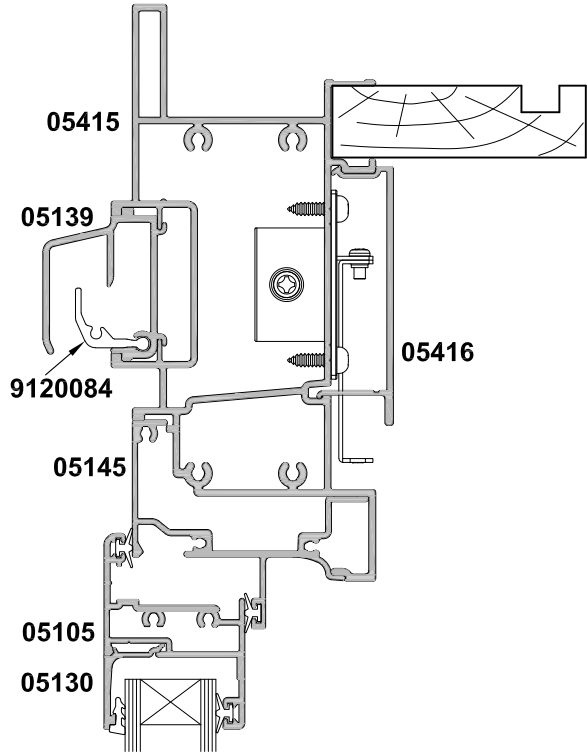


AWNING WINDOW, DOUBLE GLAZED VENTIENT CROSS SECTION

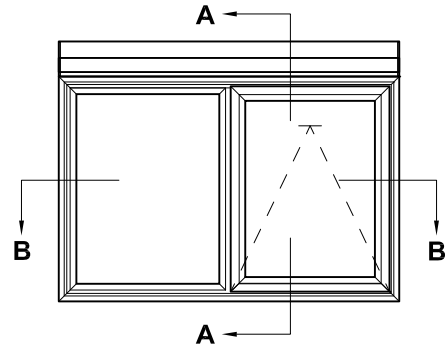
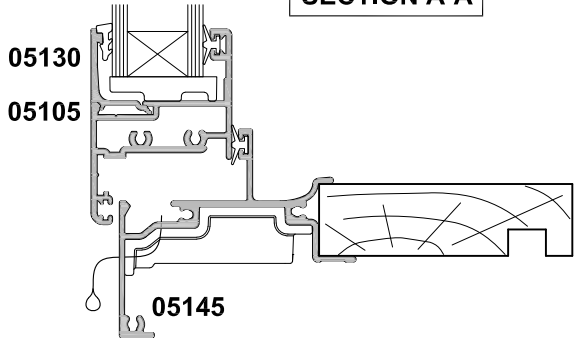
CAD REF. VAW03-0

DATE
01.04.19

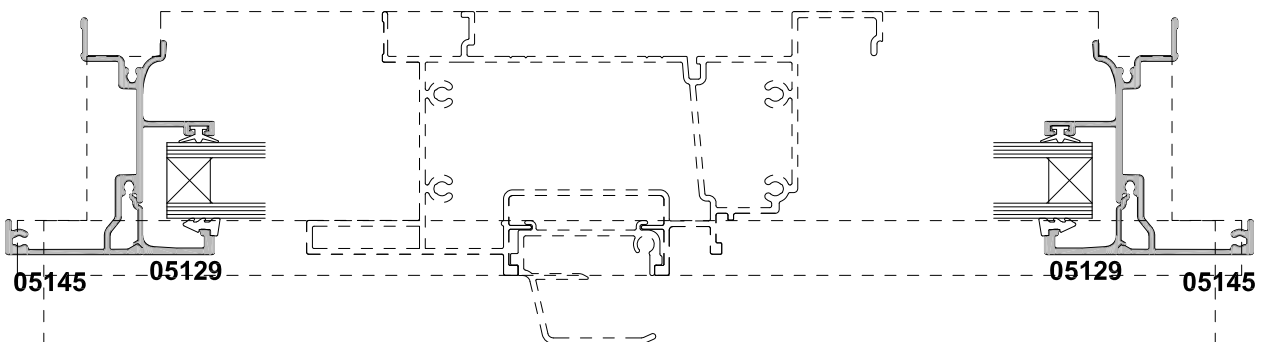
SCALE
1:2



SECTION A-A



SECTION B-B



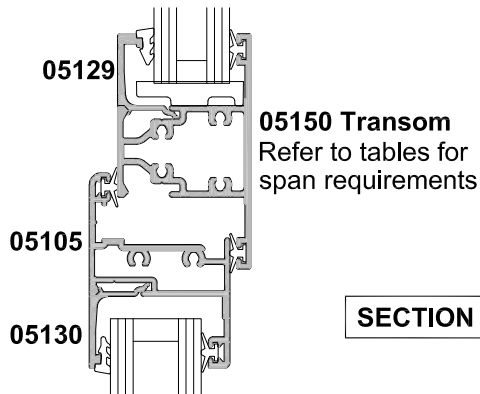
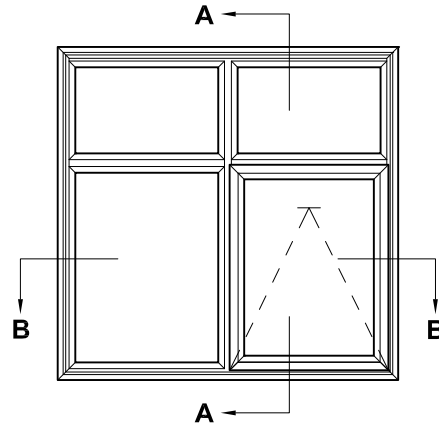
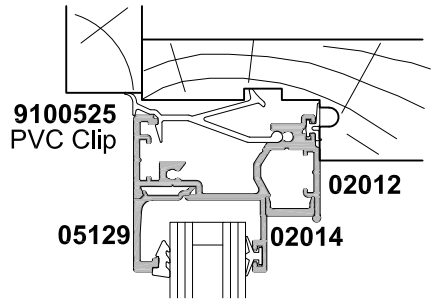


**AWNING WINDOW
REPLACEMENT FRAME AND CHAIR FRAME
CROSS SECTION**

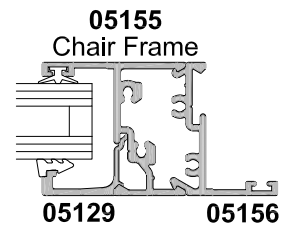
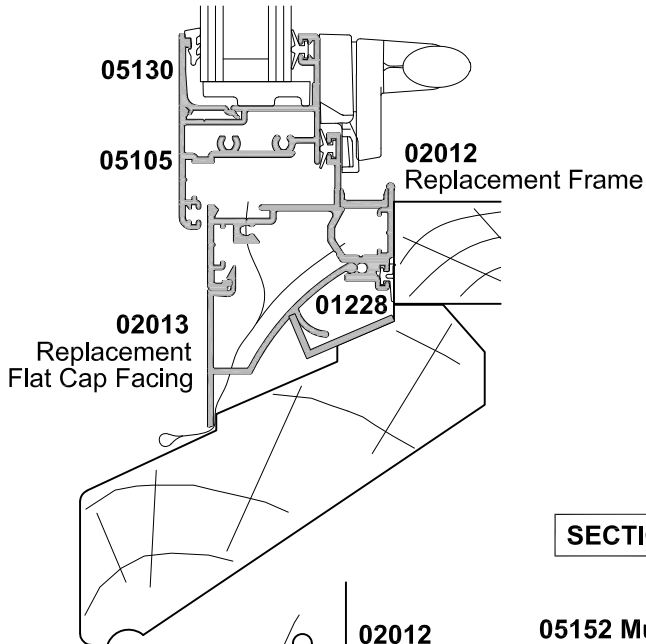
CAD REF. VAW04-0

DATE
01.04.19

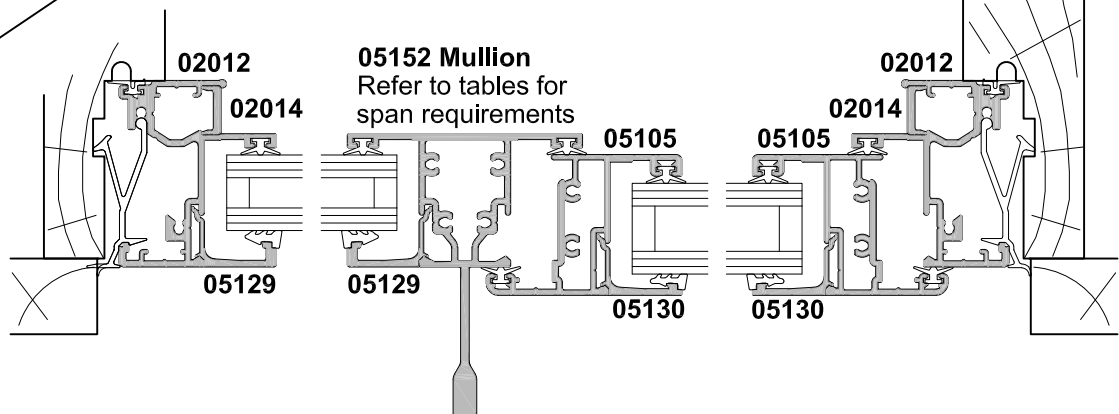
SCALE
1:2



SECTION A-A



SECTION B-B



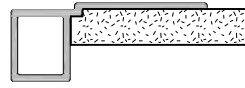
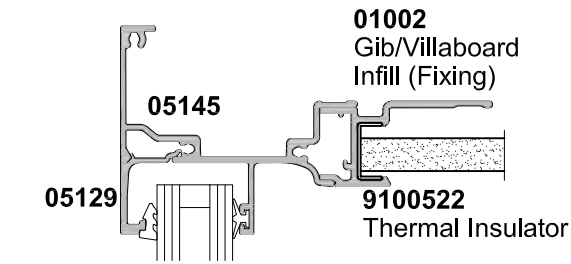


**AWNING WINDOW
90° AND 135° CORNER POSTS AND
LINER ADAPTORS
CROSS SECTION**

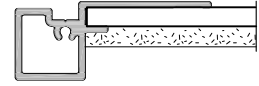
CAD REF. VAW05-0

DATE
01.04.19

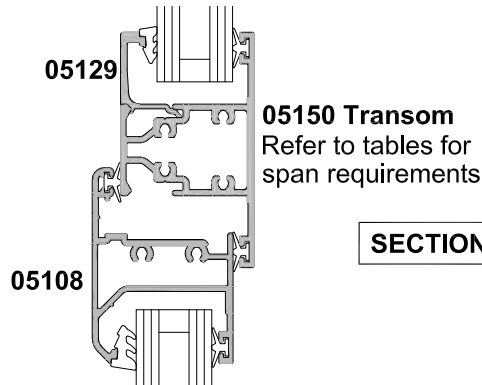
SCALE
1:2



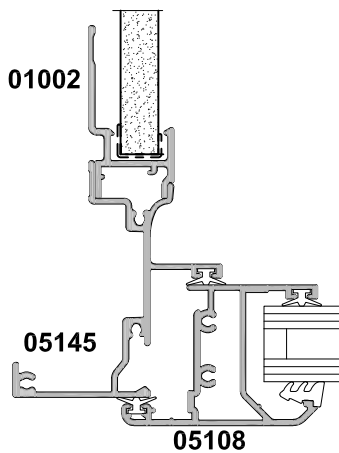
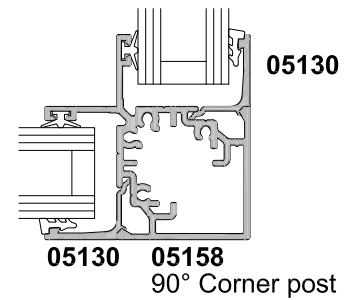
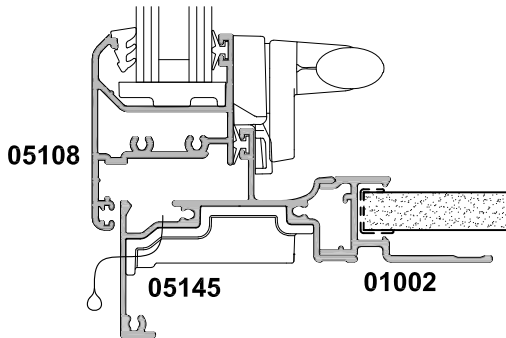
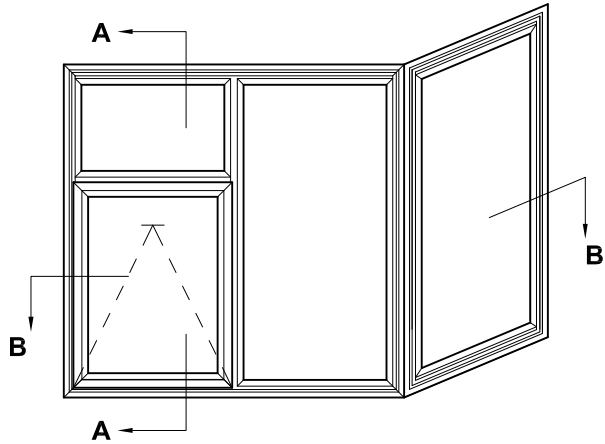
01003
Liner Infill
(Fixing)



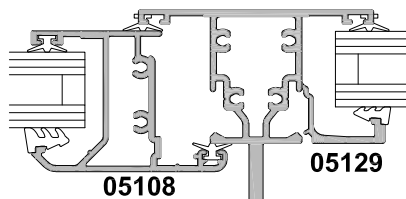
01006
Plaster Liner
Infill (Fixing)



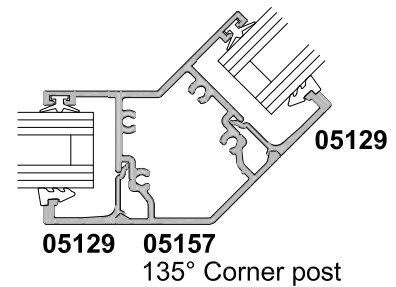
SECTION A-A



05153 Mullion
Refer to tables for
span requirements



SECTION B-B





**CASEMENT WINDOW AND
FRENCH CASEMENT WINDOW,
D/G SASH & FIXED LIGHT
CROSS SECTION**

CAD REF. VAW06-0

DATE
01.04.19

SCALE
1:2

