

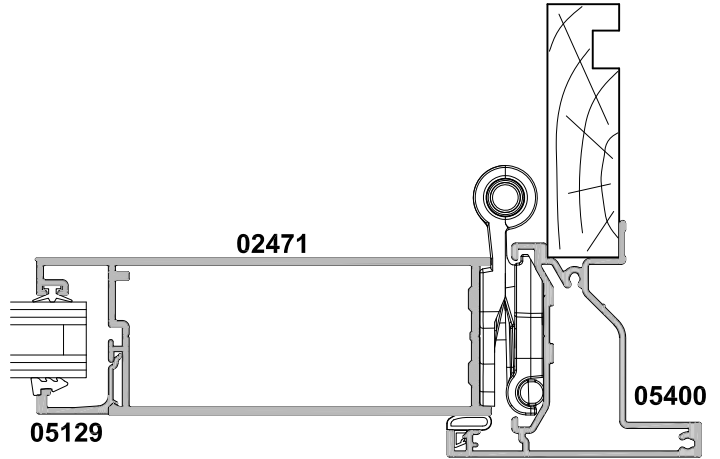
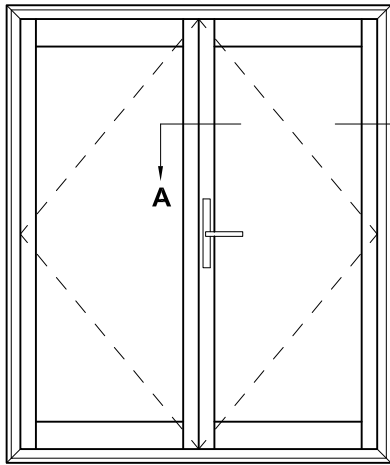


**FRENCH DOOR,
OPEN IN AND OPEN OUT - 120mm STILES
CROSS SECTION**

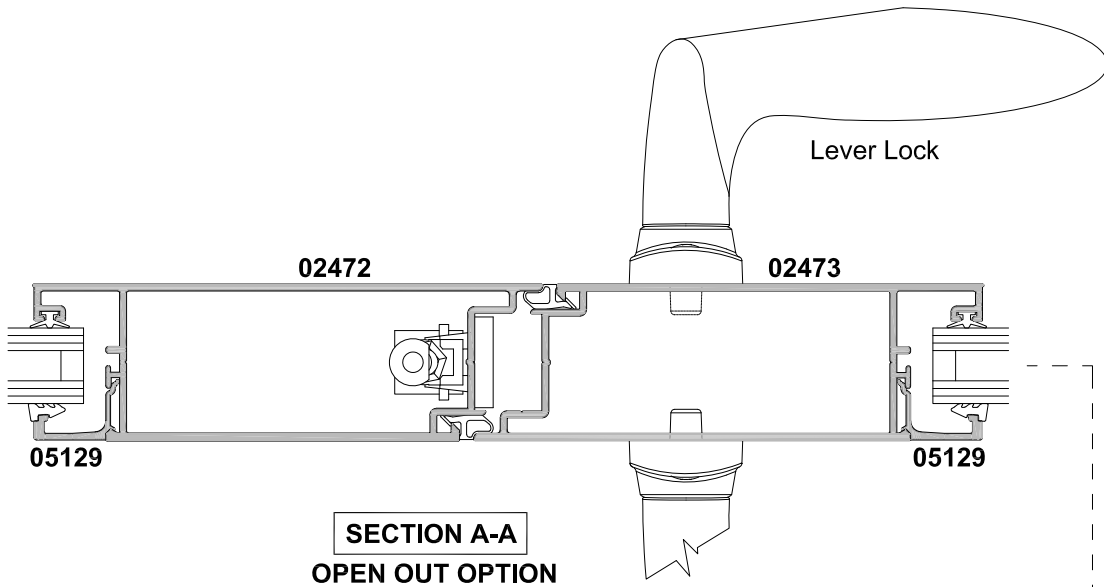
CAD REF. VHD10-0

DATE
01.04.19

SCALE
1:2



**SECTION A-A
OPEN IN OPTION**



**SECTION A-A
OPEN OUT OPTION**

