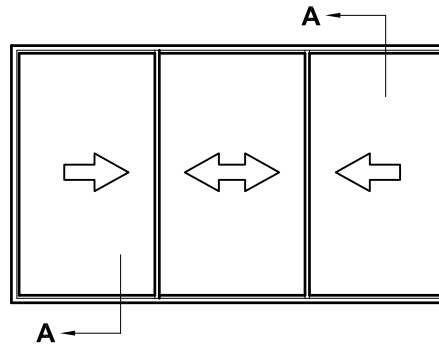
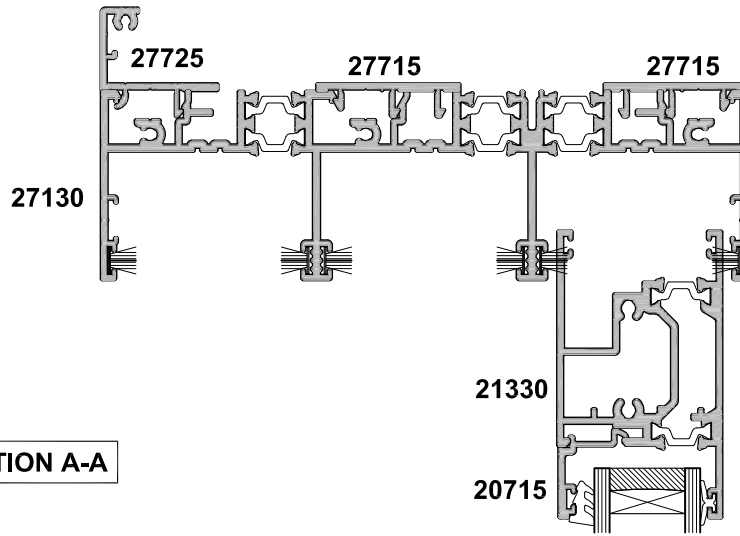


NOTE:

Very High and Extra High wind zones are not applicable as the Channel slider has not achieved a water pass for these zones.



**FLANGE INFILL
OPTION**



SECTION A-A

