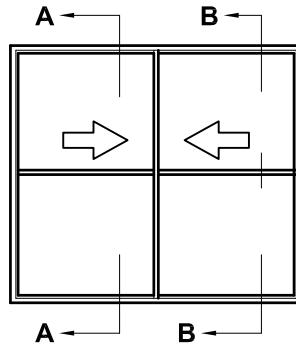
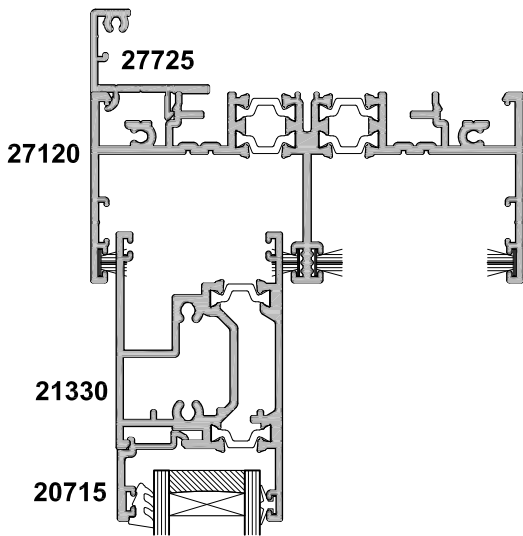


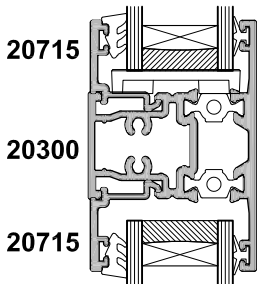
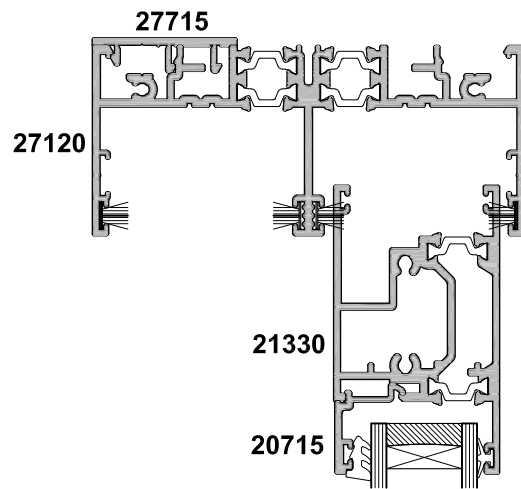
NOTE:
Very High and Extra High wind zones are not applicable as the Channel slider has not achieved a water pass for these zones.



**FLANGE INFILL
OPTION**

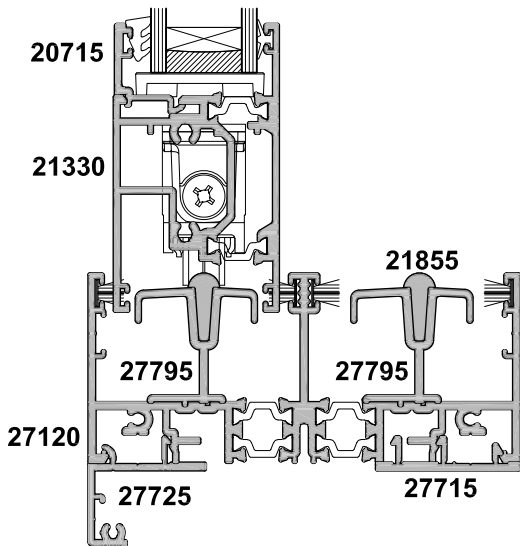
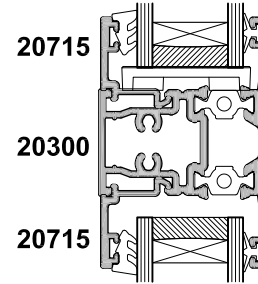


FLAT INFILL OPTION

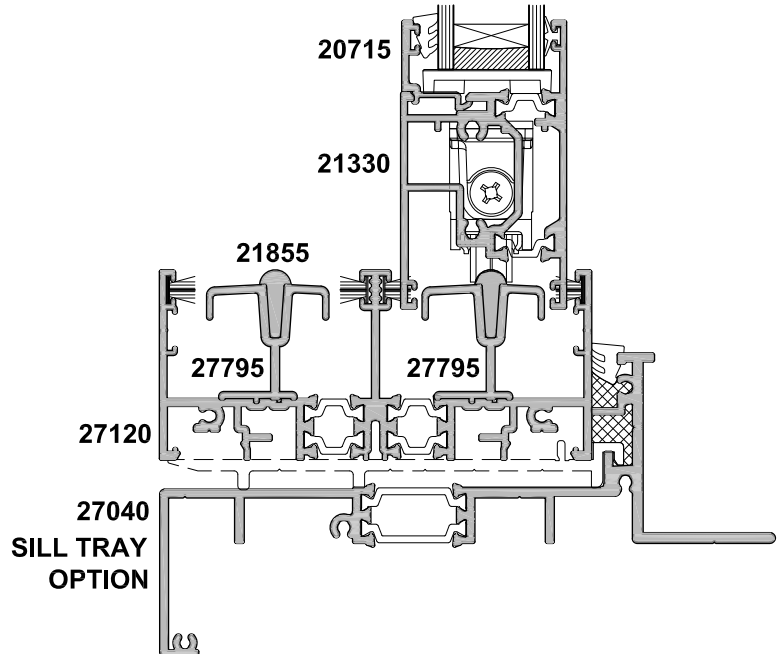


SECTION A-A

SECTION B-B



**FLANGE INFILL
OPTION**



**27040
SILL TRAY
OPTION**