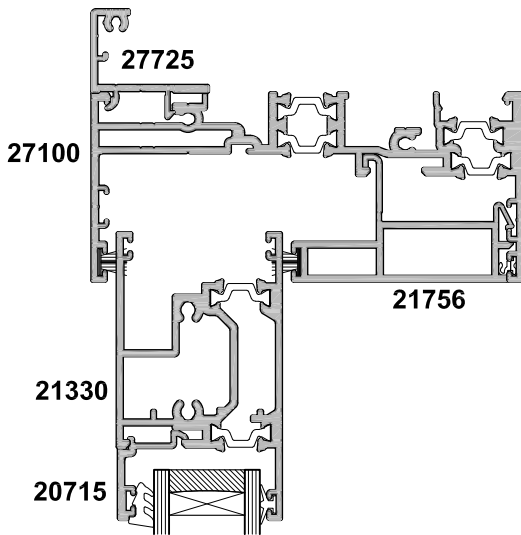
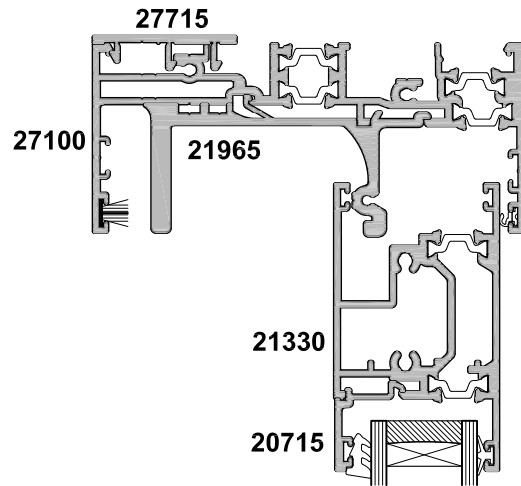


**FLANGE INFILL
OPTION**

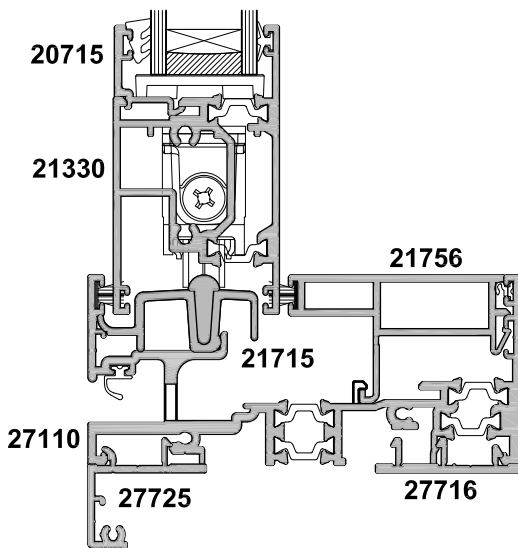


SECTION A-A

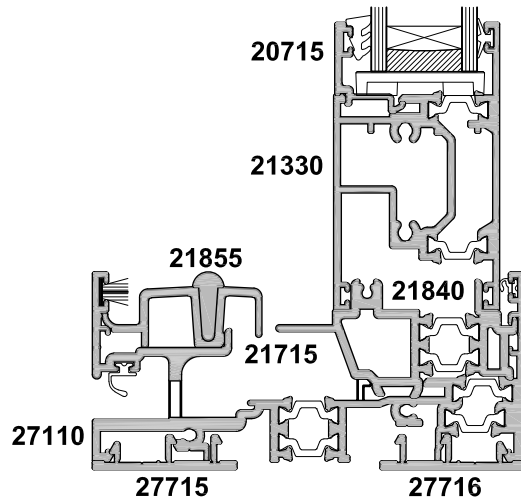
FLAT INFILL OPTION



SECTION B-B



**FLANGE INFILL
OPTION**



FLAT INFILL OPTION