

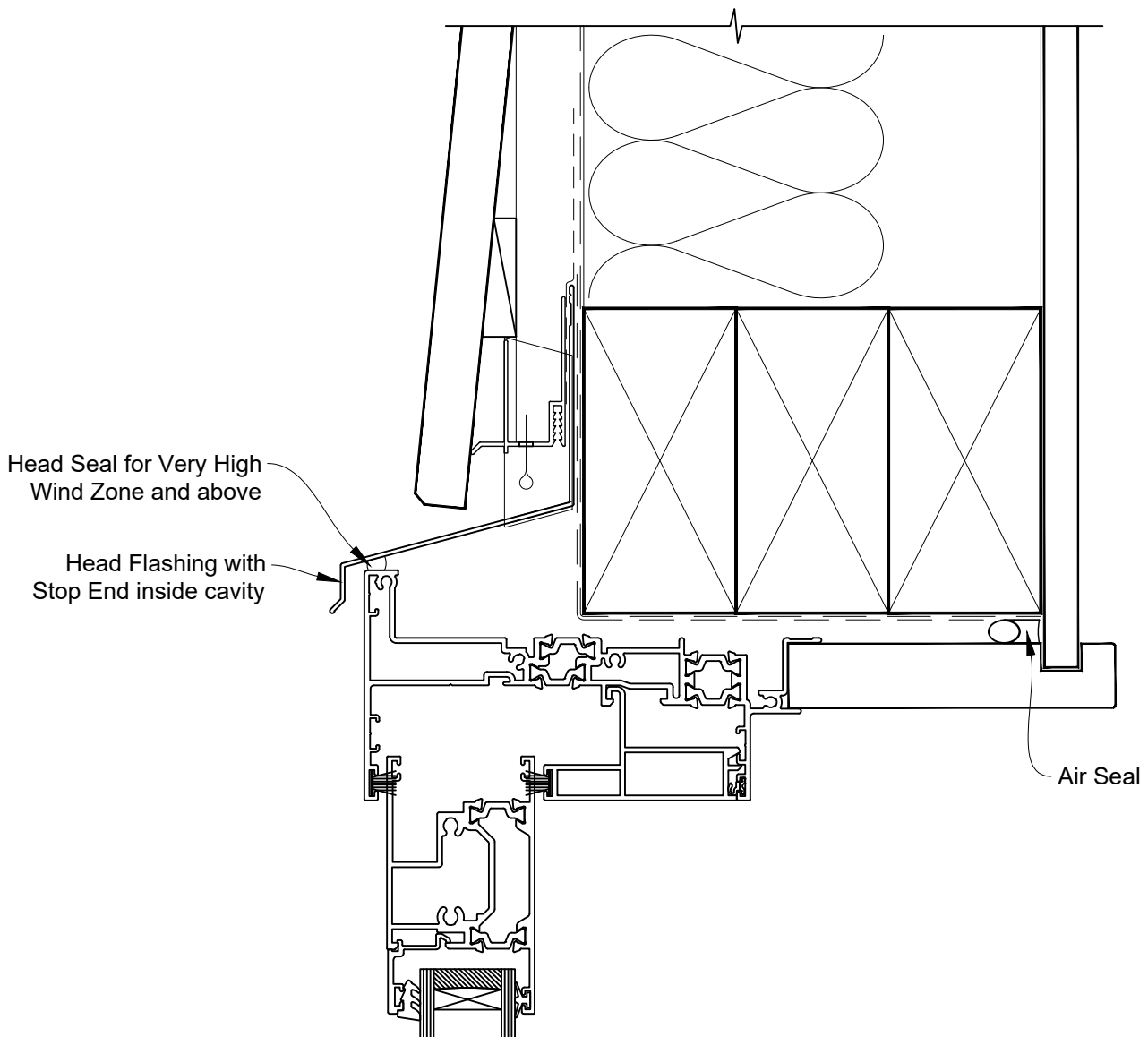


# INSTALLATION DETAIL - 44mm METRO THERMAL HEART SLIDING DOOR ON BEVEL BACK WEATHERBOARD CAVITY CONSTRUCTION

Date: 01.03.23

Scale: 1:2

CAD Ref.: TM44SDBW-CH



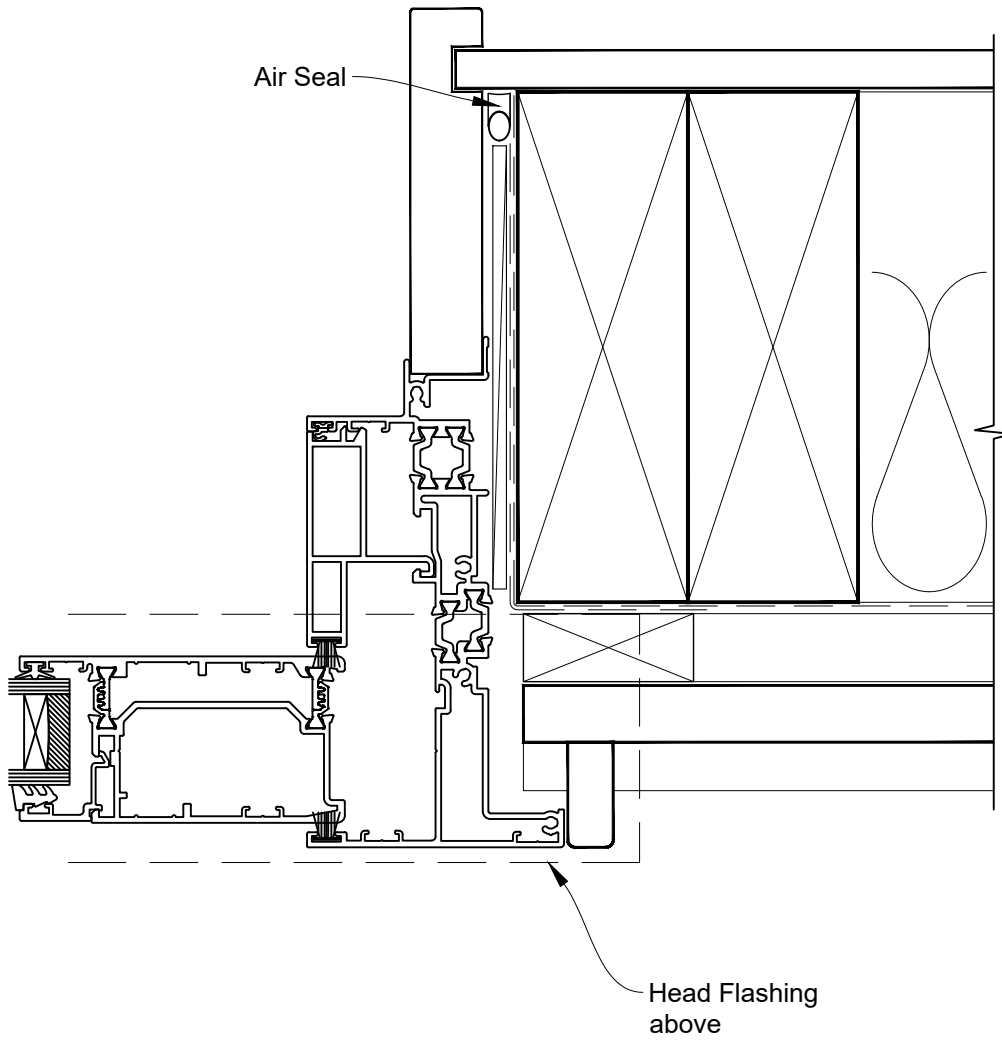


# INSTALLATION DETAIL - 44mm METRO THERMAL HEART SLIDING DOOR ON BEVEL BACK WEATHERBOARD CAVITY CONSTRUCTION

Date: 01.03.23

Scale: 1:2

CAD Ref.: TM44SDBW-CJ



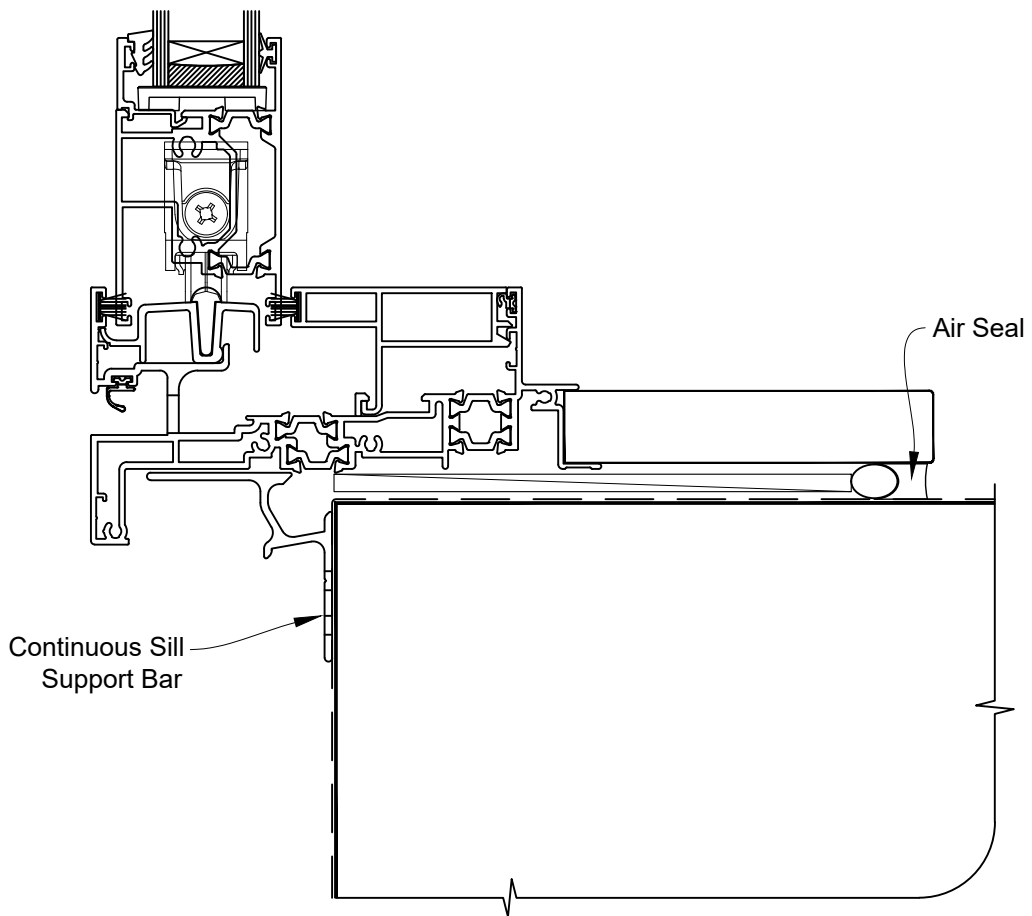


# INSTALLATION DETAIL - 44mm METRO THERMAL HEART SLIDING DOOR ON BEVEL BACK WEATHERBOARD CAVITY CONSTRUCTION

Date: 01.03.23

Scale: 1:2

CAD Ref.: TM44SDBW-CS



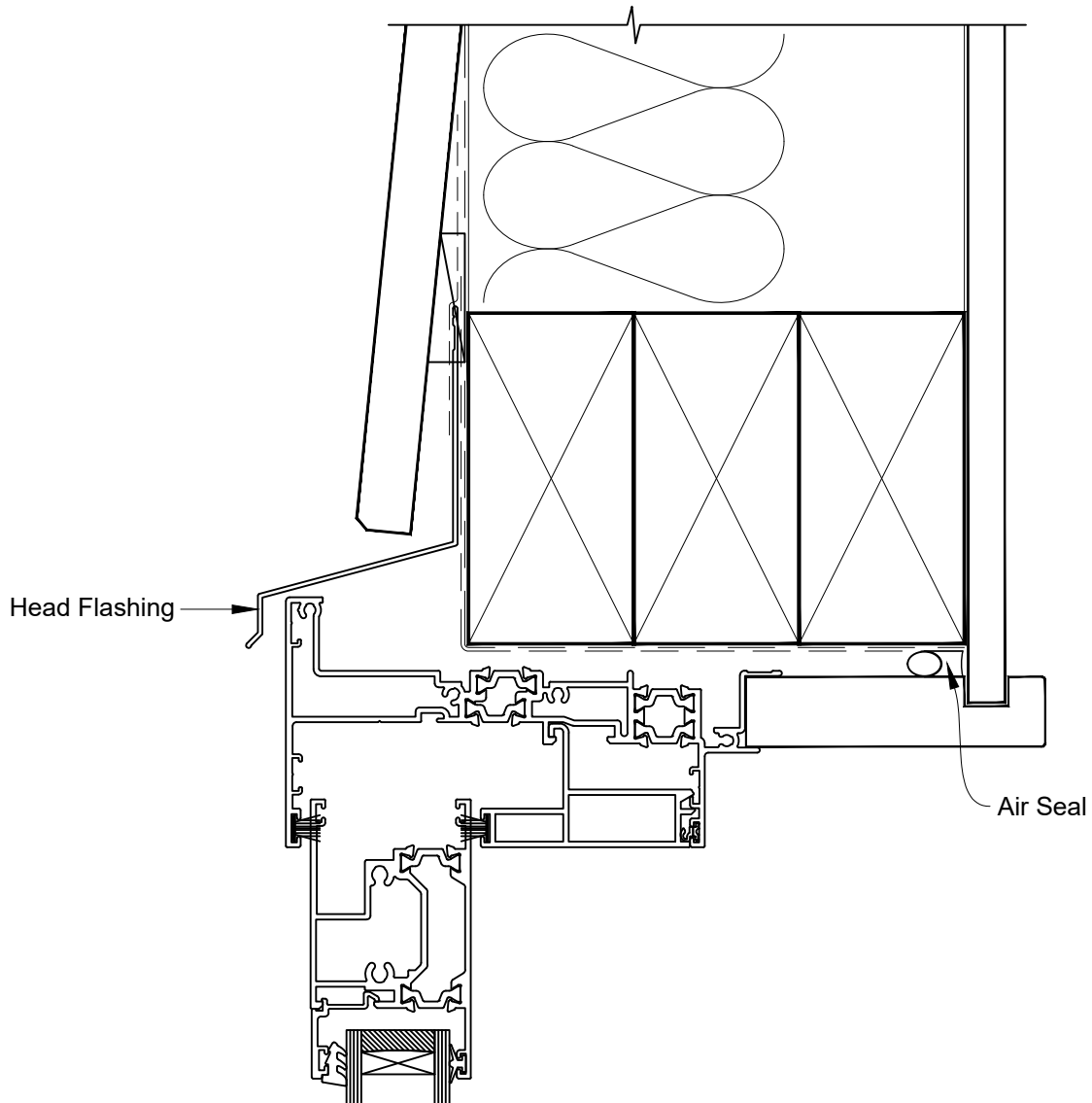


# INSTALLATION DETAIL - 44mm METRO THERMAL HEART SLIDING DOOR ON BEVEL BACK WEATHERBOARD DIRECT FIXED CLADDING

Date: 01.03.23

Scale: 1:2

CAD Ref.: TM44SDBW-DH



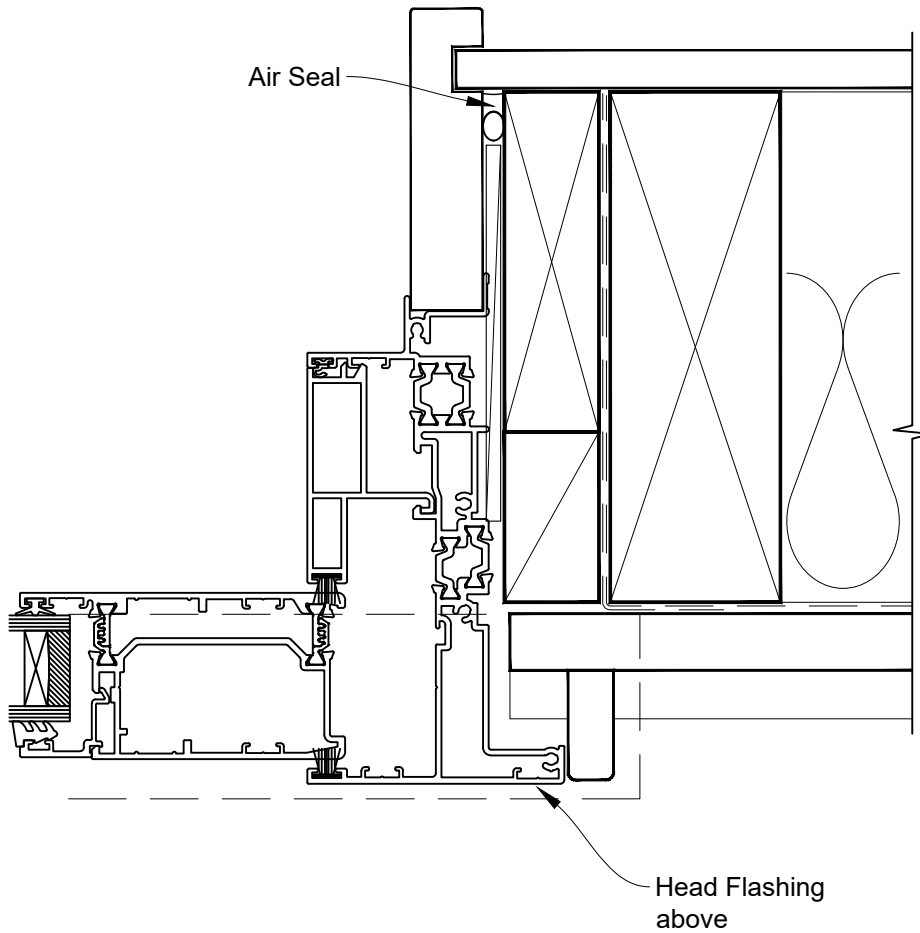


# INSTALLATION DETAIL - 44mm METRO THERMAL HEART SLIDING DOOR ON BEVEL BACK WEATHERBOARD DIRECT FIXED CLADDING

Date: 01.03.23

Scale: 1:2

CAD Ref.: TM44SDBW-DJ





# INSTALLATION DETAIL - 44mm METRO THERMAL HEART SLIDING DOOR ON BEVEL BACK WEATHERBOARD DIRECT FIXED CLADDING

Date: 01.03.23

Scale: 1:2

CAD Ref.: TM44SDBW-DS

