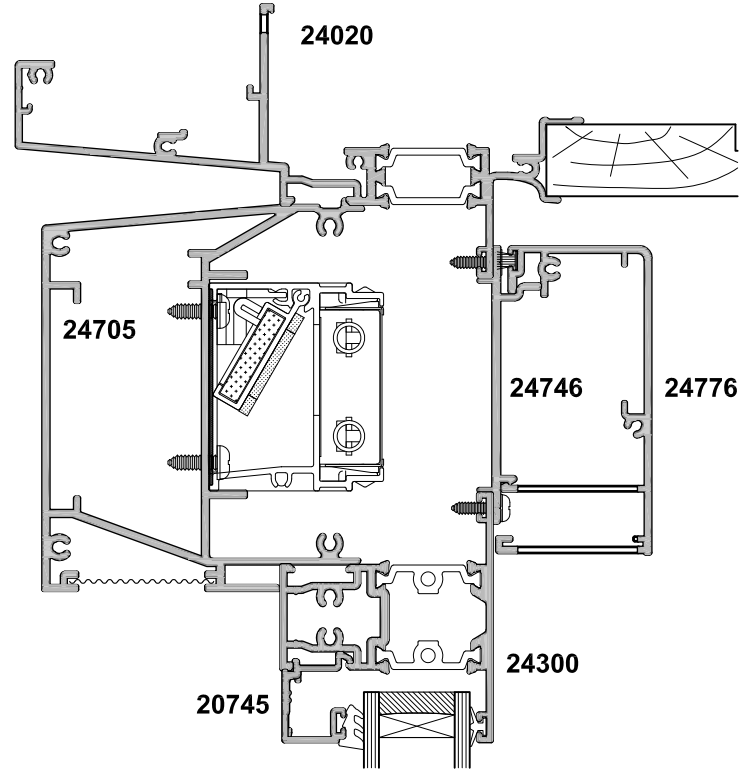
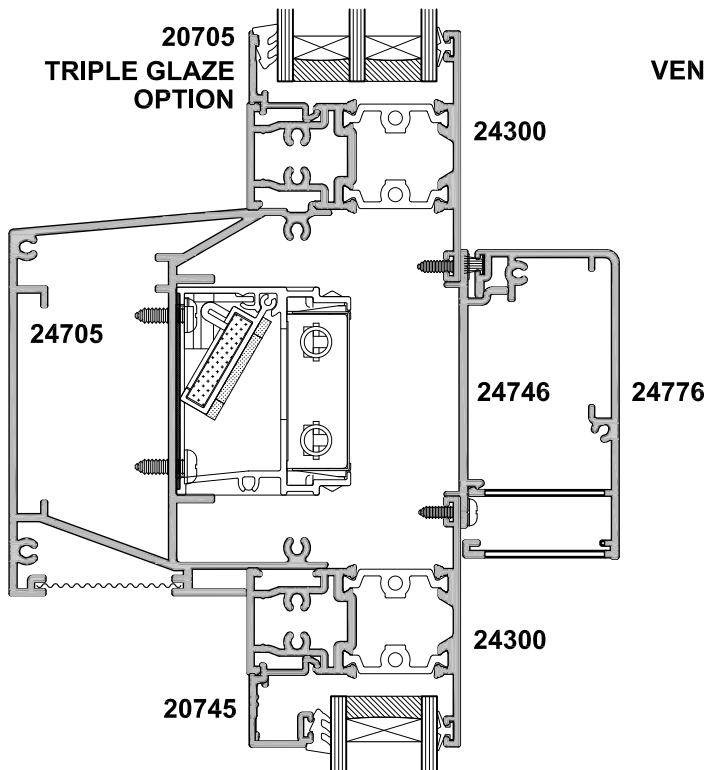


**SASH UNDER VENTIENT**



**VENTIENT ON CENTRAFIX FRAME**



**VENTIENT UNDER TRANSOM**