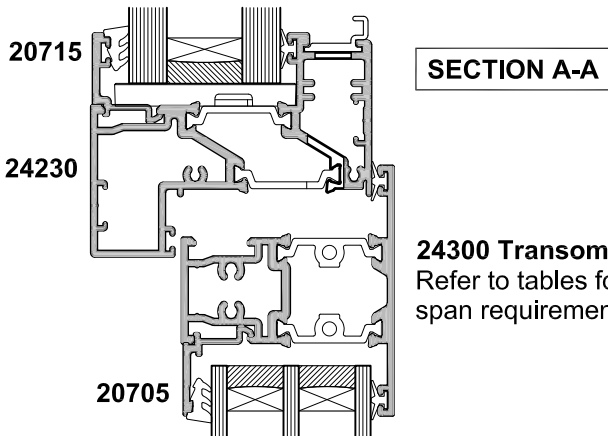
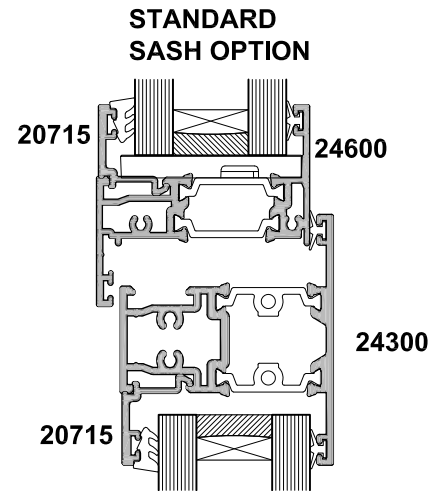
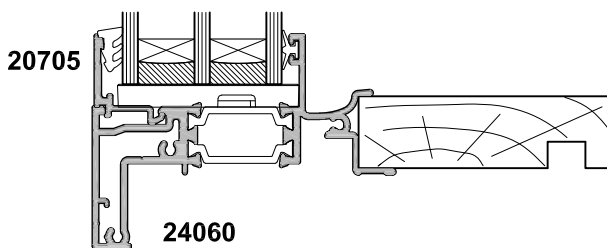


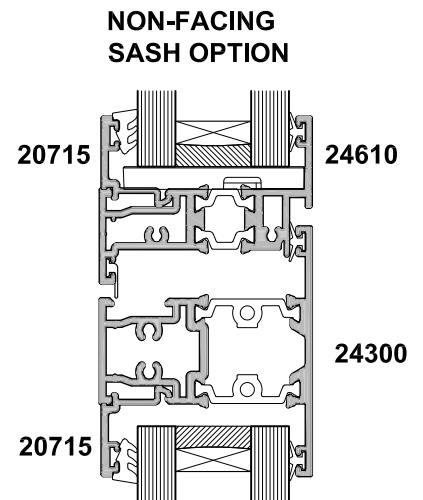
**VENTED SASH
OPTION**



**TRIPLE GLAZE
OPTION**



**STANDARD
SASH OPTION**



**NON-FACING
SASH OPTION**

24300 Transom
Refer to tables for
span requirements