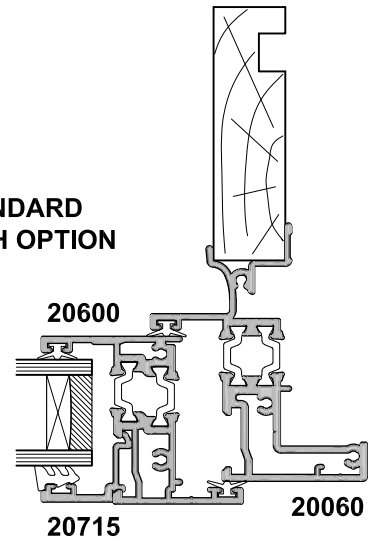
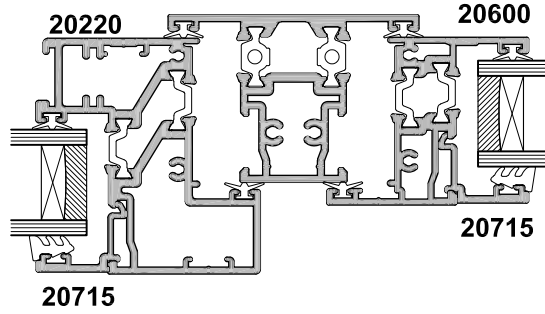
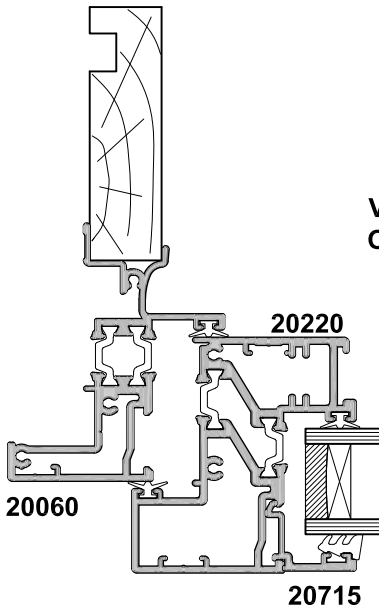


**SECTION A-A**

**VENTED SASH OPTION**

**20300 Mullion**  
Refer to tables for span requirements

**STANDARD SASH OPTION**



**MULLION / TRANSOM OPTIONS**

Refer to tables for span requirements

