

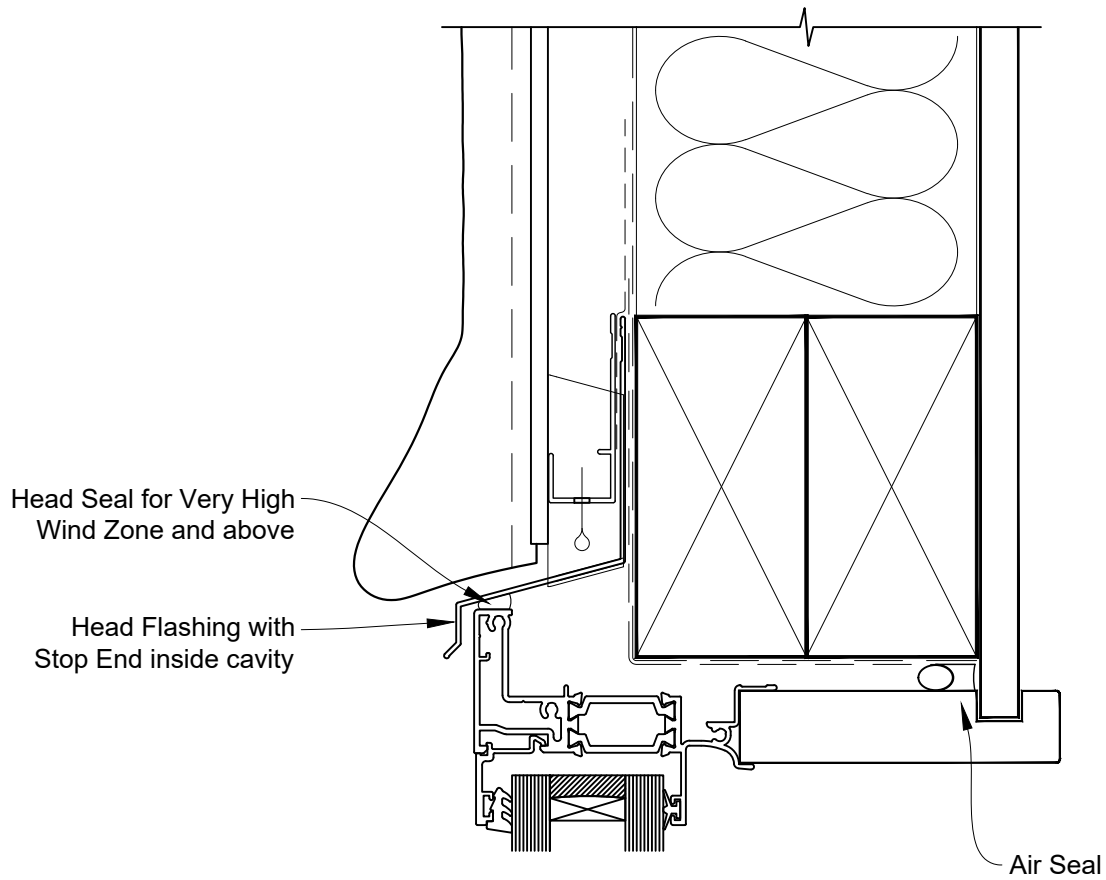


# INSTALLATION DETAIL - 56mm METRO THERMAL HEART AWNING WINDOW ON STUCCO CAVITY CONSTRUCTION

Date: 01.03.23

Scale: 1:2

CAD Ref.: TM56AWST-CH



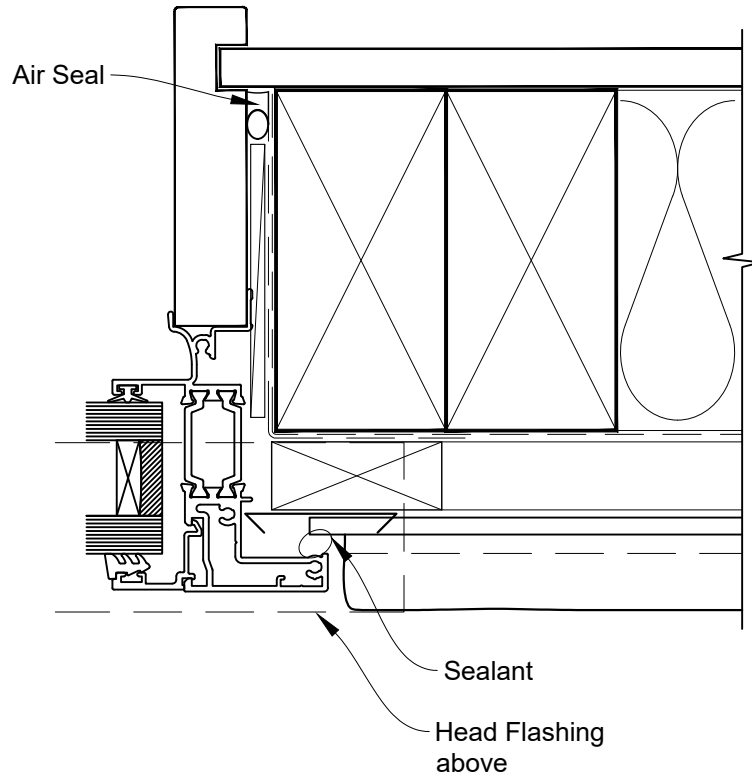


# INSTALLATION DETAIL - 56mm METRO THERMAL HEART AWNING WINDOW ON STUCCO CAVITY CONSTRUCTION

Date: 01.03.23

Scale: 1:2

CAD Ref.: TM56AWST-CJ





# INSTALLATION DETAIL - 56mm METRO THERMAL HEART AWNING WINDOW ON STUCCO CAVITY CONSTRUCTION

Date: 01.03.23

Scale: 1:2

CAD Ref.: TM56AWST-CS

