

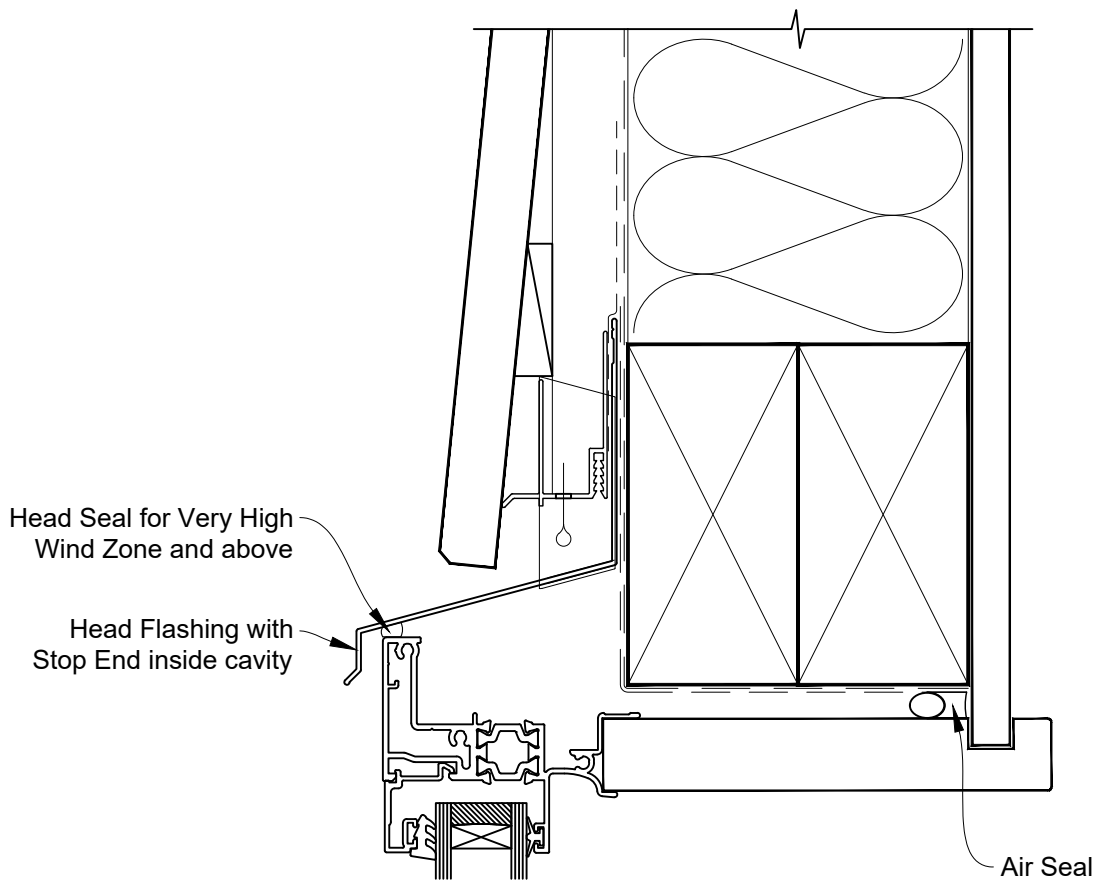


# INSTALLATION DETAIL - 44mm METRO THERMAL HEART AWNING WINDOW ON BEVELBACK WEATHERBOARD CAVITY CONSTRUCTION

Date: 01.03.23

Scale: 1:2

CAD Ref.: TM44AWBW-CH



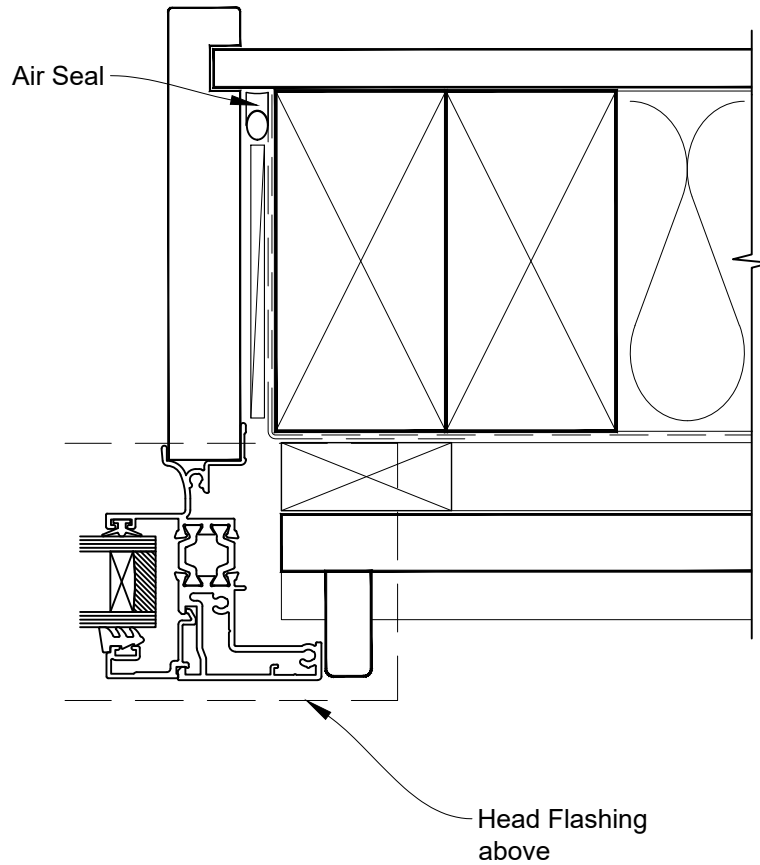


# INSTALLATION DETAIL - 44mm METRO THERMAL HEART AWNING WINDOW ON BEVELBACK WEATHERBOARD CAVITY CONSTRUCTION

Date: 01.03.23

Scale: 1:2

CAD Ref.: TM44AWBW-CJ



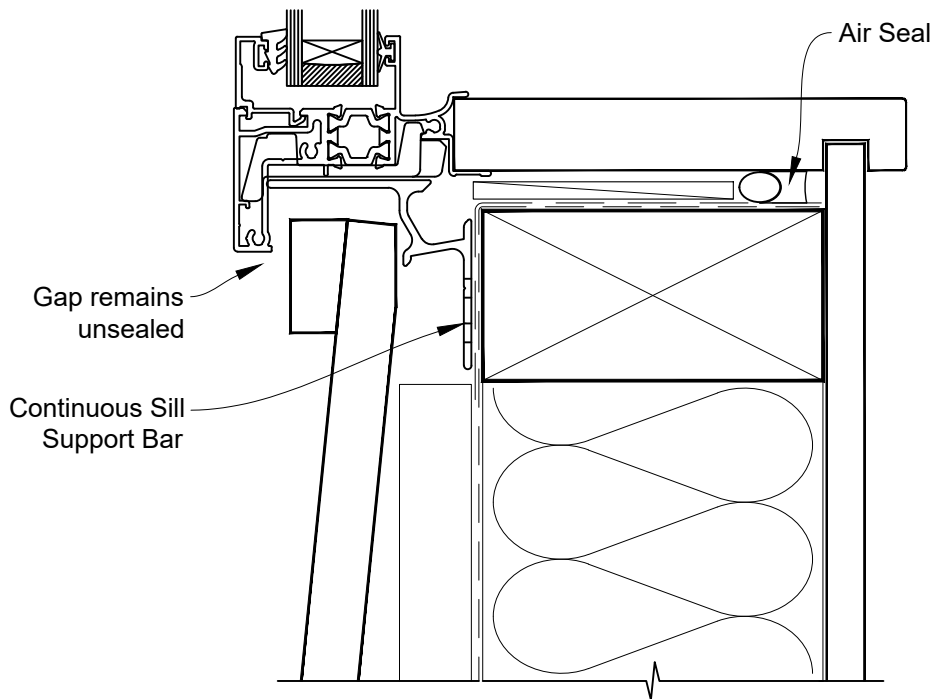


# INSTALLATION DETAIL - 44mm METRO THERMAL HEART AWNING WINDOW ON BEVELBACK WEATHERBOARD CAVITY CONSTRUCTION

Date: 01.03.23

Scale: 1:2

CAD Ref.: TM44AWBW-CS



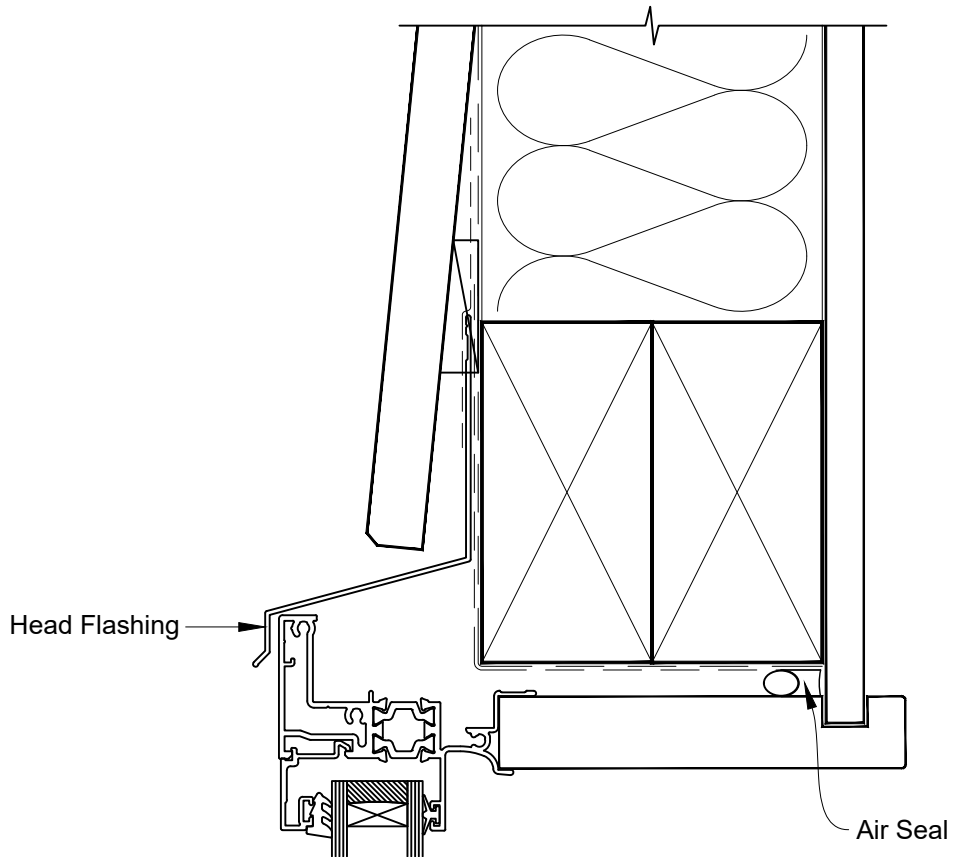


# INSTALLATION DETAIL - 44mm METRO THERMAL HEART AWNING WINDOW ON BEVELBACK WEATHERBOARD DIRECT FIXED CLADDING

Date: 01.03.23

Scale: 1:2

CAD Ref.: TM44AWBW-DH



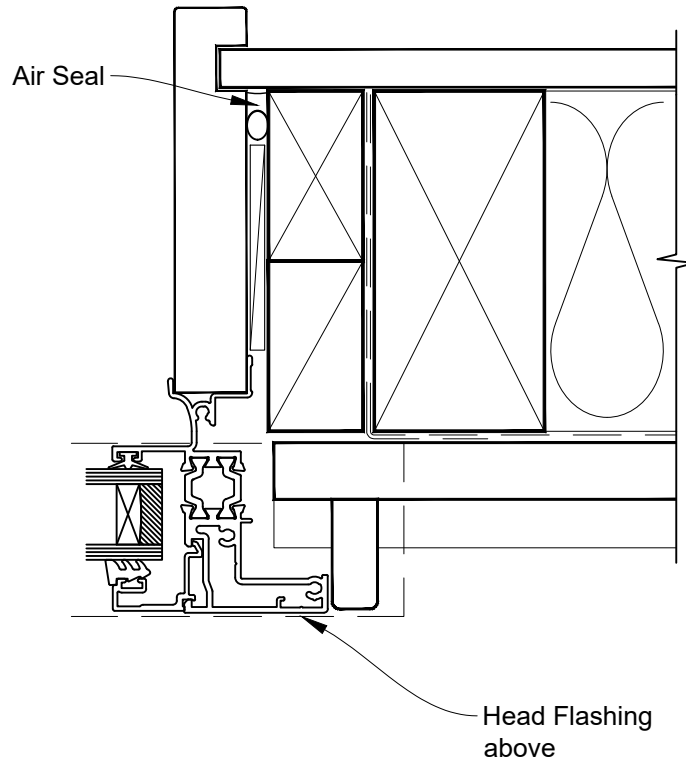


# INSTALLATION DETAIL - 44mm METRO THERMAL HEART AWNING WINDOW ON BEVELBACK WEATHERBOARD DIRECT FIXED CLADDING

Date: 01.03.23

Scale: 1:2

CAD Ref.: TM44AWBW-DJ





# INSTALLATION DETAIL - 44mm METRO THERMAL HEART AWNING WINDOW ON BEVELBACK WEATHERBOARD DIRECT FIXED CLADDING

Date: 01.03.23

Scale: 1:2

CAD Ref.: TM44AWBW-DS

