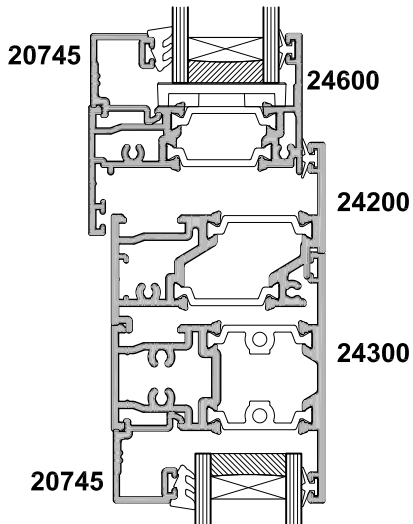
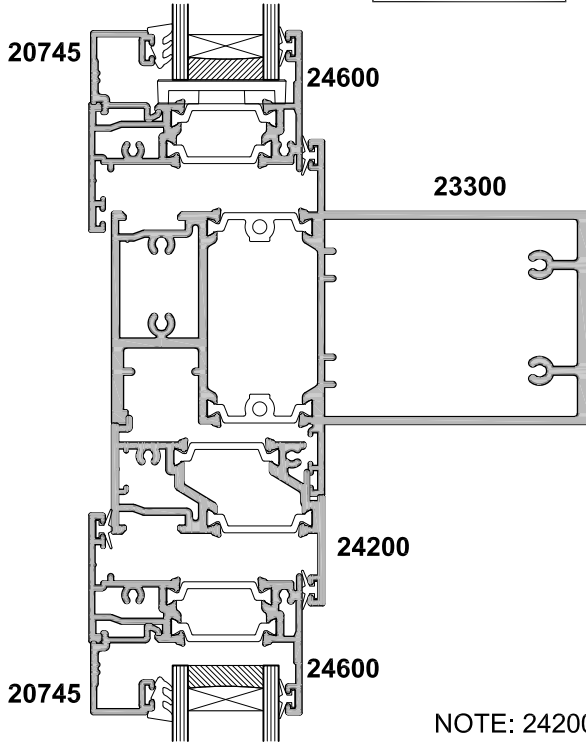
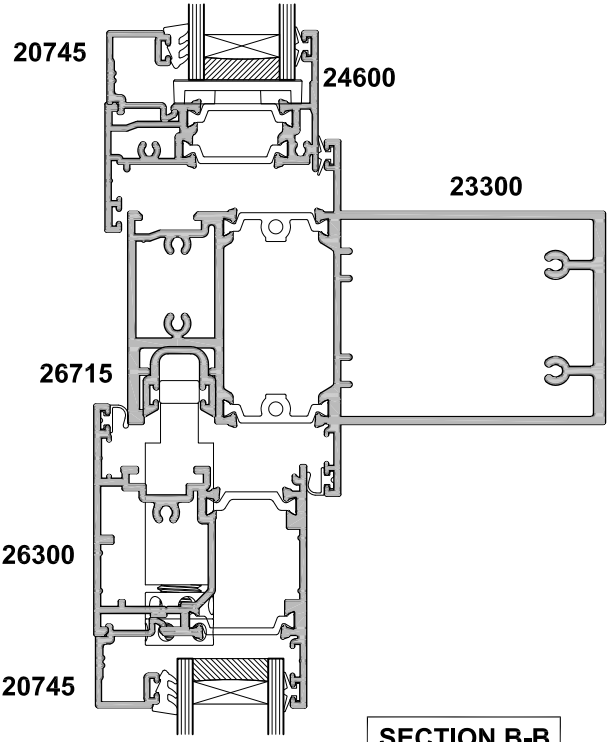
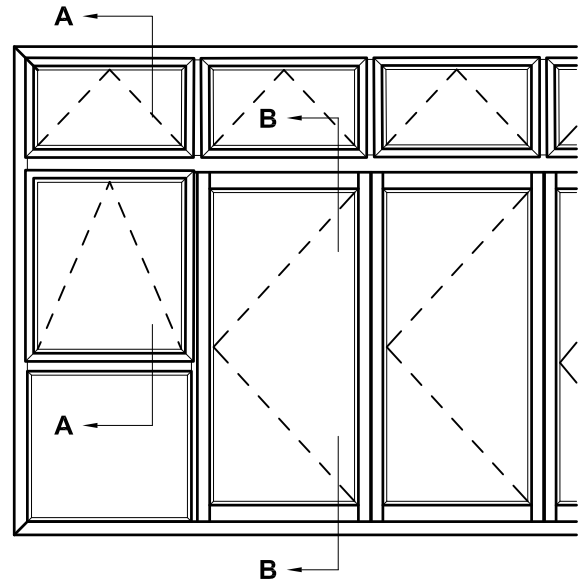


**SECTION A-A**



NOTE: 24200  
Adaptor will be  
required for a  
casement sash



**SECTION B-B**

