

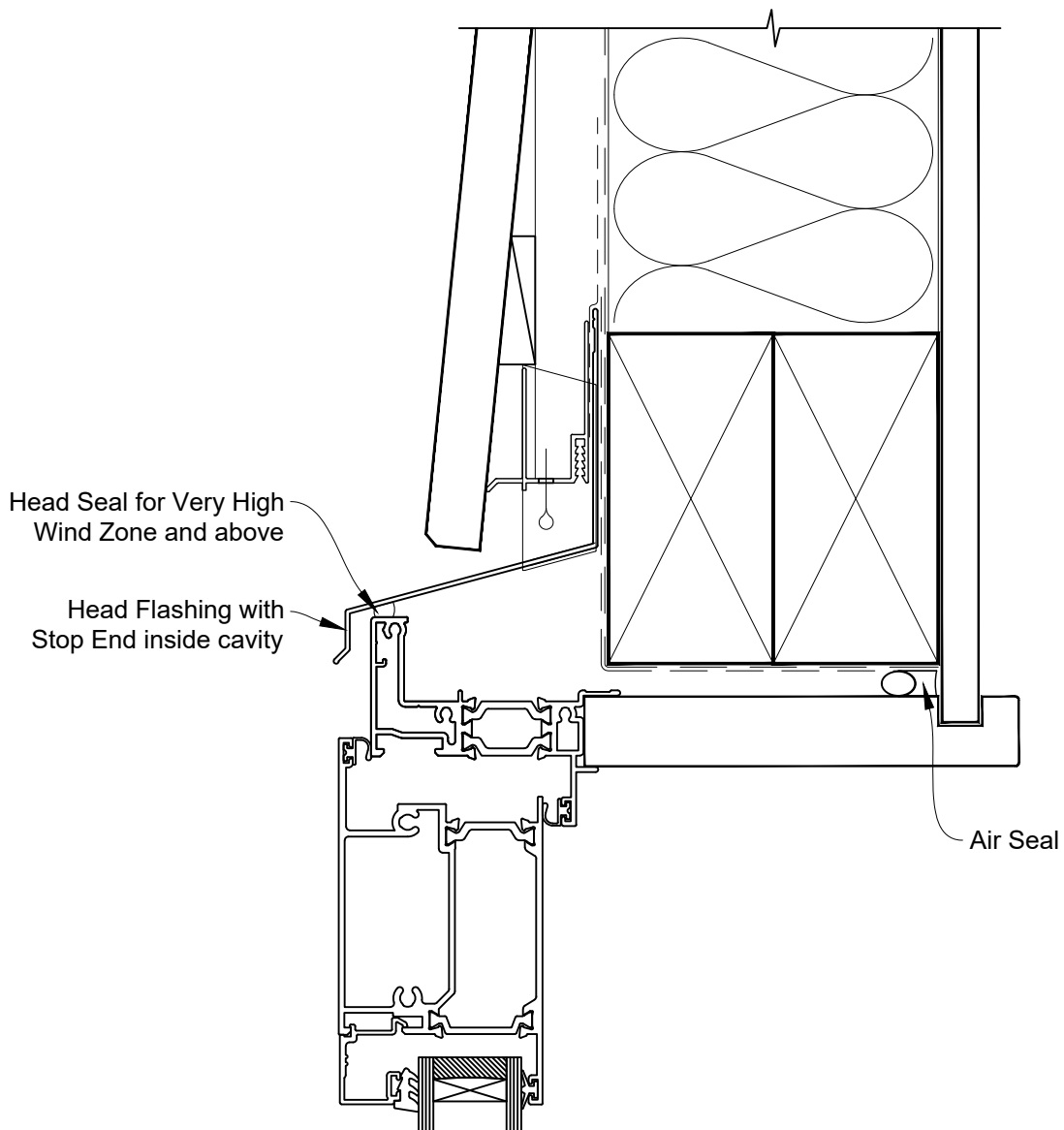


INSTALLATION DETAIL - RESIDENTIAL THERMAL HEART HINGE DOOR OPEN OUT ON BEVELBACK WEATHERBOARD CAVITY CONSTRUCTION

Date: 01.01.23

Scale: 1:2

CAD Ref.: TRHOBW-CH



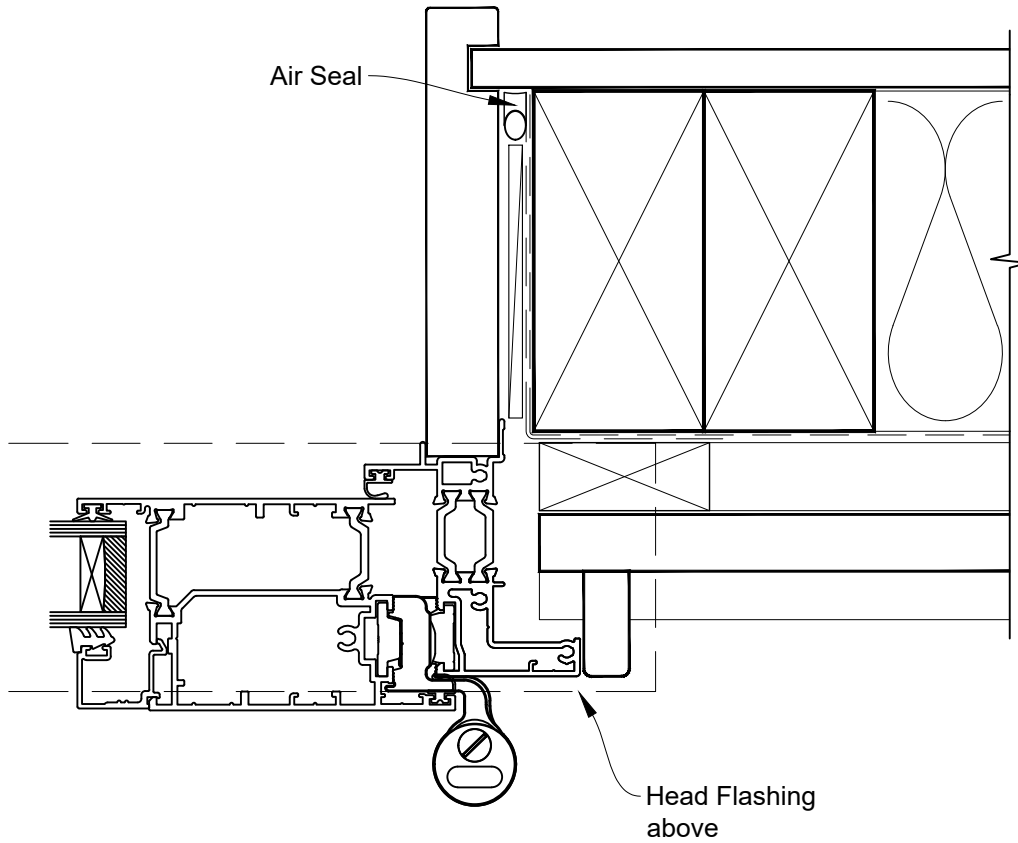


INSTALLATION DETAIL - RESIDENTIAL THERMAL HEART HINGE DOOR OPEN OUT ON BEVELBACK WEATHERBOARD CAVITY CONSTRUCTION

Date: 01.01.23

Scale: 1:2

CAD Ref.: TRHOBW-CJ



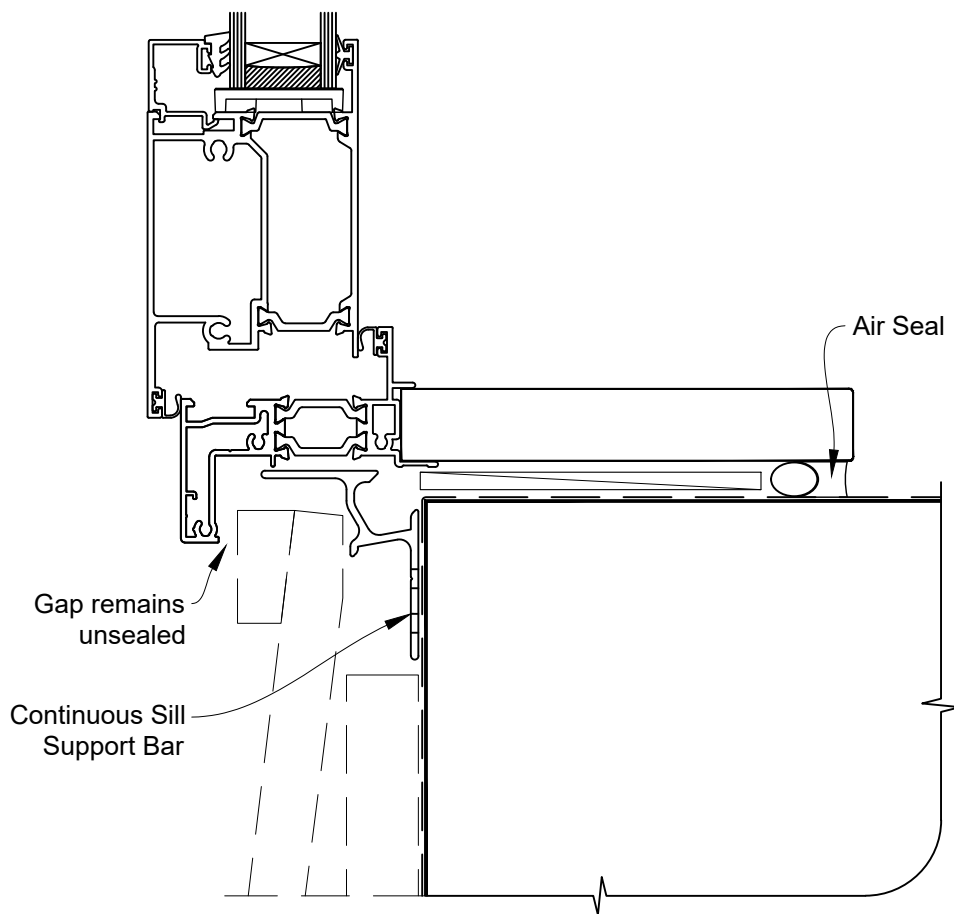


INSTALLATION DETAIL - RESIDENTIAL THERMAL HEART HINGE DOOR OPEN OUT ON BEVELBACK WEATHERBOARD CAVITY CONSTRUCTION

Date: 01.01.23

Scale: 1:2

CAD Ref.: TRHOBW-CS



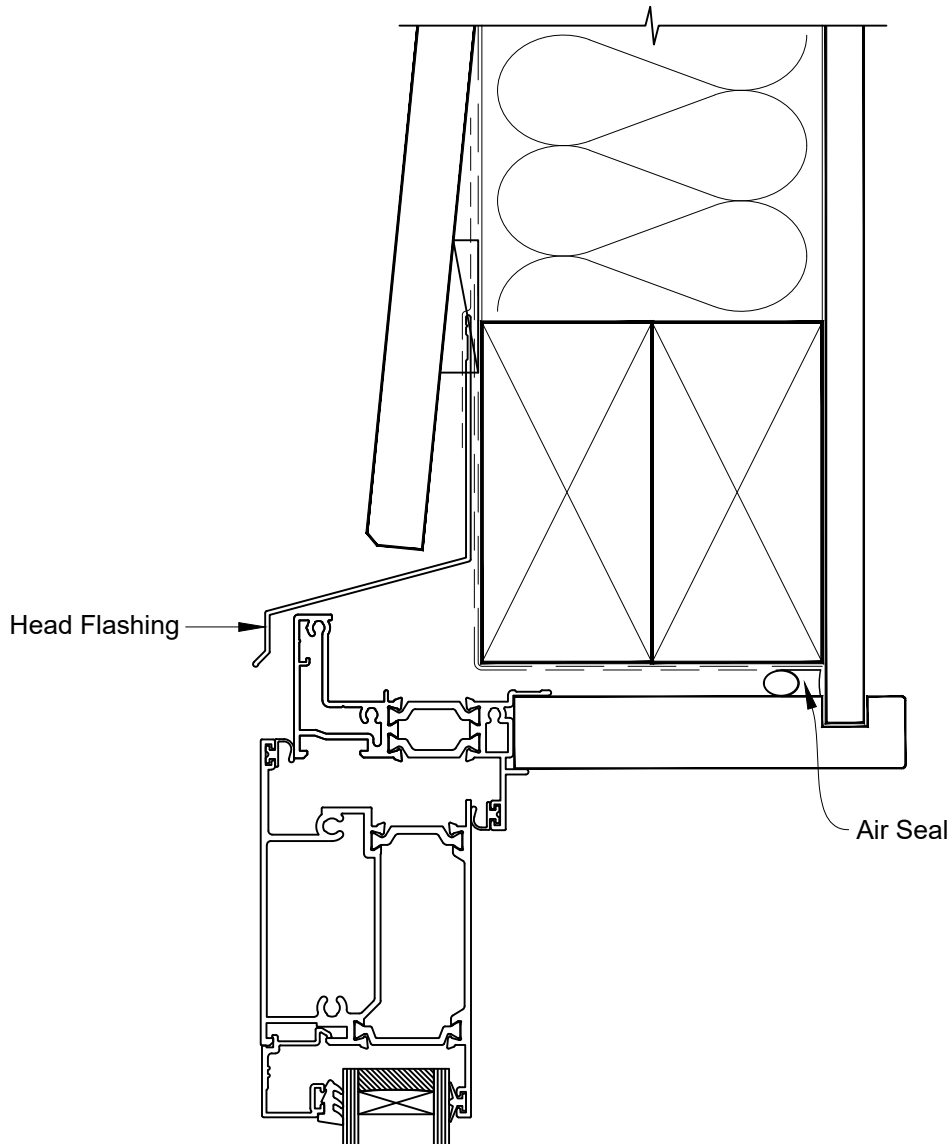


INSTALLATION DETAIL - RESIDENTIAL THERMAL HEART HINGE DOOR OPEN OUT ON BEVELBACK WEATHERBOARD DIRECT FIXED CLADDING

Date: 01.01.23

Scale: 1:2

CAD Ref.: TRHOBW-DH



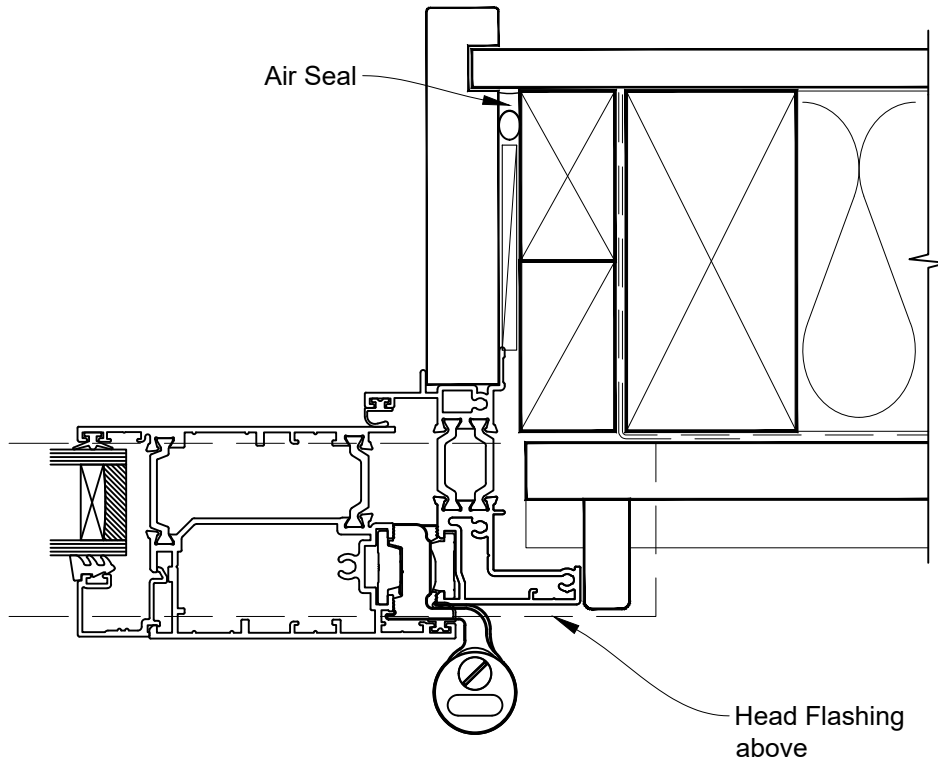


INSTALLATION DETAIL - RESIDENTIAL THERMAL HEART HINGE DOOR OPEN OUT ON BEVELBACK WEATHERBOARD DIRECT FIXED CLADDING

Date: 01.01.23

Scale: 1:2

CAD Ref.: TRHOBW-DJ





INSTALLATION DETAIL - RESIDENTIAL THERMAL HEART HINGE DOOR OPEN OUT ON BEVELBACK WEATHERBOARD DIRECT FIXED CLADDING

Date: 01.01.23

Scale: 1:2

CAD Ref.: TRHOBW-DS

