

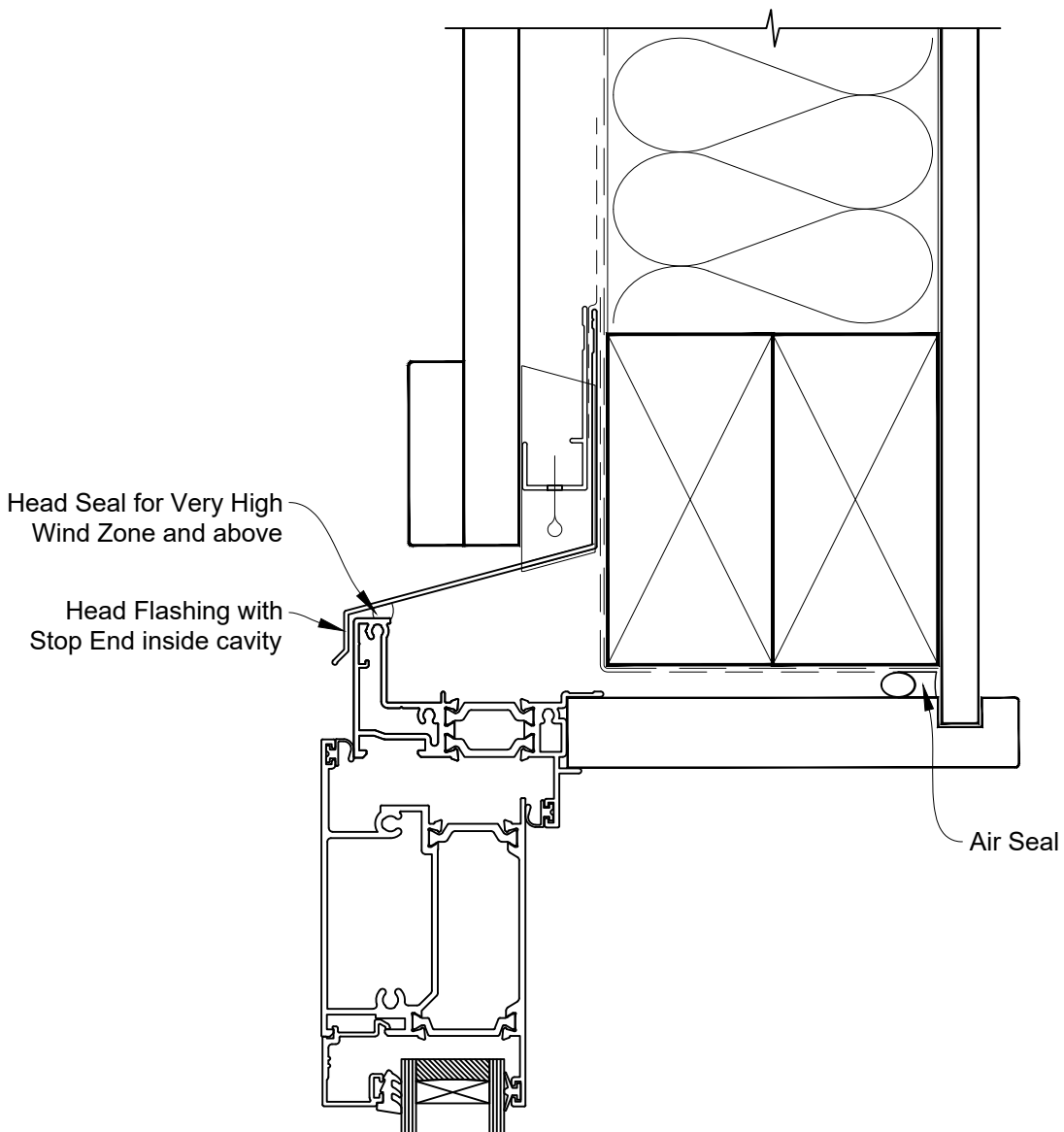


INSTALLATION DETAIL - RESIDENTIAL THERMAL HEART HINGE DOOR OPEN OUT ON BOARD AND BATTEN CAVITY CONSTRUCTION

Date: 01.01.23

Scale: 1:2

CAD Ref.: TRHOBB-CH



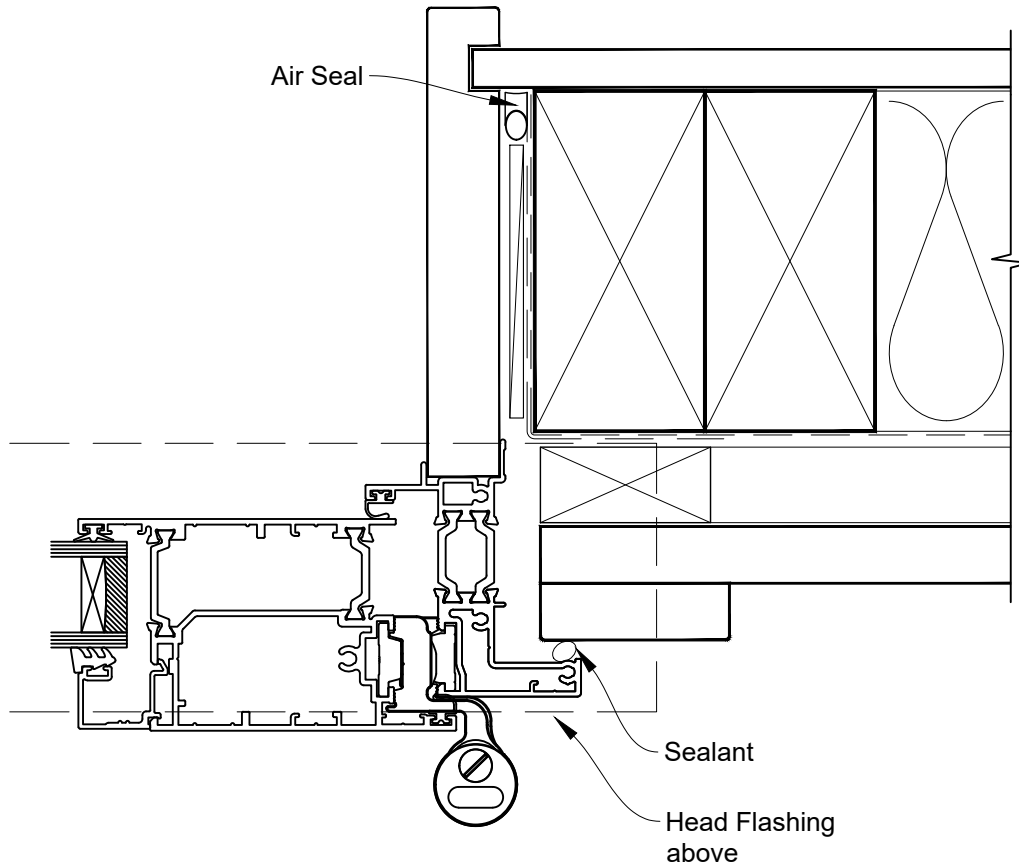


INSTALLATION DETAIL - RESIDENTIAL THERMAL HEART HINGE DOOR OPEN OUT ON BOARD AND BATTEN CAVITY CONSTRUCTION

Date: 01.01.23

Scale: 1:2

CAD Ref.: TRHOBB-CJ



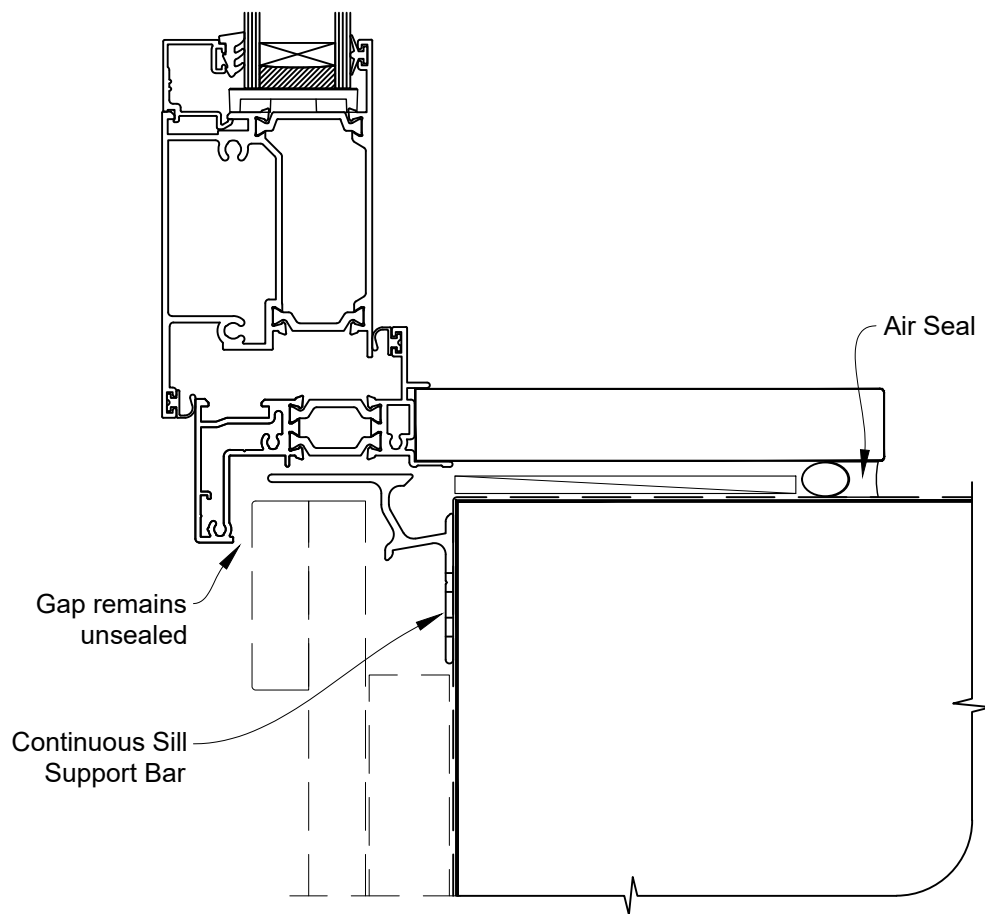


INSTALLATION DETAIL - RESIDENTIAL THERMAL HEART HINGE DOOR OPEN OUT ON BOARD AND BATTEN CAVITY CONSTRUCTION

Date: 01.01.23

Scale: 1:2

CAD Ref.: TRHOBB-CS



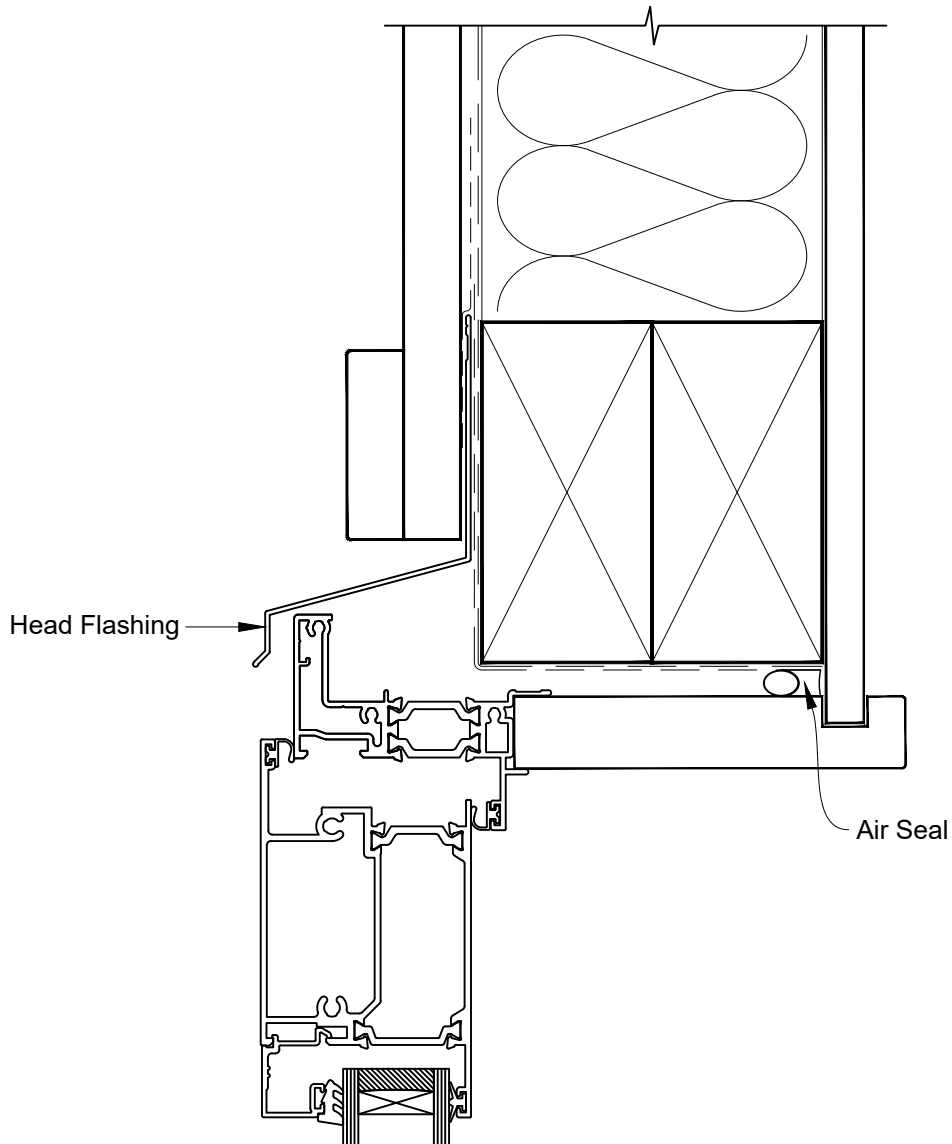


INSTALLATION DETAIL - RESIDENTIAL THERMAL HEART HINGE DOOR OPEN OUT ON BOARD AND BATTEN DIRECT FIXED CLADDING

Date: 01.01.23

Scale: 1:2

CAD Ref.: TRHOBB-DH



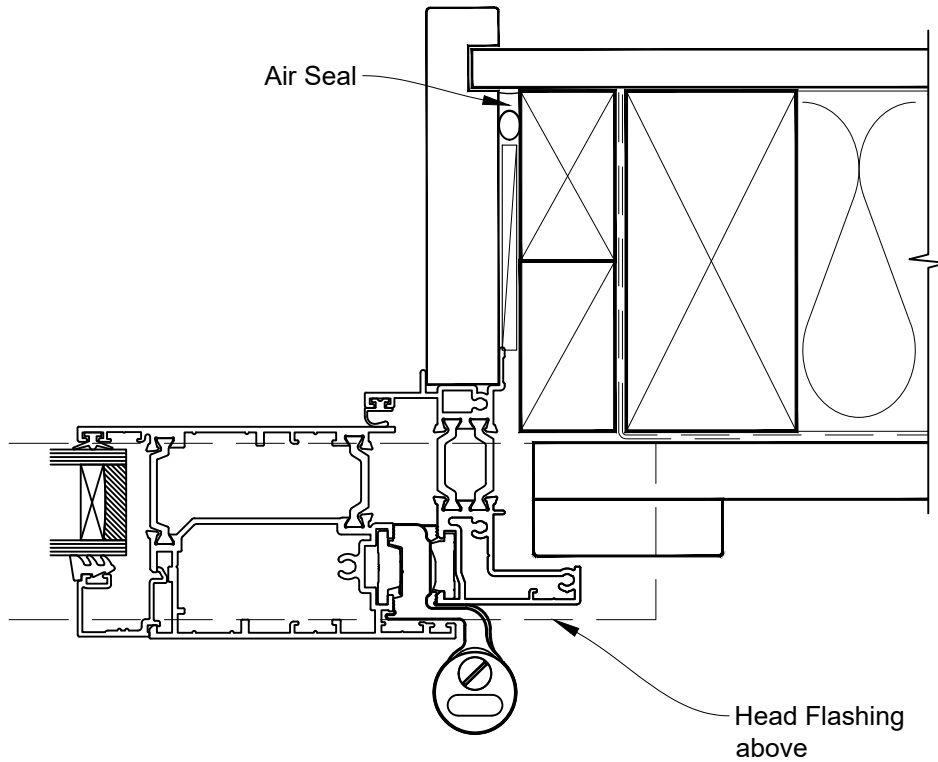


INSTALLATION DETAIL - RESIDENTIAL THERMAL HEART HINGE DOOR OPEN OUT ON BOARD AND BATTEN DIRECT FIXED CLADDING

Date: 01.01.23

Scale: 1:2

CAD Ref.: TRHOBB-DJ





INSTALLATION DETAIL - RESIDENTIAL THERMAL HEART HINGE DOOR OPEN OUT ON BOARD AND BATTEN DIRECT FIXED CLADDING

Date: 01.01.23

Scale: 1:2

CAD Ref.: TRHOBB-DS

