

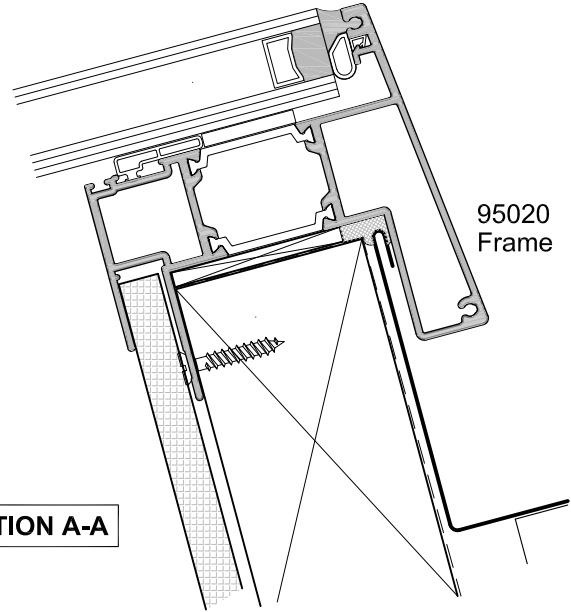
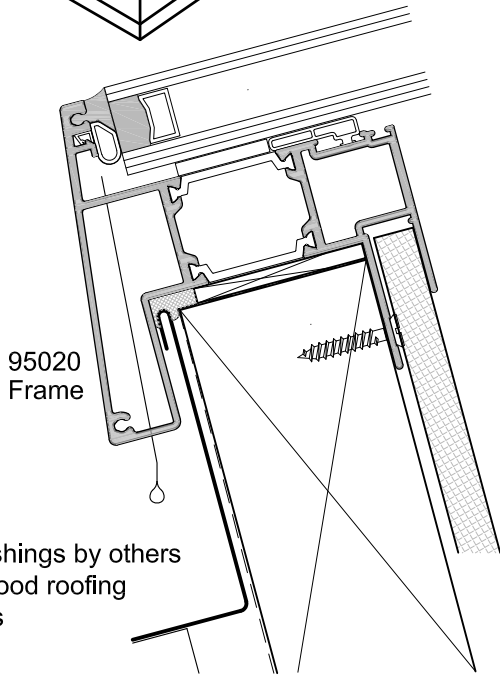
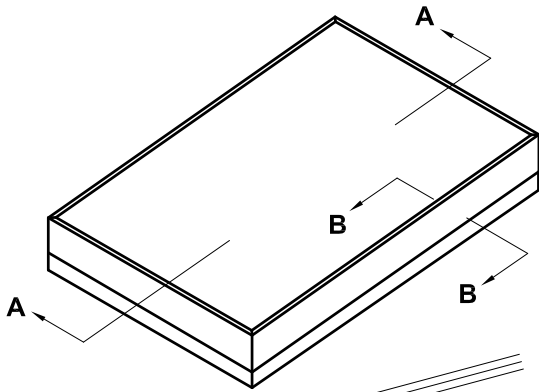


**FIXED SKYLIGHT
WITH THERMAL HEART
CROSS SECTION**

CAD REF. VCOG09-0

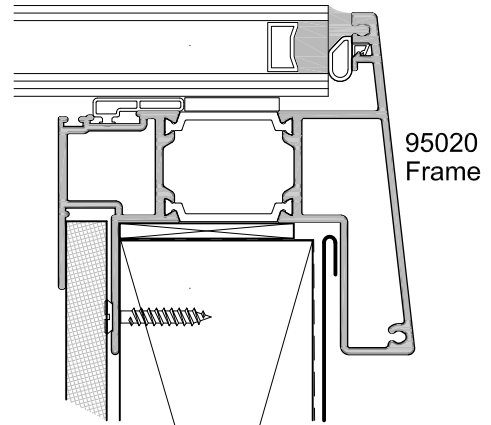
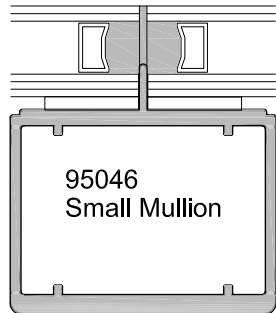
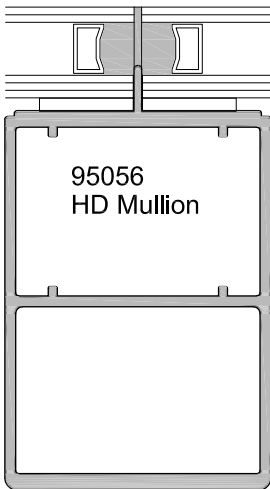
DATE
08.06.20

SCALE
1:2



SECTION A-A

Roof flashings by others
as per good roofing
practices



SECTION B-B

Note:

A Minimum Pitch of 5° is required to allow water to run off the glass.
Contact APL Technical Advisory Services for available sizes.