

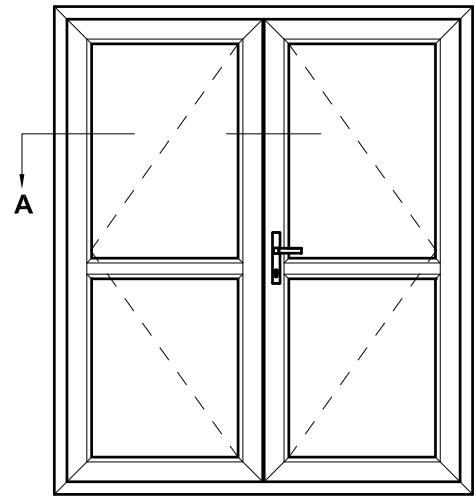
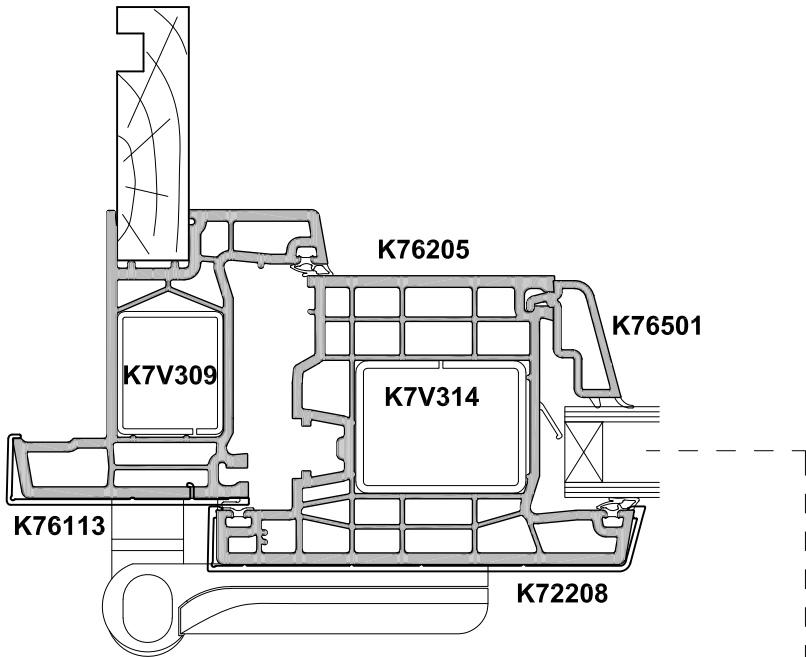


KLIMA SERIES
FRENCH DOOR, OPEN OUT AND OPEN IN
CROSS SECTION

CAD REF. VKHD04-0

DATE
28.09.21

SCALE
1:2



SECTION A-A

