

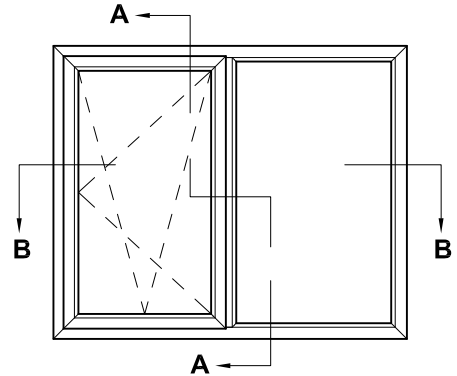
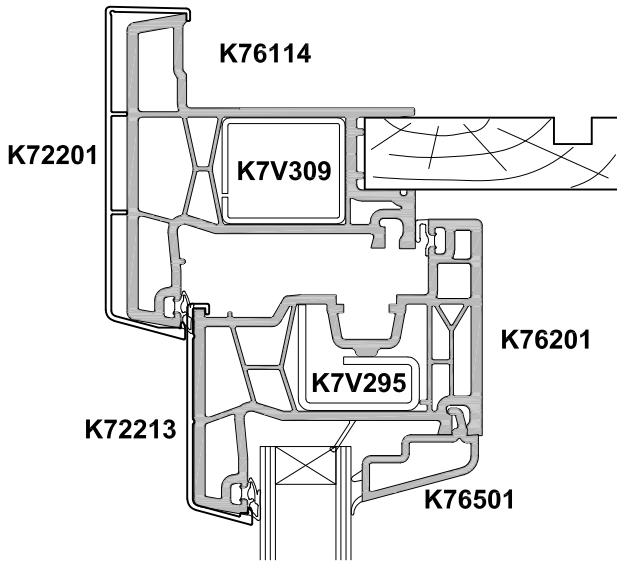


**KLIMA SERIES ALUCLIP
AWNING WINDOW, TILT AND TURN
CROSS SECTION**

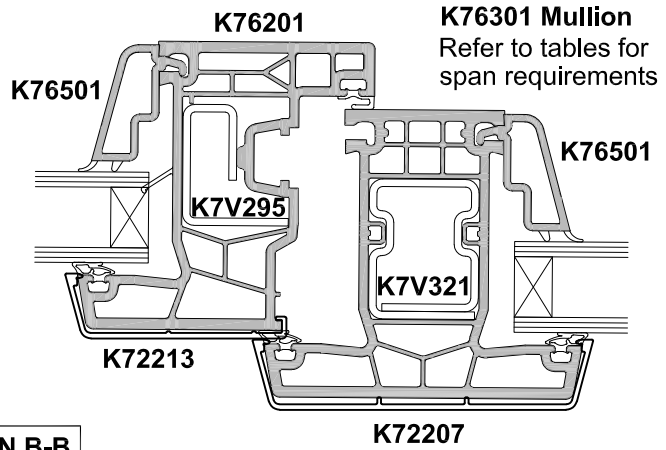
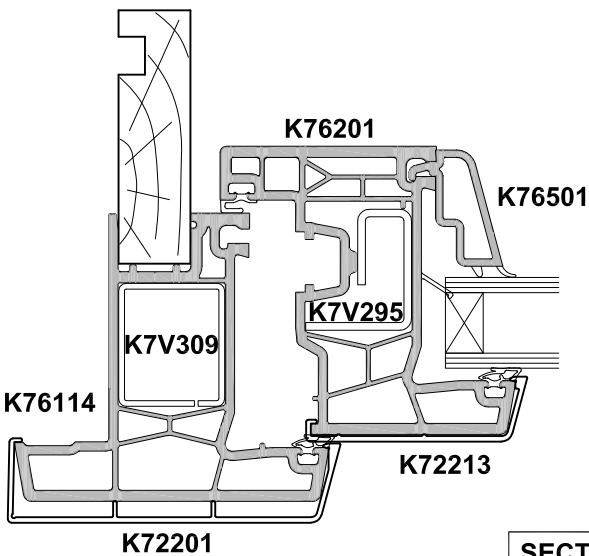
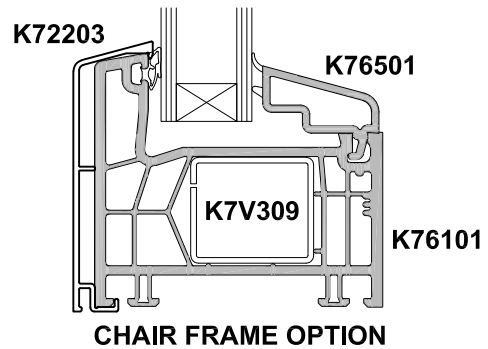
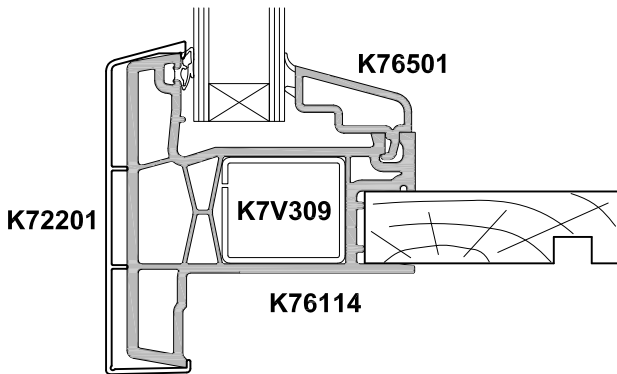
CAD REF. VKAW06-0

DATE
01.06.20

SCALE
1:2



SECTION A-A



SECTION B-B