

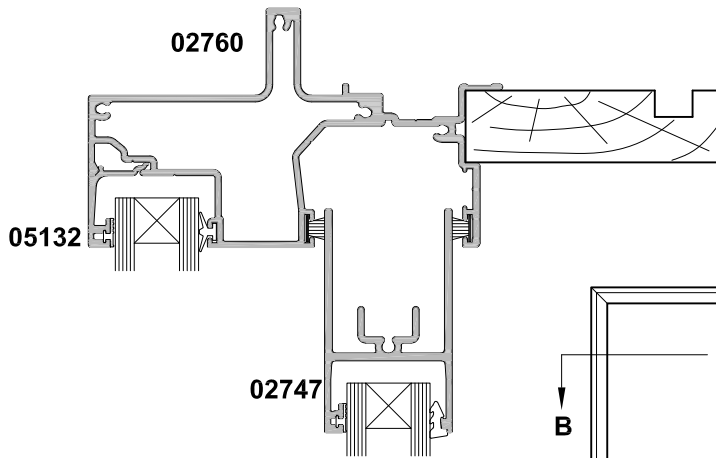


**SLIDEMASTER SLIDING WINDOW
FSF DOUBLE GLAZED
CROSS SECTION**

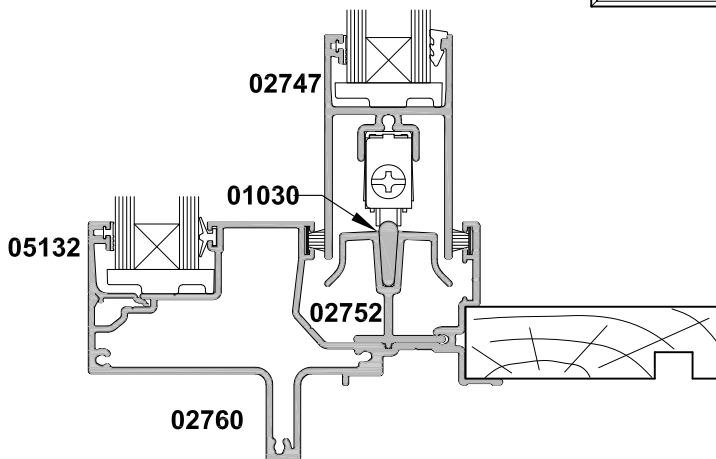
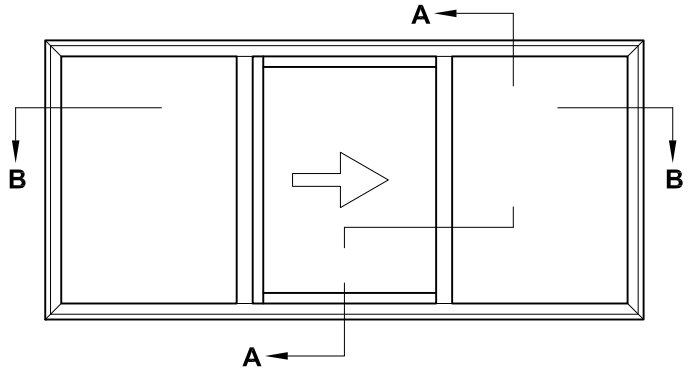
CAD REF. VSW03-0

DATE
01.04.19

SCALE
1:2



SECTION A-A



SECTION B-B

