

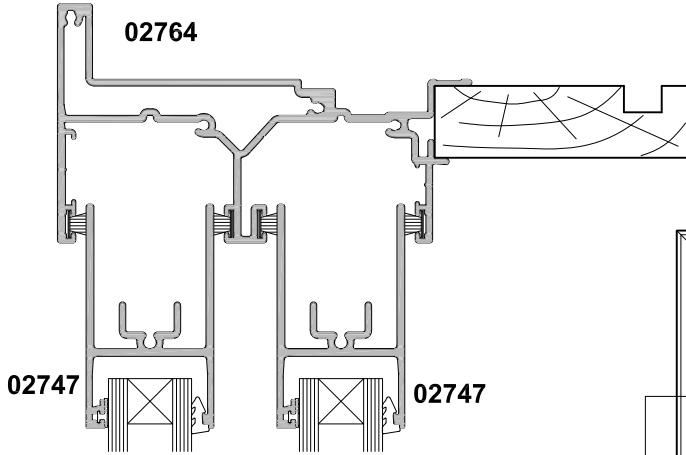


**SLIDEMASTER SLIDING WINDOW
SS BYPASS SLIDER
CROSS SECTION**

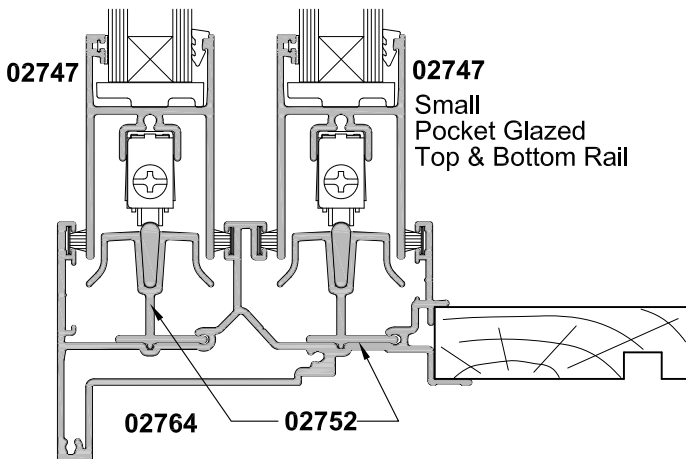
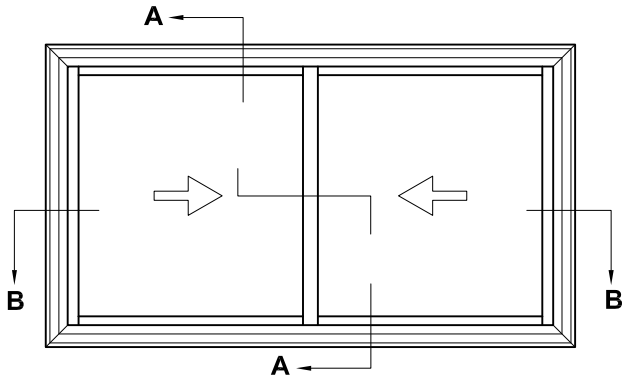
CAD REF. VSW02-0

DATE
01.04.19

SCALE
1:2



SECTION A-A



SECTION B-B

