

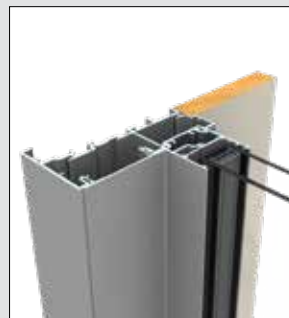
Sliding door sill – single panel.

Key Features

- Features an exterior sliding track as standard
- The sill frame has a flush track to optimise inside-to-out plane
- Interlocker stiles and mullions are flush in the closed position
- Corner sliding doors (90°) are available with no corner post (exterior and interior corners)
- An overwall slider option is available.



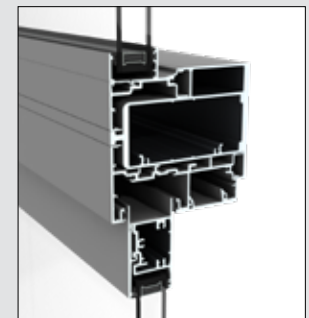
Multi slider sill frame.



Jamb detail with fixed light shown.



Sliding door interlockers are flush in the closed position.



Door overlight coupling detail.

Specifications

Dimensions

Suitable for specific design applications. Recommended maximum panels of 2400mm high and 2000mm wide. Sliding door rollers are rated to 100kg each (200kg per panel)

Maximum Glass Thickness

29mm IGU

Thermal Values

U-value 7.048 R-value 0.142

Performance

Tested to Extra High wind zone

Design Considerations

- Sliding doors allow wide opening without the danger of slamming shut in windy conditions
- Multi sliding doors allow approximately two-thirds opening
- Narrow stiles and large glass expanses maximise views in the closed position
- For enhanced flush indoor-outdoor levels consider recessing the sill into the floor pad to minimise or eliminate upstand.