

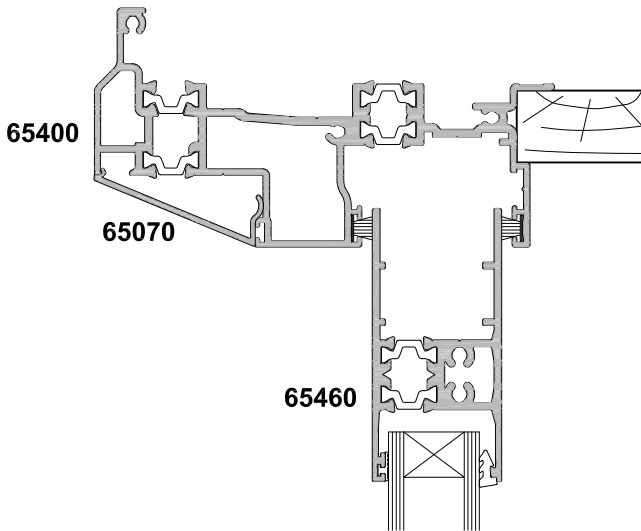
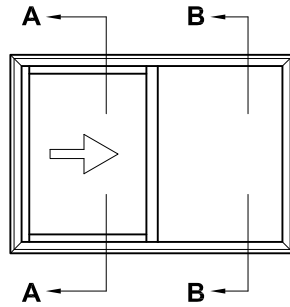


**VANTAGE THERMAL HEART
SLIDING WINDOW
TWO PANEL SF
CROSS SECTION**

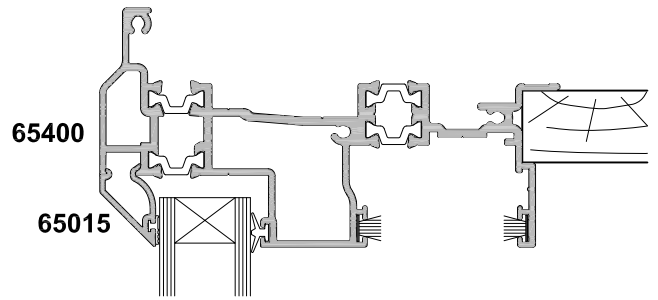
CAD REF. VRTSW02-0

DATE
01.06.11

SCALE
1:2



SECTION A-A



SECTION B-B

