

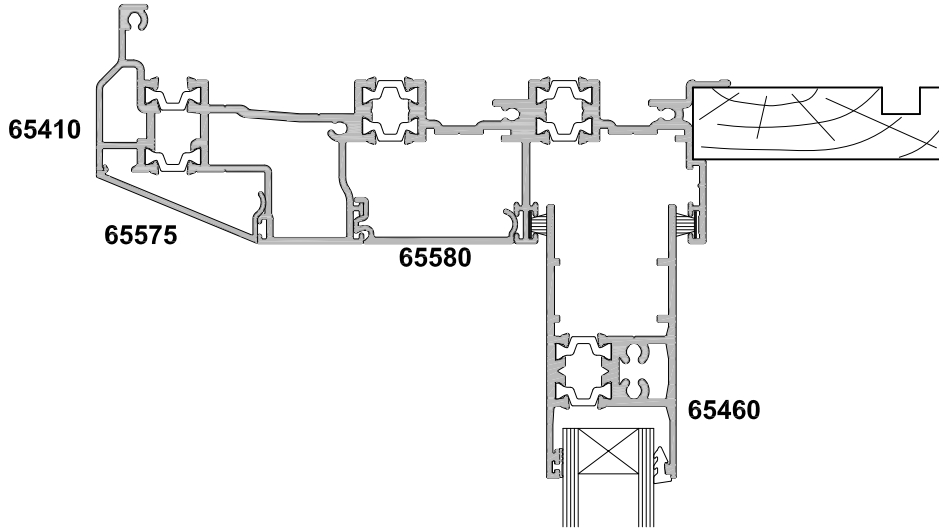


**VANTAGE THERMAL HEART
SLIDING WINDOW
THREE PANEL SSF
CROSS SECTION**

CAD REF. VRTSW05-0

DATE
30.01.18

SCALE
1:2



SECTION A-A

