

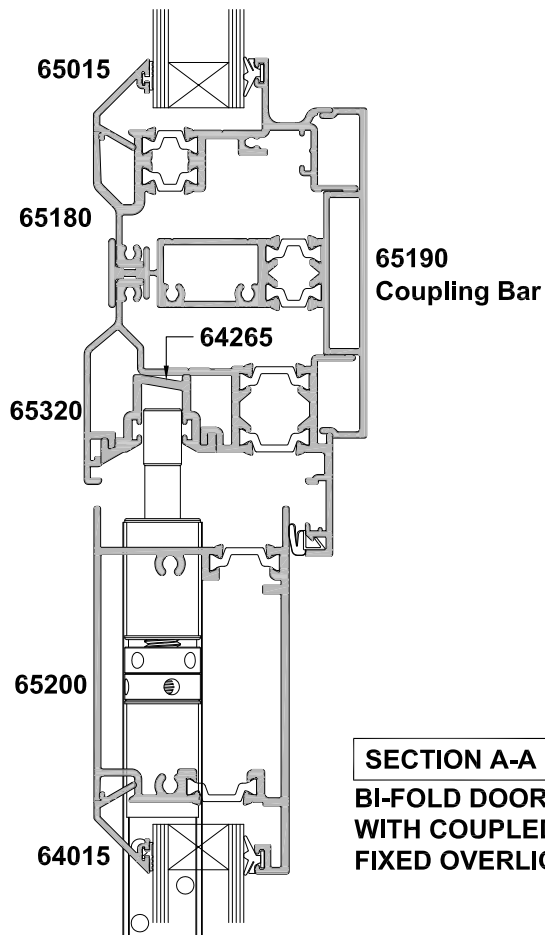
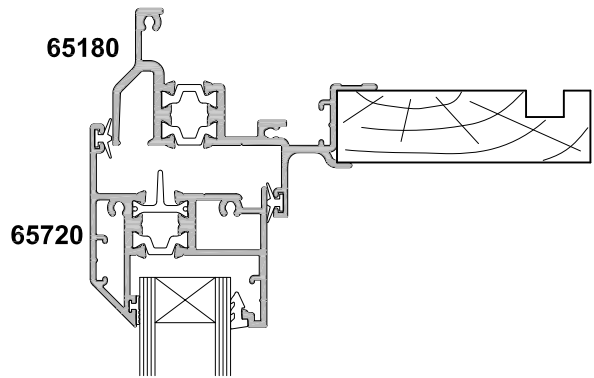
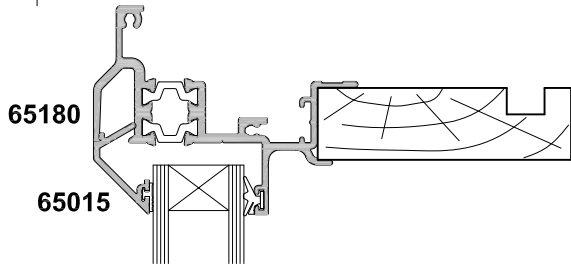
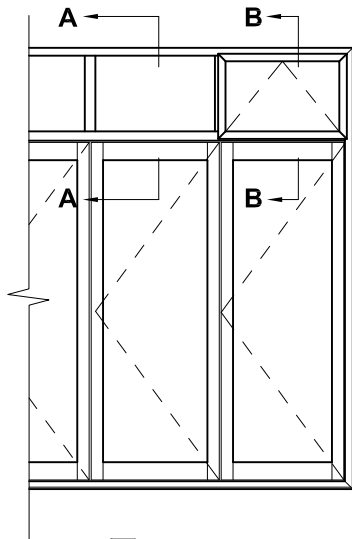


**VANTAGE THERMAL HEART
BI-FOLD DOOR
OVERLIGHT TRANSOM
CROSS SECTION**

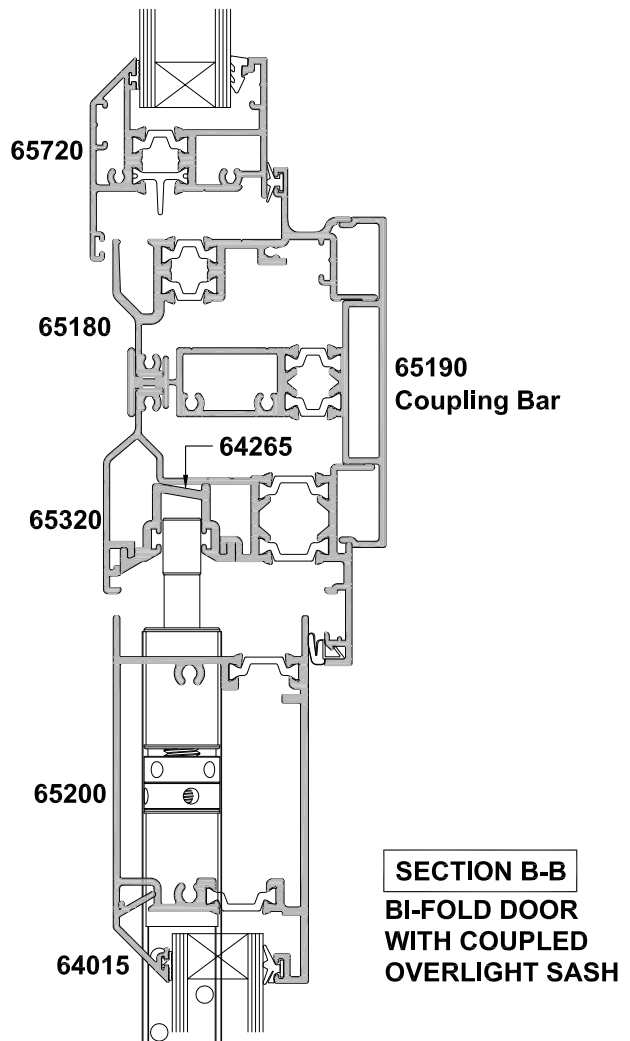
CAD REF. VRTBD03-0

DATE
01.02.18

SCALE
1:2



**SECTION A-A
BI-FOLD DOOR
WITH COUPLED
FIXED OVERLIGHT**



**SECTION B-B
BI-FOLD DOOR
WITH COUPLED
OVERLIGHT SASH**