

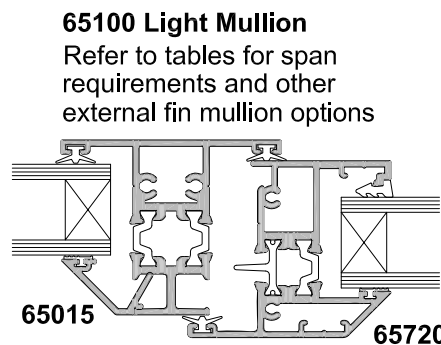
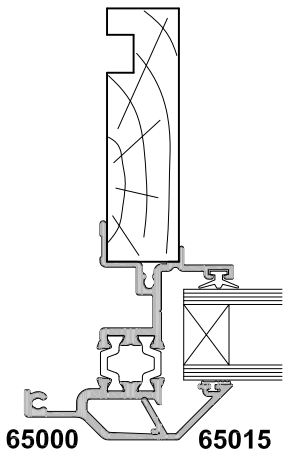
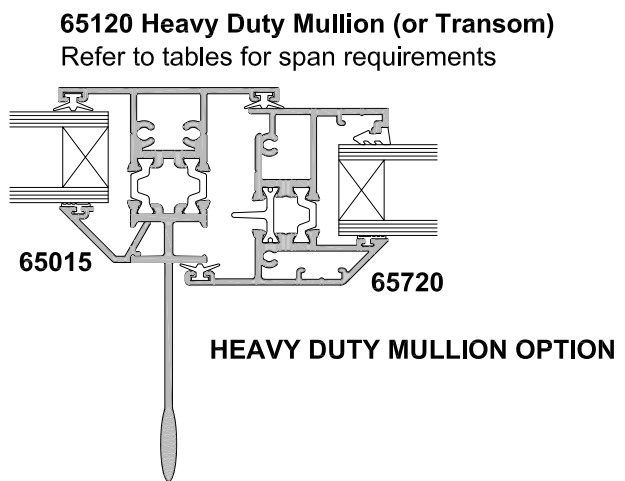
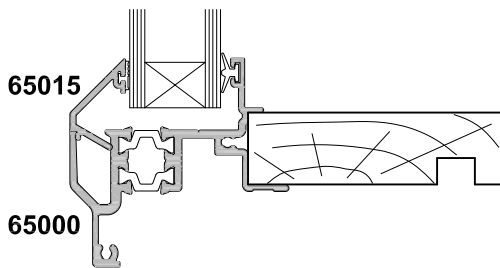
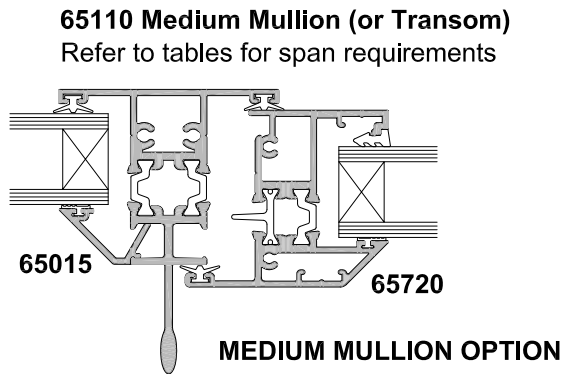
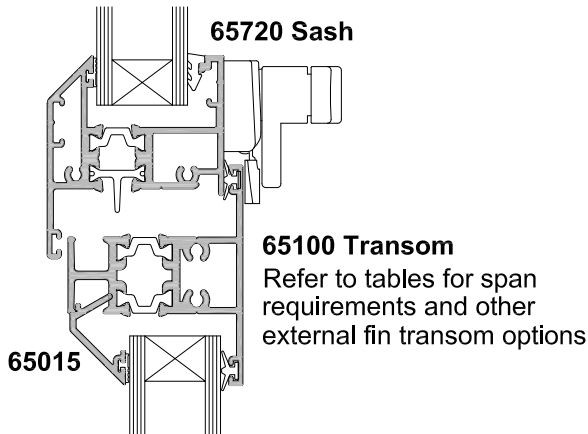
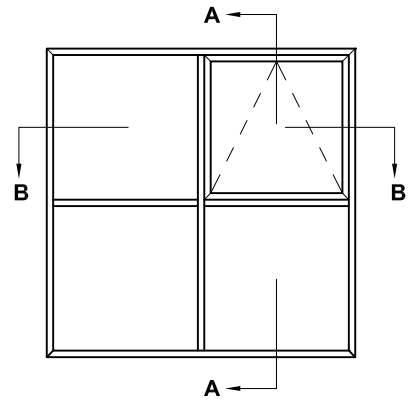
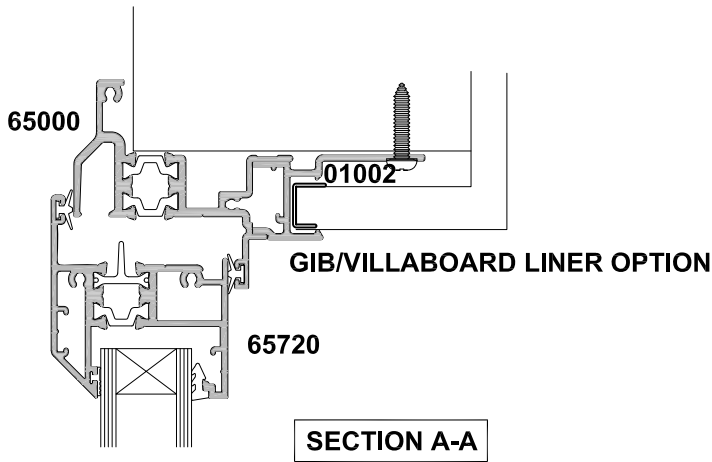


**VANTAGE THERMAL HEART
AWNING WINDOW
MULLION / TRANSOM OPTIONS
CROSS SECTION**

CAD REF. VRTAW01-0

DATE
26.01.18

SCALE
1:2



SECTION B-B

