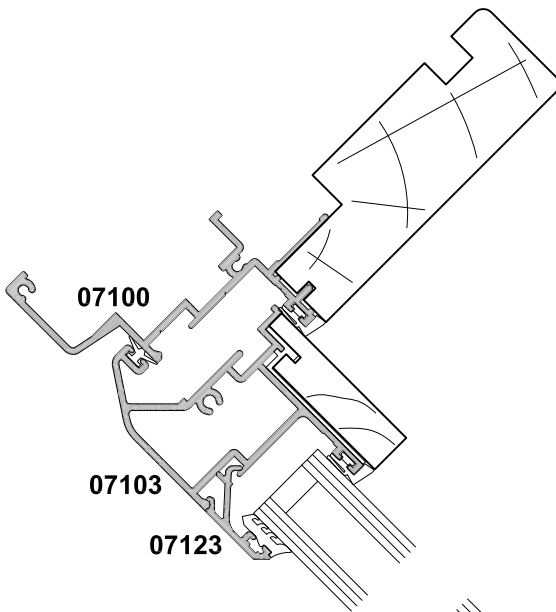
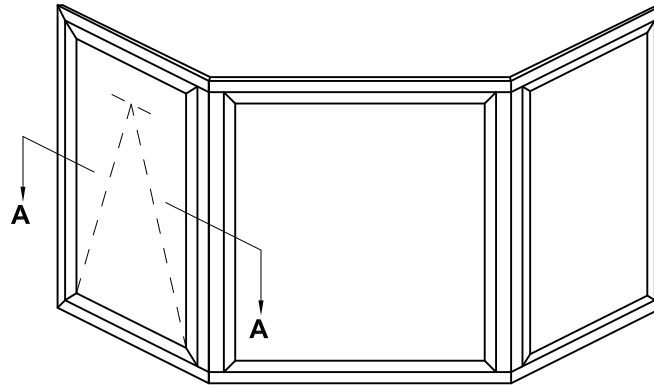


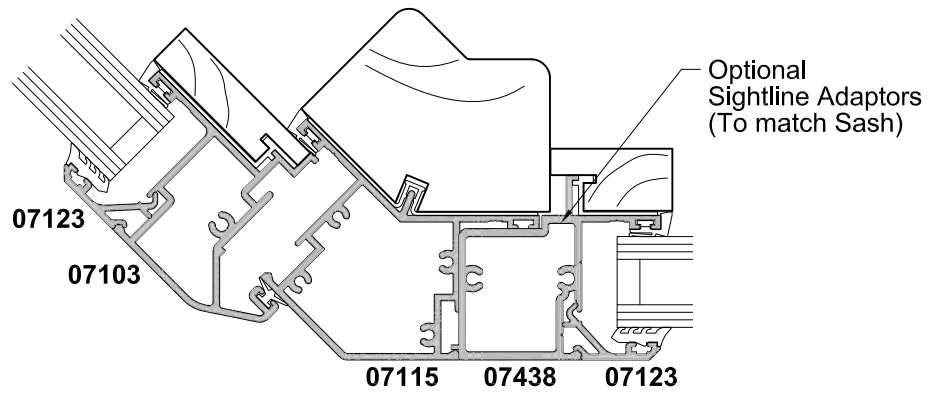


BAY WINDOW CROSS SECTION

Cad Ref. SGH02-0 Scale 1:2 Date 01.06.11



SECTION A-A



**135°
CORNER OPTION**