

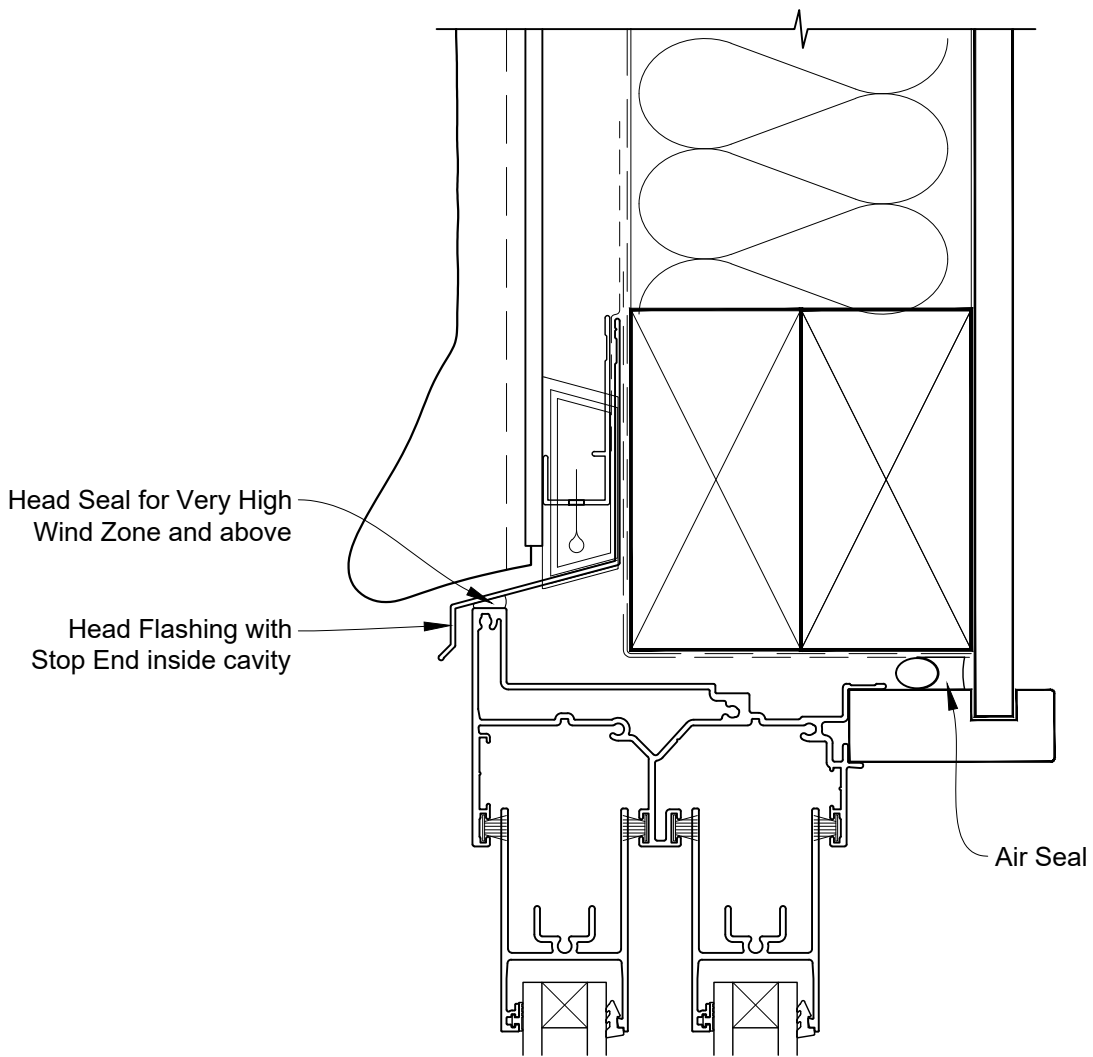


# INSTALLATION DETAIL - VANTAGE RESIDENTIAL MULTISLIDER DOOR ON STUCCO CAVITY CONSTRUCTION

Date: 01.04.19

Scale: 1:2

CAD Ref.: VRTWST-CSH



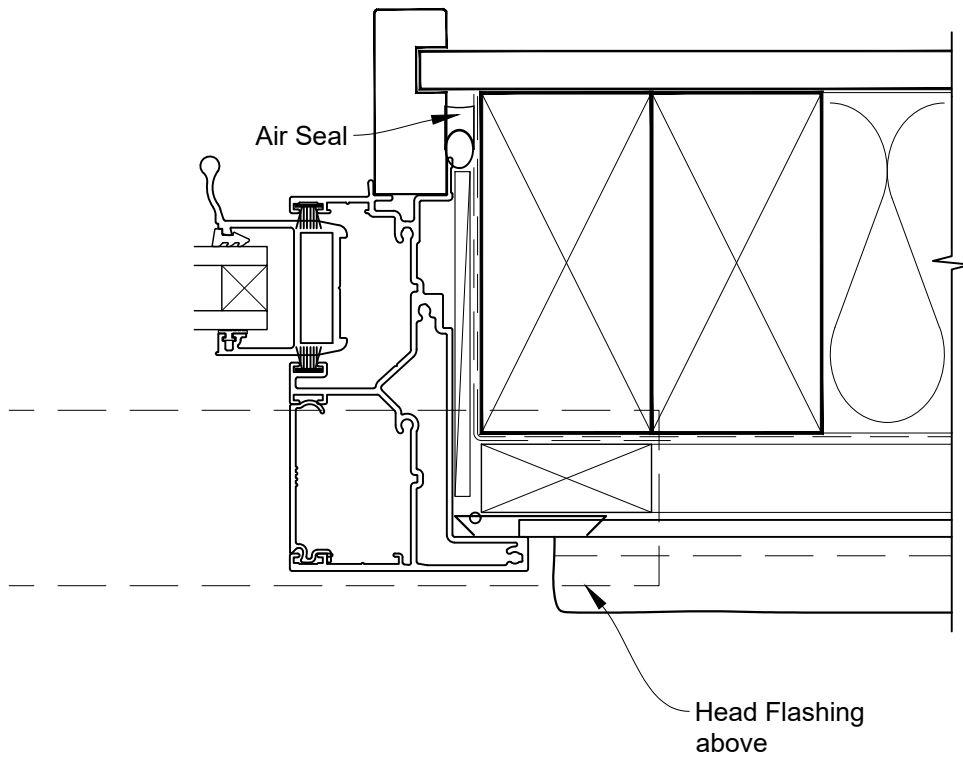


# INSTALLATION DETAIL - VANTAGE RESIDENTIAL MULTISLIDER DOOR ON STUCCO CAVITY CONSTRUCTION

Date: 01.04.19

Scale: 1:2

CAD Ref.: VRTWST-CSJ





# INSTALLATION DETAIL - VANTAGE RESIDENTIAL MULTISLIDER DOOR ON STUCCO CAVITY CONSTRUCTION

Date: 01.04.19

Scale: 1:2

CAD Ref.: VRTWST-CSS

