

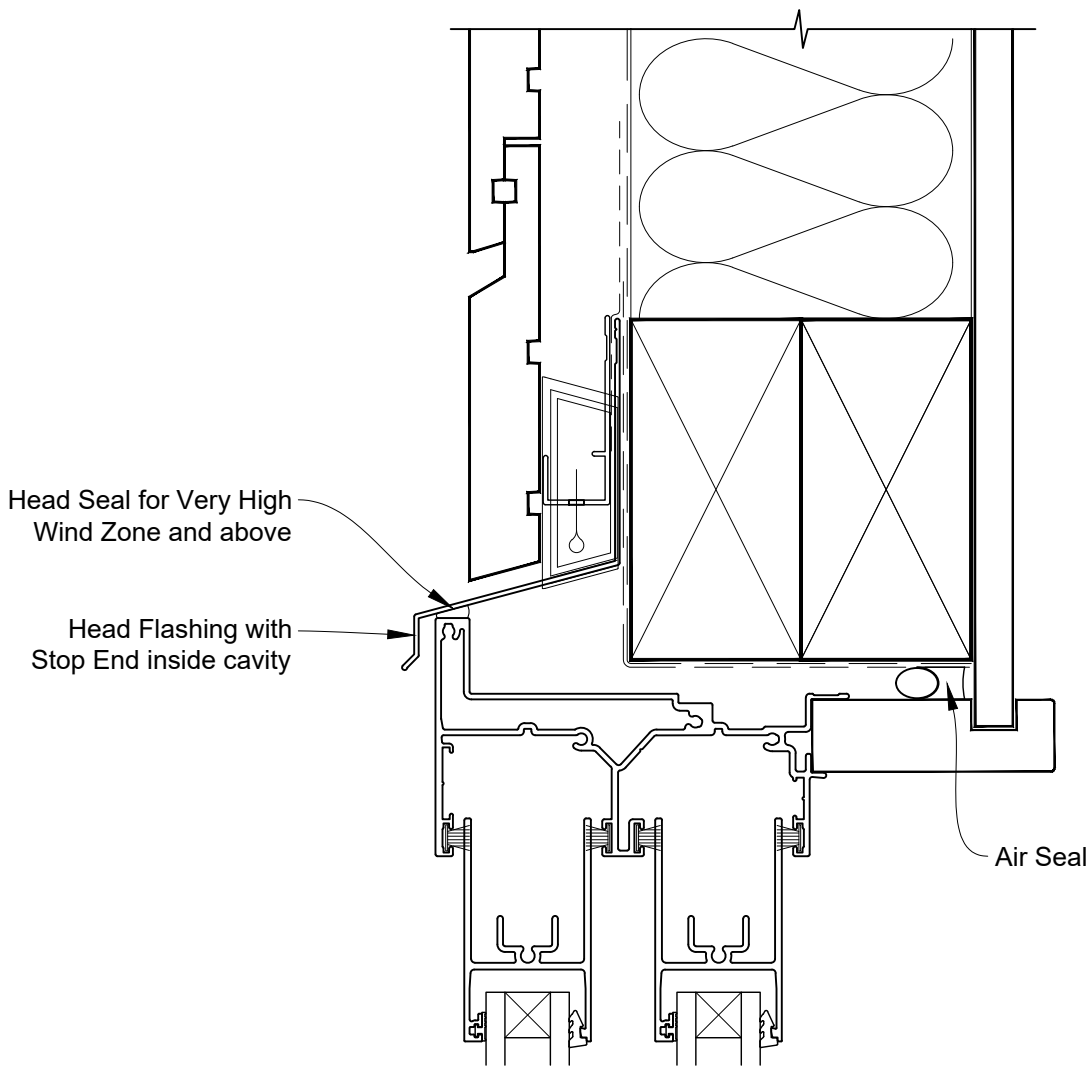


INSTALLATION DETAIL - VANTAGE RESIDENTIAL TWIN SLIDER WINDOW ON RUSTICATED WEATHERBOARD - CAVITY CONSTRUCTION

Date: 01.04.19

Scale: 1:2

CAD Ref.: VRTWRW-CSH



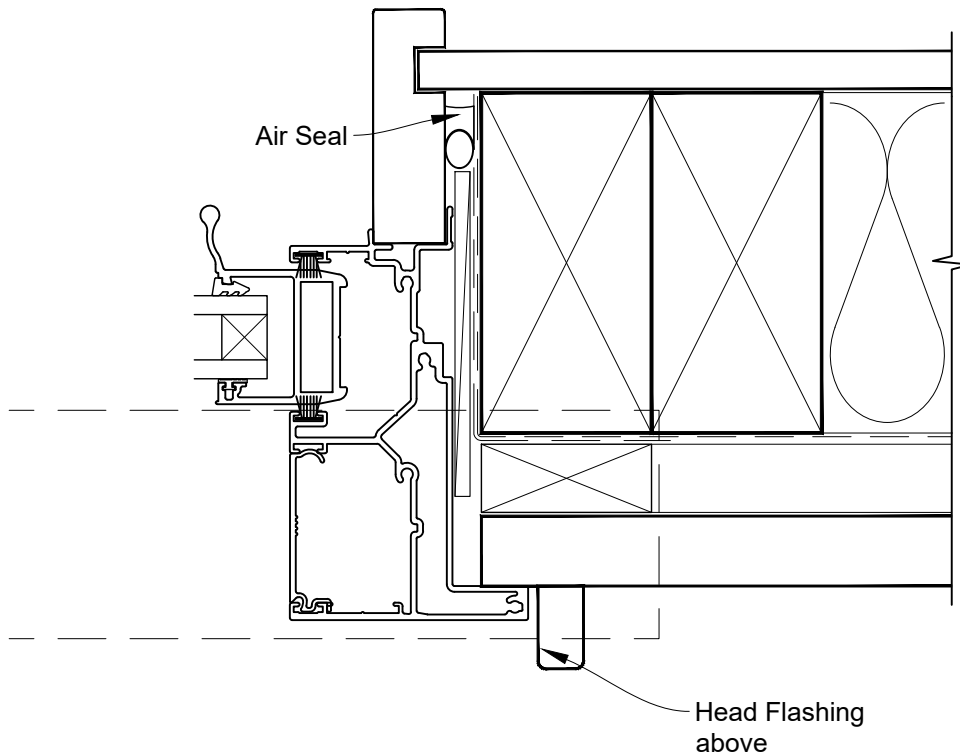


INSTALLATION DETAIL - VANTAGE RESIDENTIAL TWIN SLIDER WINDOW ON RUSTICATED WEATHERBOARD - CAVITY CONSTRUCTION

Date: 01.04.19

Scale: 1:2

CAD Ref.: VRTWRW-CSJ



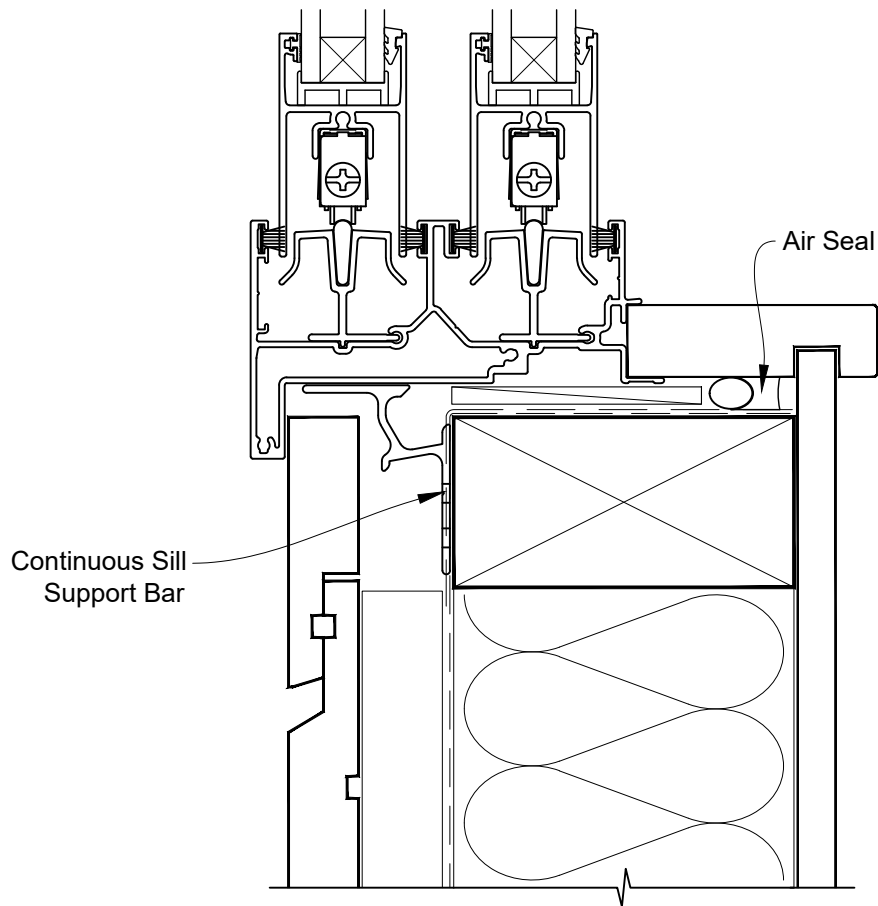


INSTALLATION DETAIL - VANTAGE RESIDENTIAL TWIN SLIDER WINDOW ON RUSTICATED WEATHERBOARD - CAVITY CONSTRUCTION

Date: 01.04.19

Scale: 1:2

CAD Ref.: VRTWRW-CSS



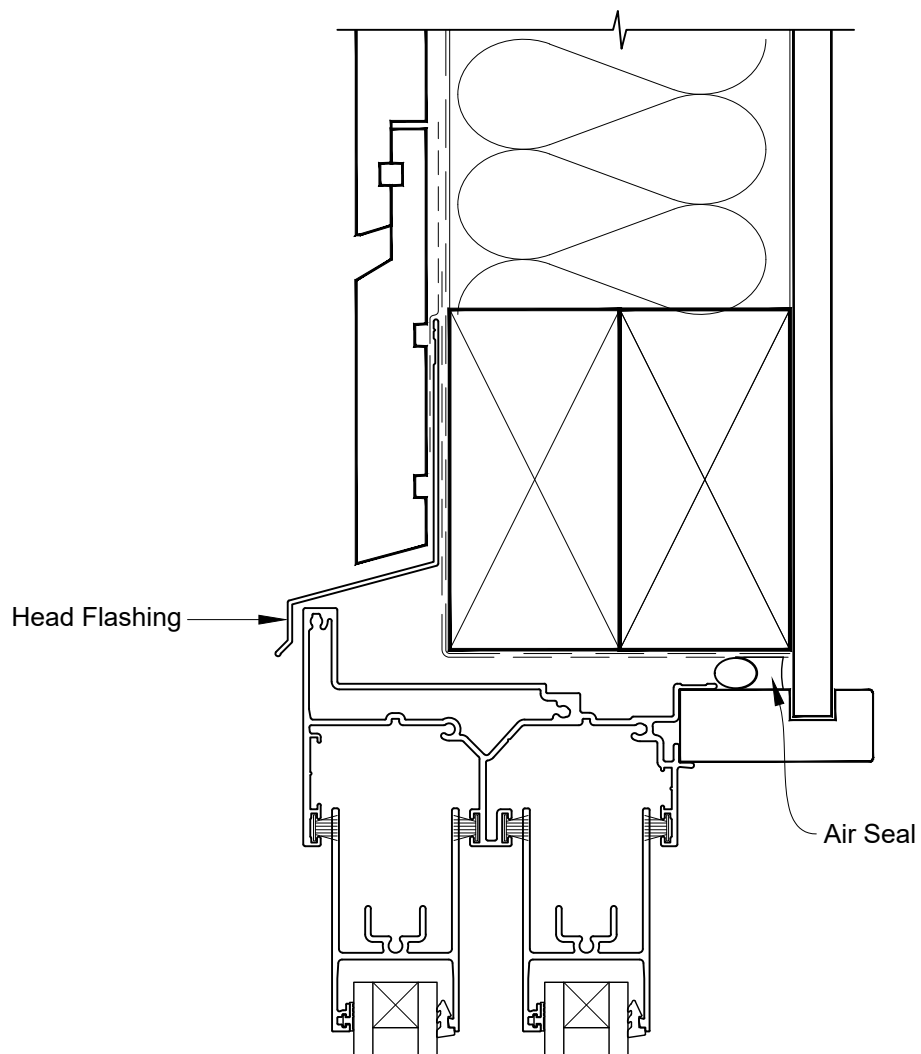


INSTALLATION DETAIL - VANTAGE RESIDENTIAL TWIN SLIDER WINDOW ON RUSTICATED WEATHERBOARD - DIRECT FIXED CONSTRUCTION

Date: 01.04.19

Scale: 1:2

CAD Ref.: VRTWRW-DSH



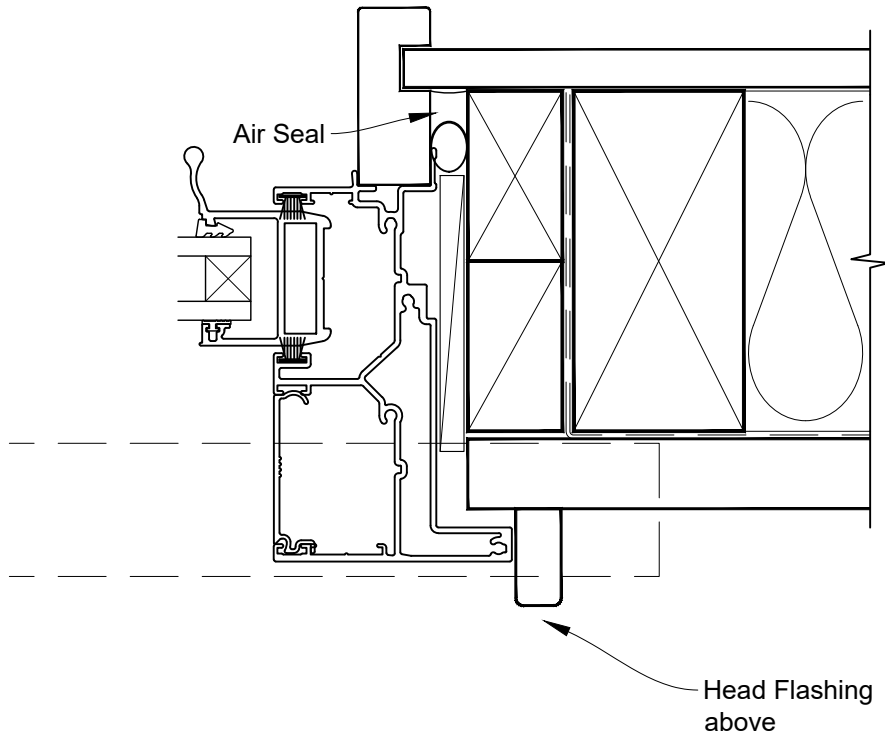


**INSTALLATION DETAIL - VANTAGE RESIDENTIAL
TWIN SLIDER WINDOW ON RUSTICATED
WEATHERBOARD - DIRECT FIXED CONSTRUCTION**

Date: 01.04.19

Scale: 1:2

CAD Ref.: VRTWRW-DSJ





INSTALLATION DETAIL - VANTAGE RESIDENTIAL TWIN SLIDER WINDOW ON RUSTICATED WEATHERBOARD - DIRECT FIXED CONSTRUCTION

Date: 01.04.19

Scale: 1:2

CAD Ref.: VRTWRW-DSS

