

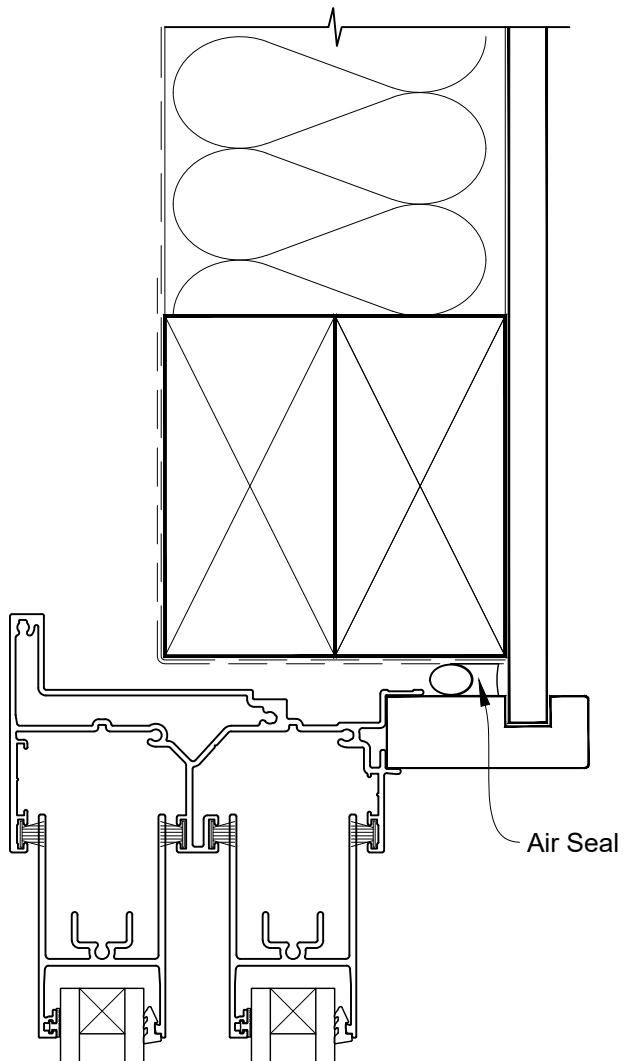


# INSTALLATION DETAIL - VANTAGE RESIDENTIAL TWIN SLIDER WINDOW ON NO CLADDING CAVITY CONSTRUCTION

Date: 01.04.19

Scale: 1:2

CAD Ref.: VRTWNC-CSH



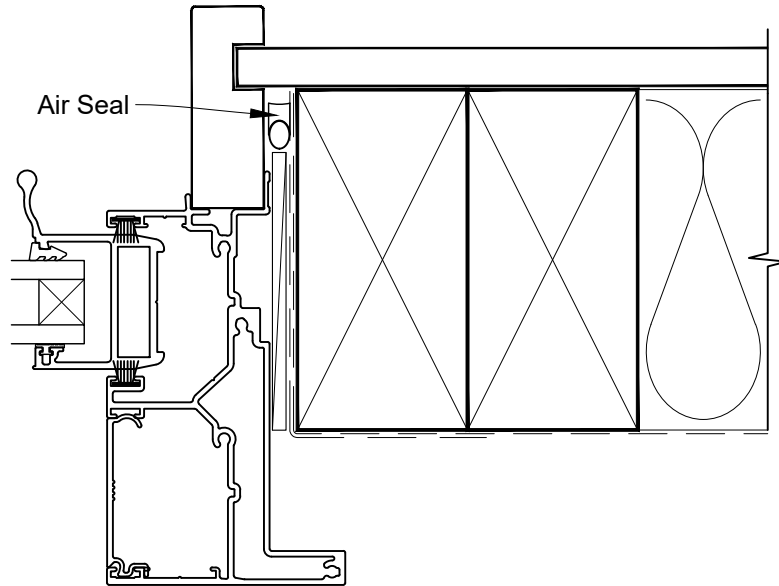


**INSTALLATION DETAIL - VANTAGE RESIDENTIAL  
TWIN SLIDER WINDOW ON NO CLADDING  
CAVITY CONSTRUCTION**

Date: 01.04.19

Scale: 1:2

CAD Ref.: VRTWNC-CSJ





**INSTALLATION DETAIL - VANTAGE RESIDENTIAL  
TWIN SLIDER WINDOW ON NO CLADDING  
CAVITY CONSTRUCTION**

Date: 01.04.19

Scale: 1:2

CAD Ref.: VRTWNC-CSS

