

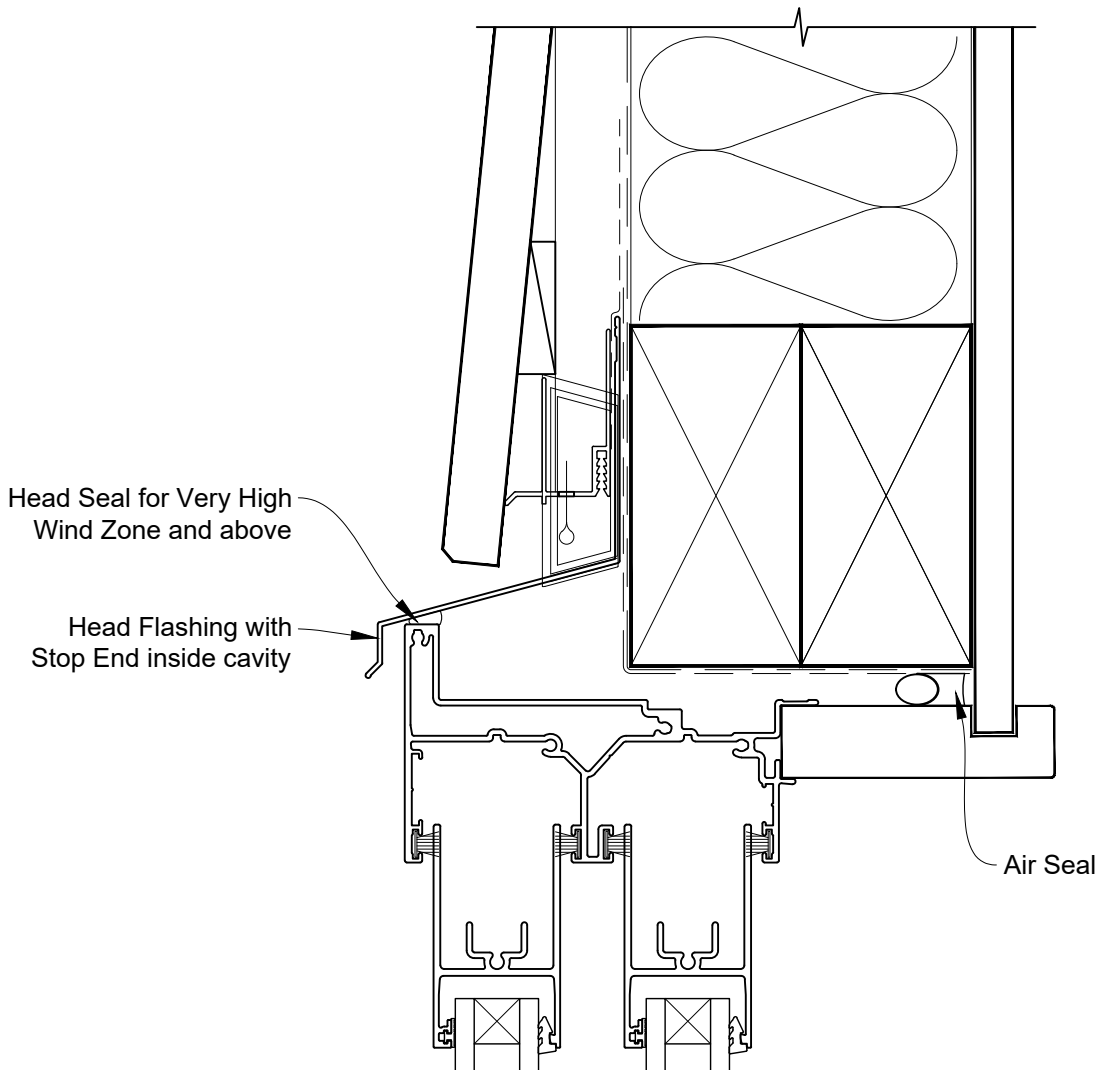


INSTALLATION DETAIL - VANTAGE RESIDENTIAL TWIN SLIDER WINDOW ON BEVELBACK WEATHERBOARD - CAVITY CONSTRUCTION

Date: 01.04.19

Scale: 1:2

CAD Ref.: VRTWBW-CSH



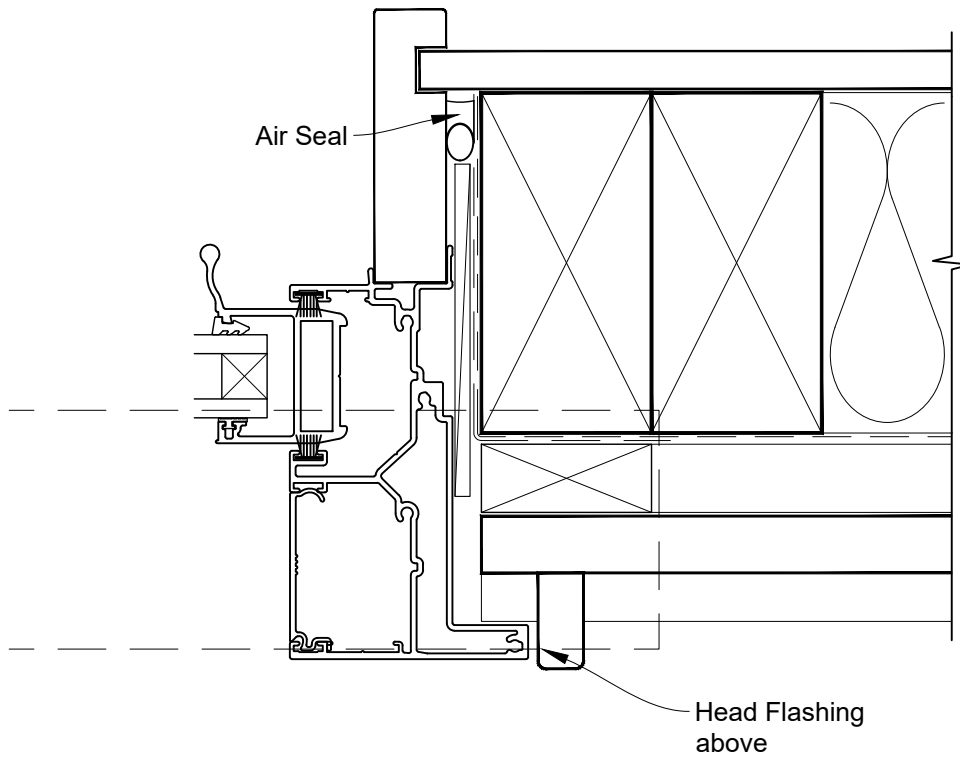


**INSTALLATION DETAIL - VANTAGE RESIDENTIAL
TWIN SLIDER WINDOW ON BEVELBACK
WEATHERBOARD - CAVITY CONSTRUCTION**

Date: 01.04.19

Scale: 1:2

CAD Ref.: VRTWBW-CSJ



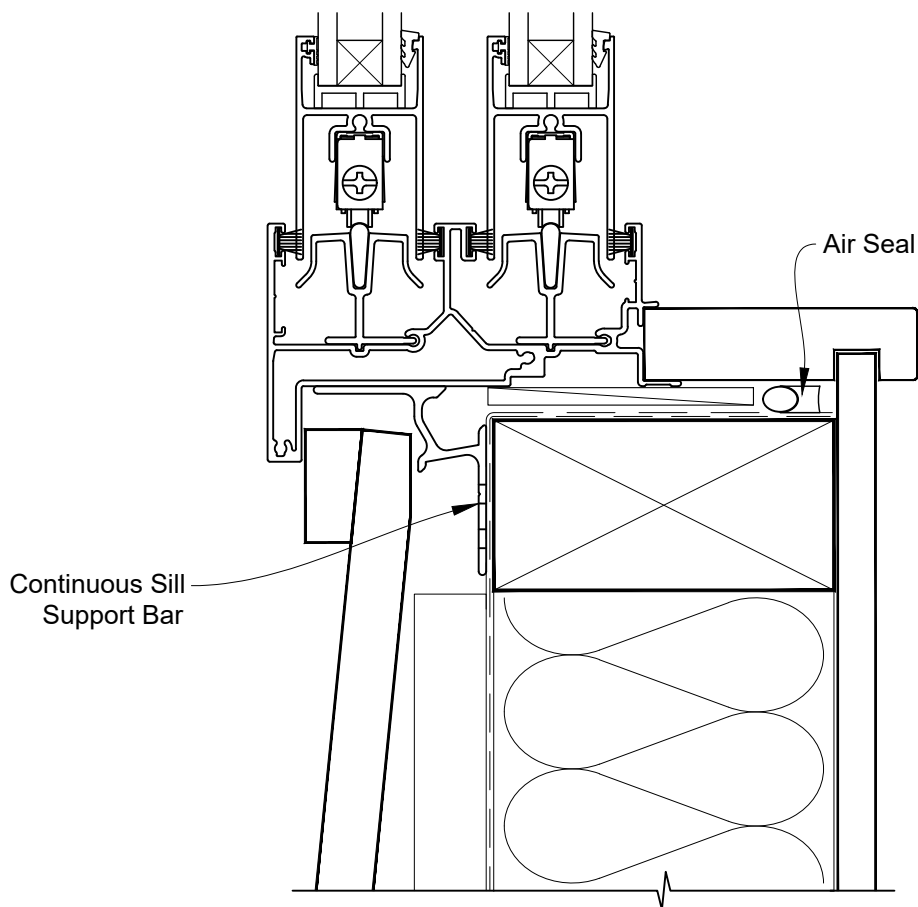


**INSTALLATION DETAIL - VANTAGE RESIDENTIAL
TWIN SLIDER WINDOW ON BEVELBACK
WEATHERBOARD - CAVITY CONSTRUCTION**

Date: 01.04.19

Scale: 1:2

CAD Ref.: VRTWBW-CSS



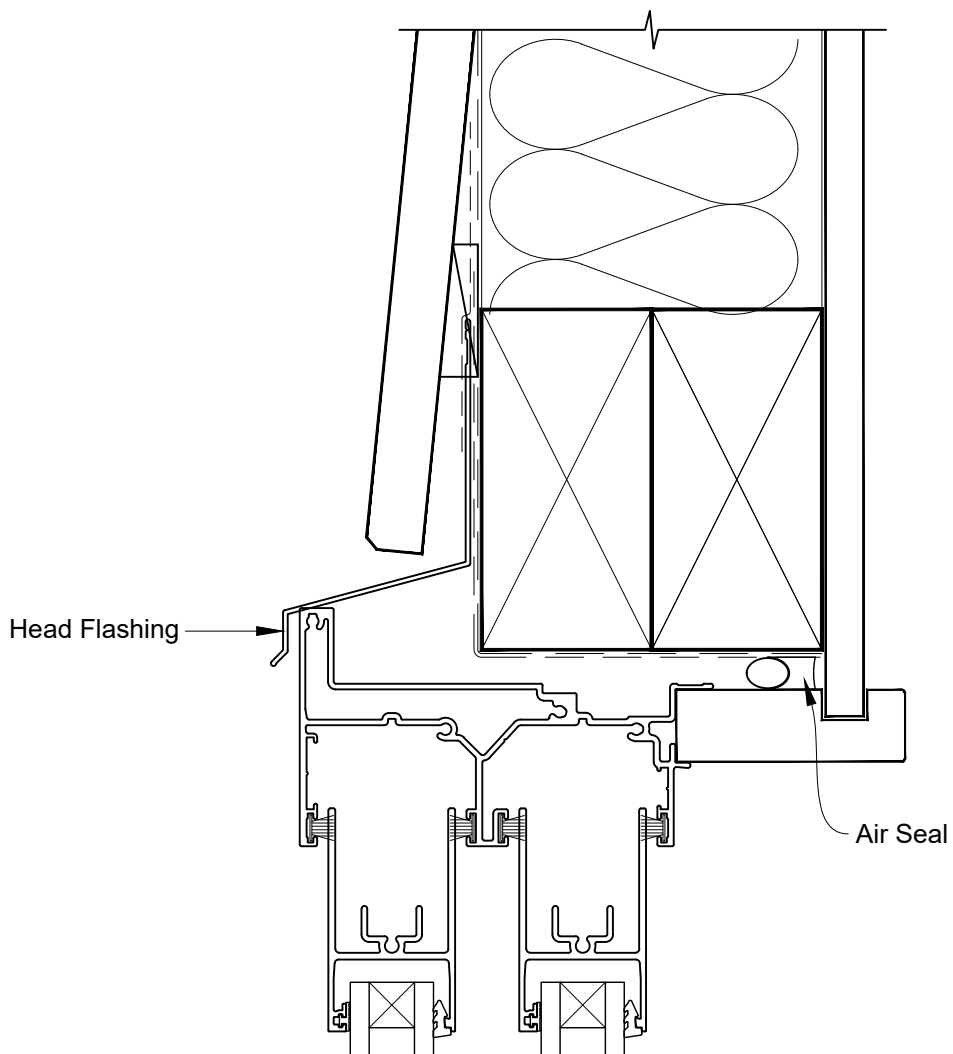


**INSTALLATION DETAIL - VANTAGE RESIDENTIAL
TWIN SLIDER WINDOW ON BEVELBACK
WEATHERBOARD - DIRECT FIXED CONSTRUCTION**

Date: 01.04.19

Scale: 1:2

CAD Ref.: VRTWBW-DSH



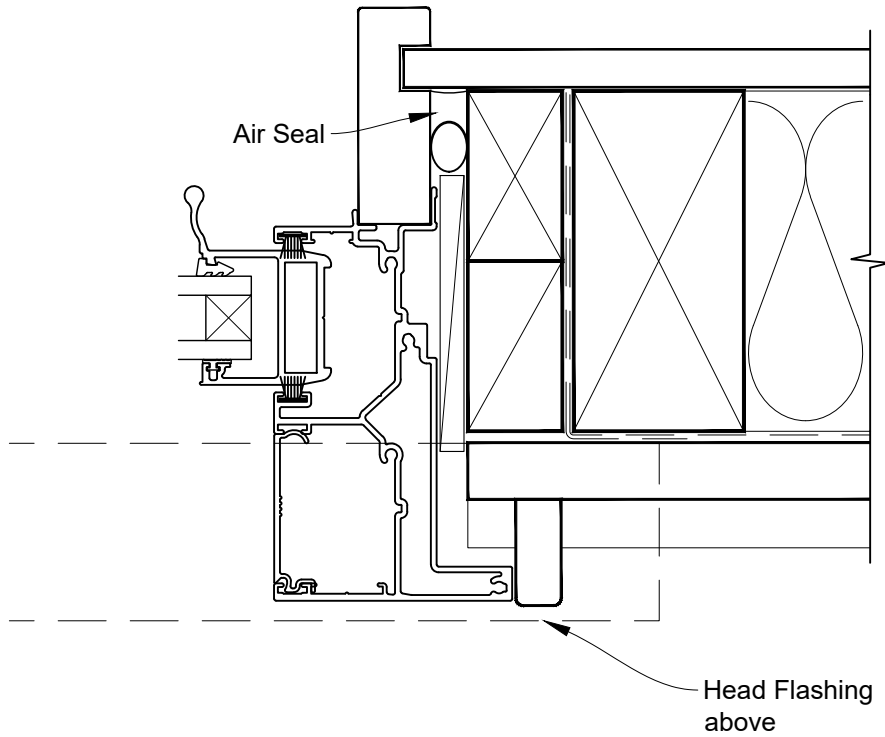


**INSTALLATION DETAIL - VANTAGE RESIDENTIAL
TWIN SLIDER WINDOW ON BEVELBACK
WEATHERBOARD - DIRECT FIXED CONSTRUCTION**

Date: 01.04.19

Scale: 1:2

CAD Ref.: VRTWBW-DSJ





**INSTALLATION DETAIL - VANTAGE RESIDENTIAL
TWIN SLIDER WINDOW ON BEVELBACK
WEATHERBOARD - DIRECT FIXED CONSTRUCTION**

Date: 01.04.19

Scale: 1:2

CAD Ref.: VRTWBW-DSS

