

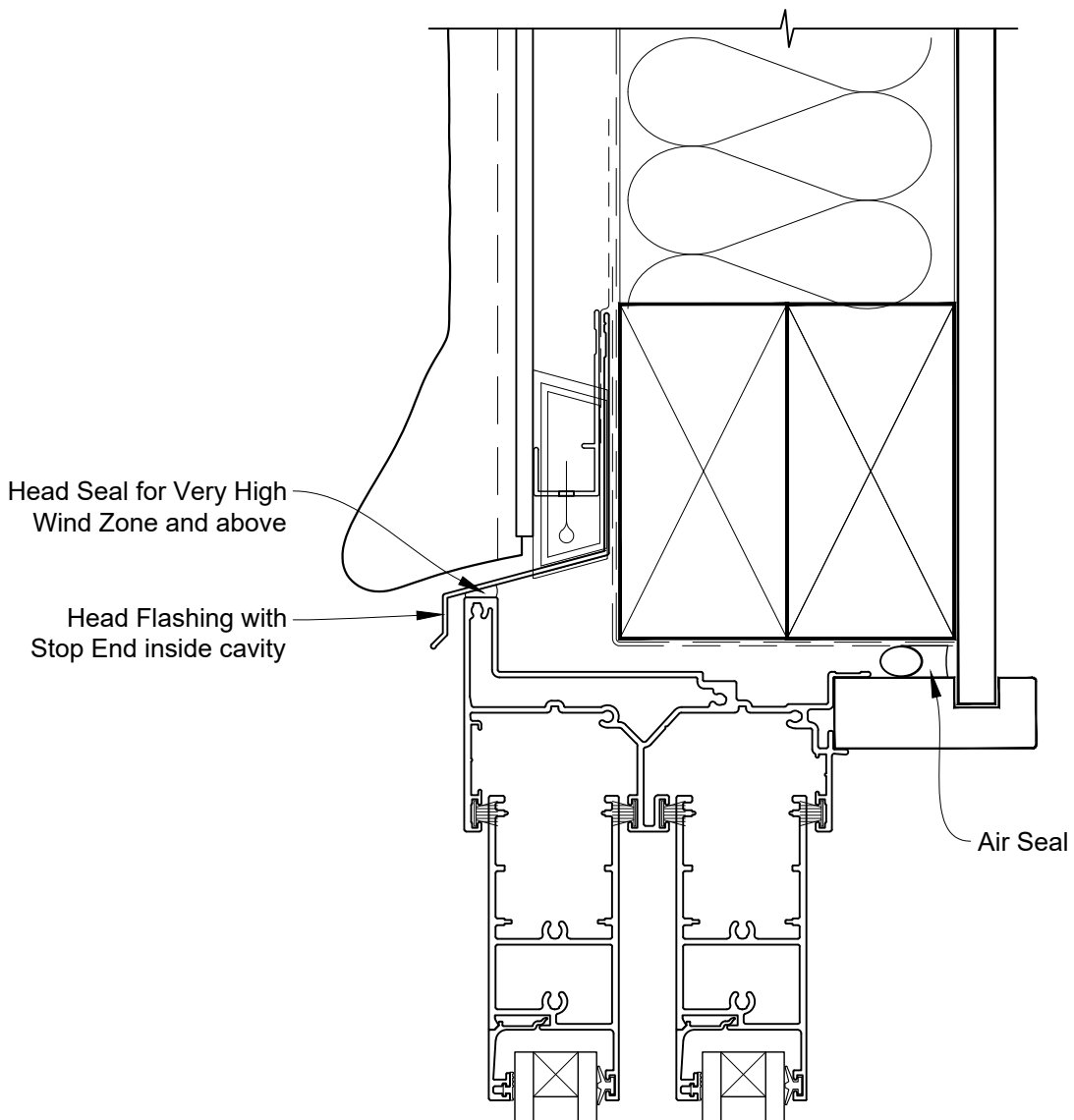


INSTALLATION DETAIL - VANTAGE RESIDENTIAL TWIN SLIDER DOOR ON STUCCO CAVITY CONSTRUCTION

Date: 01.04.19

Scale: 1:2

CAD Ref.: VRTSST-CSH



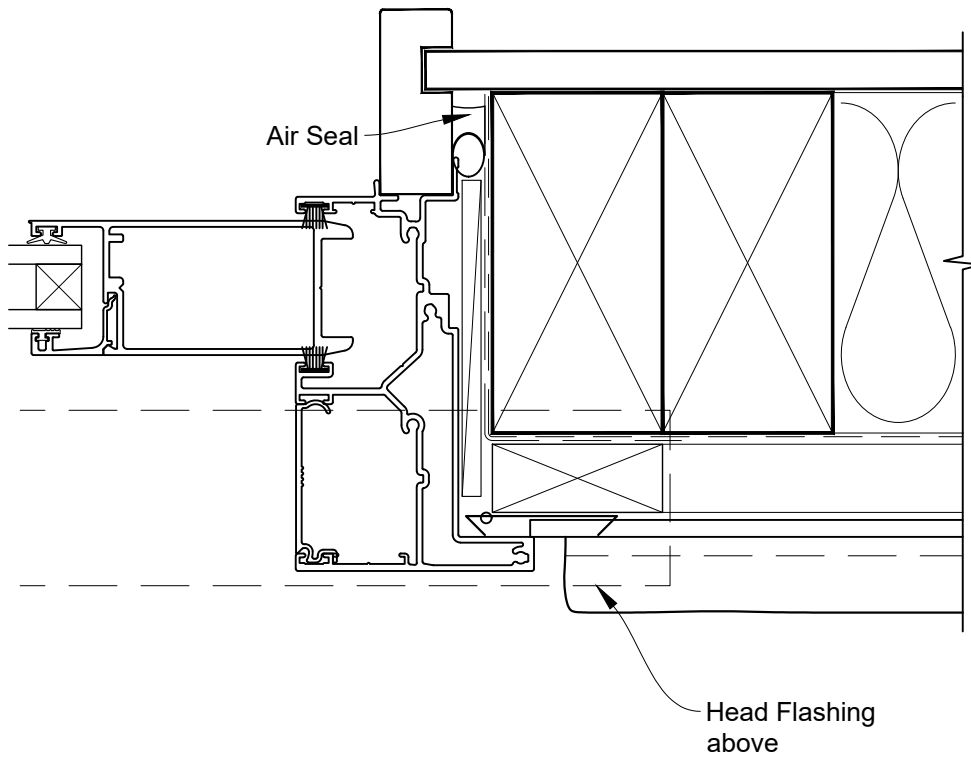


INSTALLATION DETAIL - VANTAGE RESIDENTIAL TWIN SLIDER DOOR ON STUCCO CAVITY CONSTRUCTION

Date: 01.04.19

Scale: 1:2

CAD Ref.: VRTSST-CSJ





INSTALLATION DETAIL - VANTAGE RESIDENTIAL TWIN SLIDER DOOR ON STUCCO CAVITY CONSTRUCTION

Date: 01.04.19

Scale: 1:2

CAD Ref.: VRTSST-CSS

