

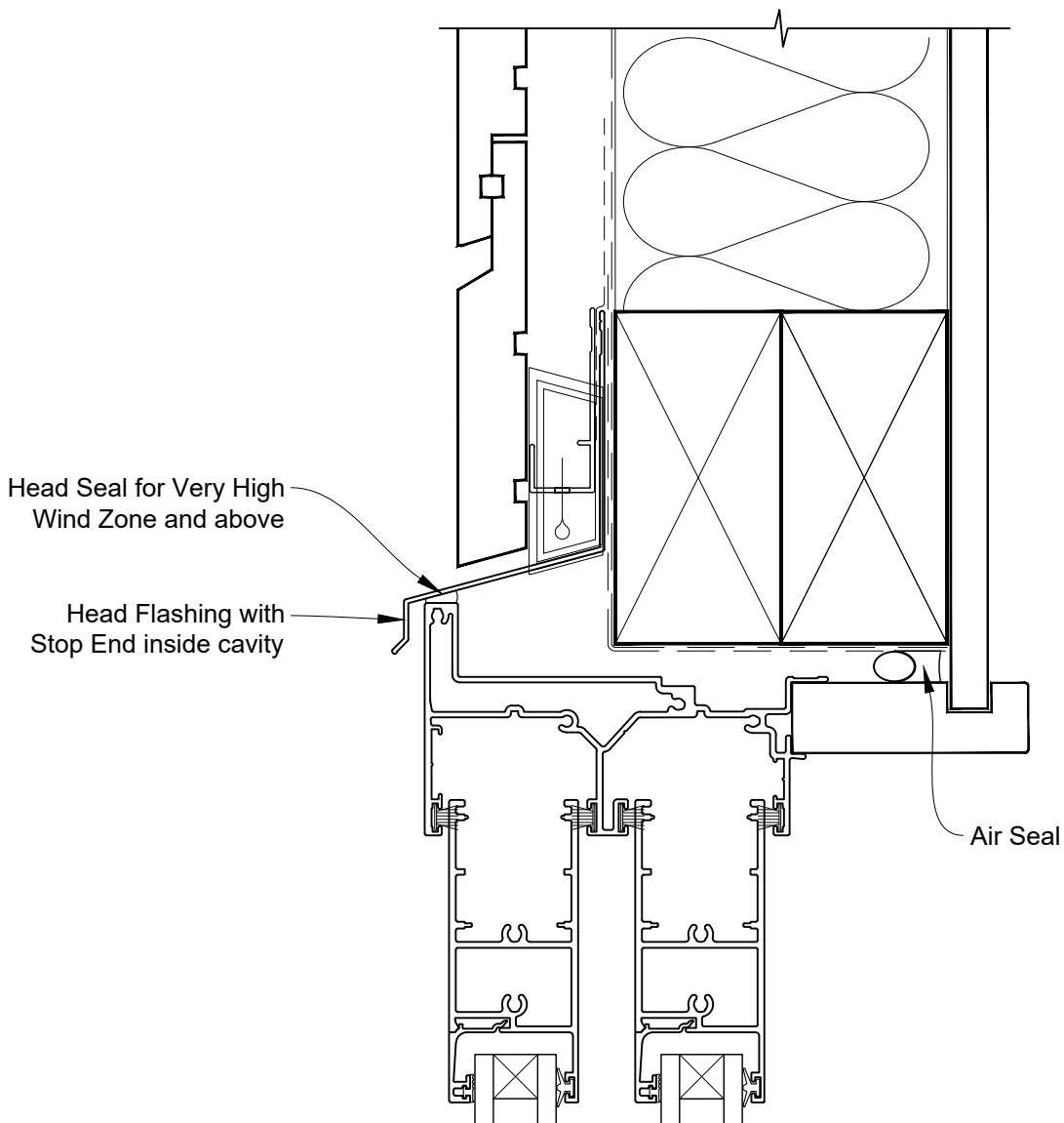


# INSTALLATION DETAIL - VANTAGE RESIDENTIAL TWIN SLIDER DOOR ON RUSTICATED WEATHERBOARD CAVITY CONSTRUCTION

Date: 01.04.19

Scale: 1:2

CAD Ref.: VRTSRW-CSH



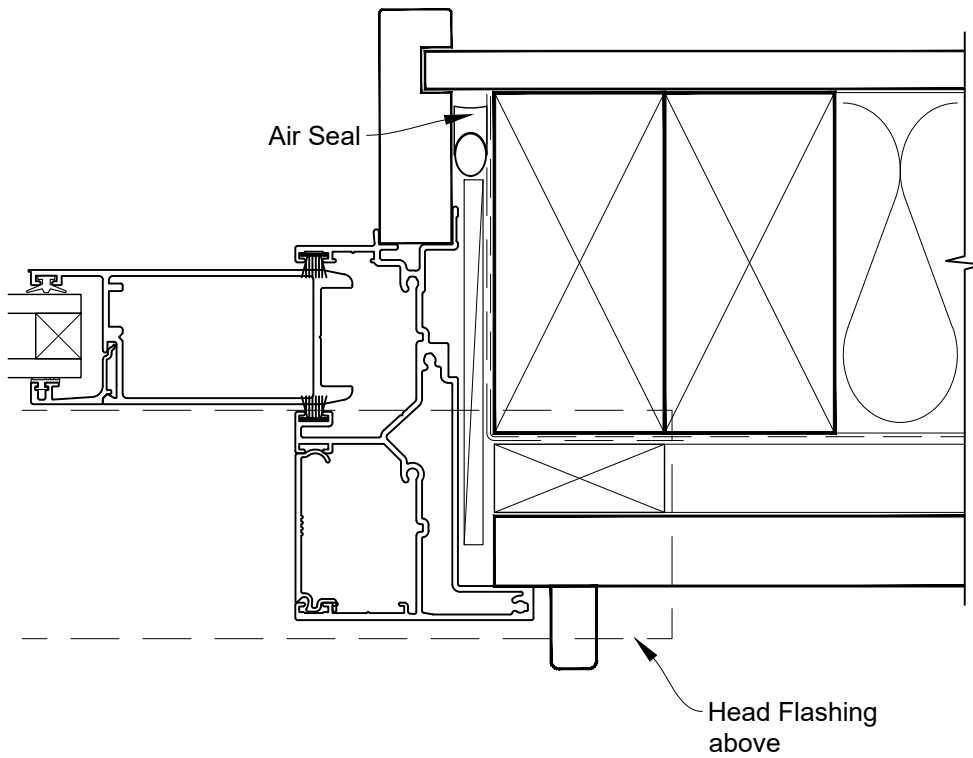


# INSTALLATION DETAIL - VANTAGE RESIDENTIAL TWIN SLIDER DOOR ON RUSTICATED WEATHERBOARD CAVITY CONSTRUCTION

Date: 01.04.19

Scale: 1:2

CAD Ref.: VRTSRW-CSJ



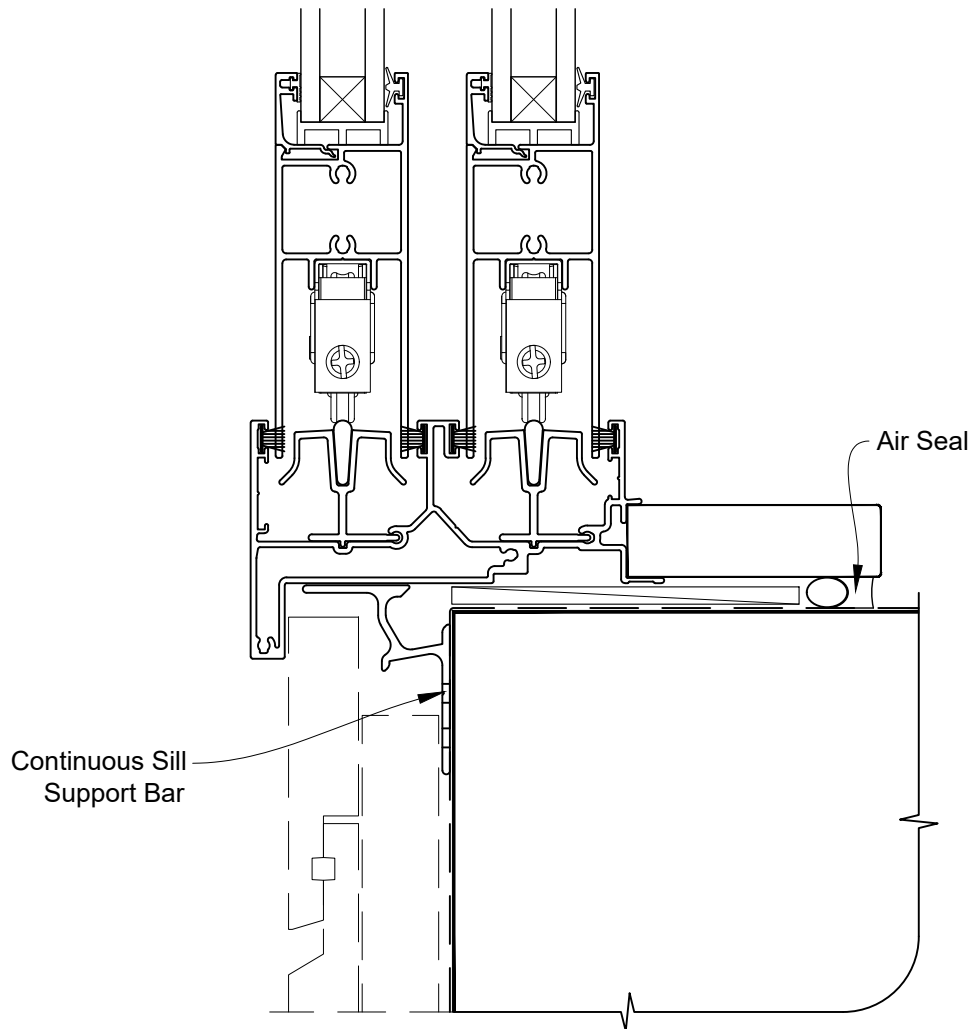


# INSTALLATION DETAIL - VANTAGE RESIDENTIAL TWIN SLIDER DOOR ON RUSTICATED WEATHERBOARD CAVITY CONSTRUCTION

Date: 01.04.19

Scale: 1:2

CAD Ref.: VRTSRW-CSS



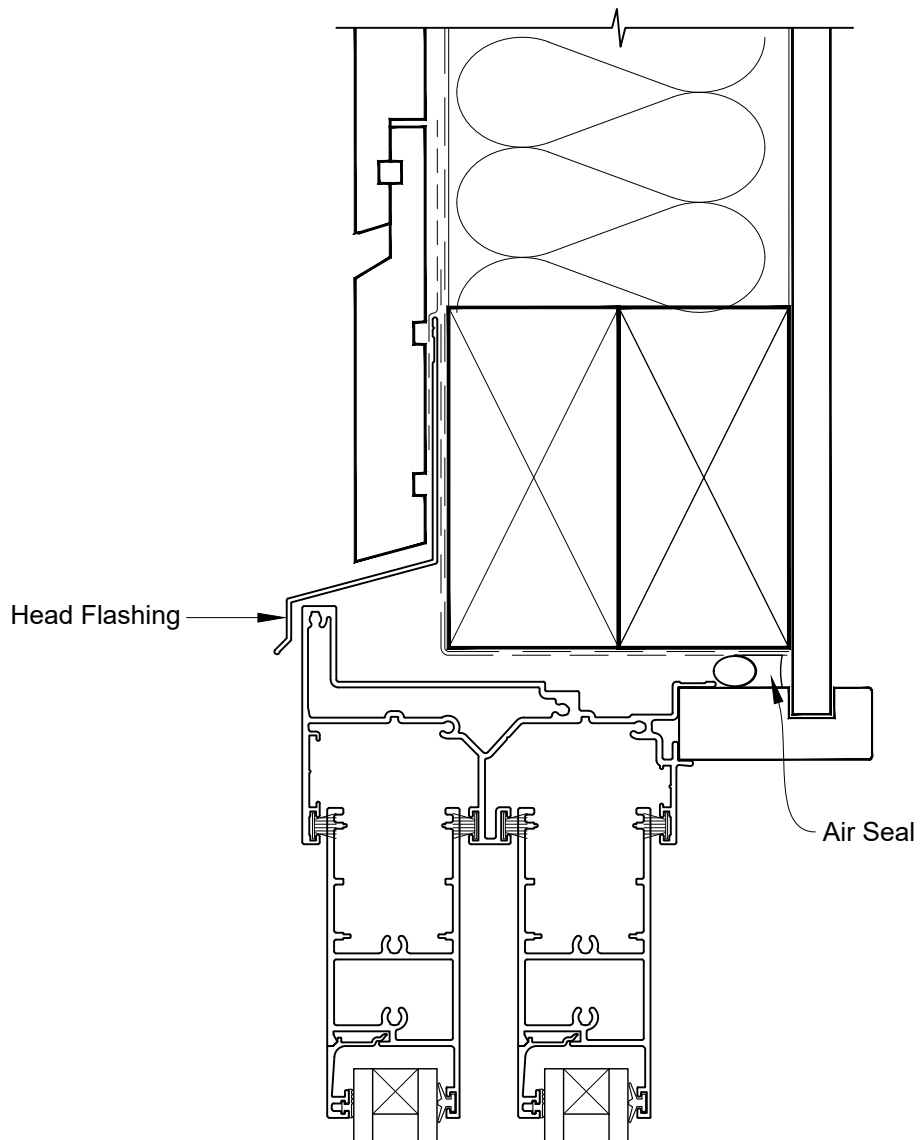


**INSTALLATION DETAIL - VANTAGE RESIDENTIAL  
TWIN SLIDER DOOR ON RUSTICATED WEATHERBOARD  
DIRECT FIXED CONSTRUCTION**

Date: 01.04.19

Scale: 1:2

CAD Ref.: VRTSRW-DSH



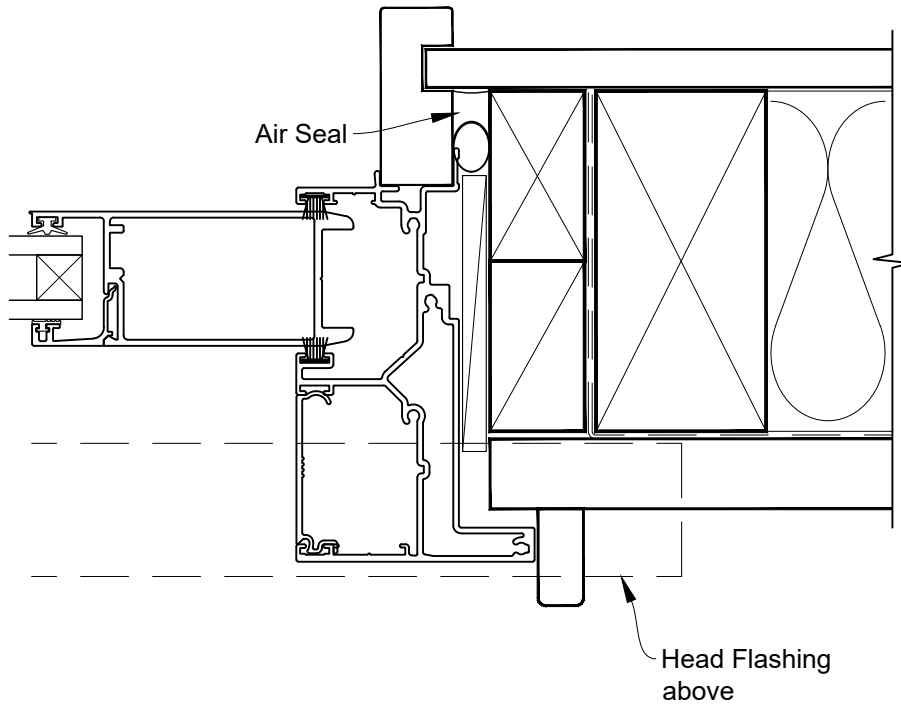


**INSTALLATION DETAIL - VANTAGE RESIDENTIAL  
TWIN SLIDER DOOR ON RUSTICATED WEATHERBOARD  
DIRECT FIXED CONSTRUCTION**

Date: 01.04.19

Scale: 1:2

CAD Ref.: VRTSRW-DSJ





# INSTALLATION DETAIL - VANTAGE RESIDENTIAL TWIN SLIDER DOOR ON RUSTICATED WEATHERBOARD DIRECT FIXED CONSTRUCTION

Date: 01.04.19

Scale: 1:2

CAD Ref.: VRTSRW-DSS

