

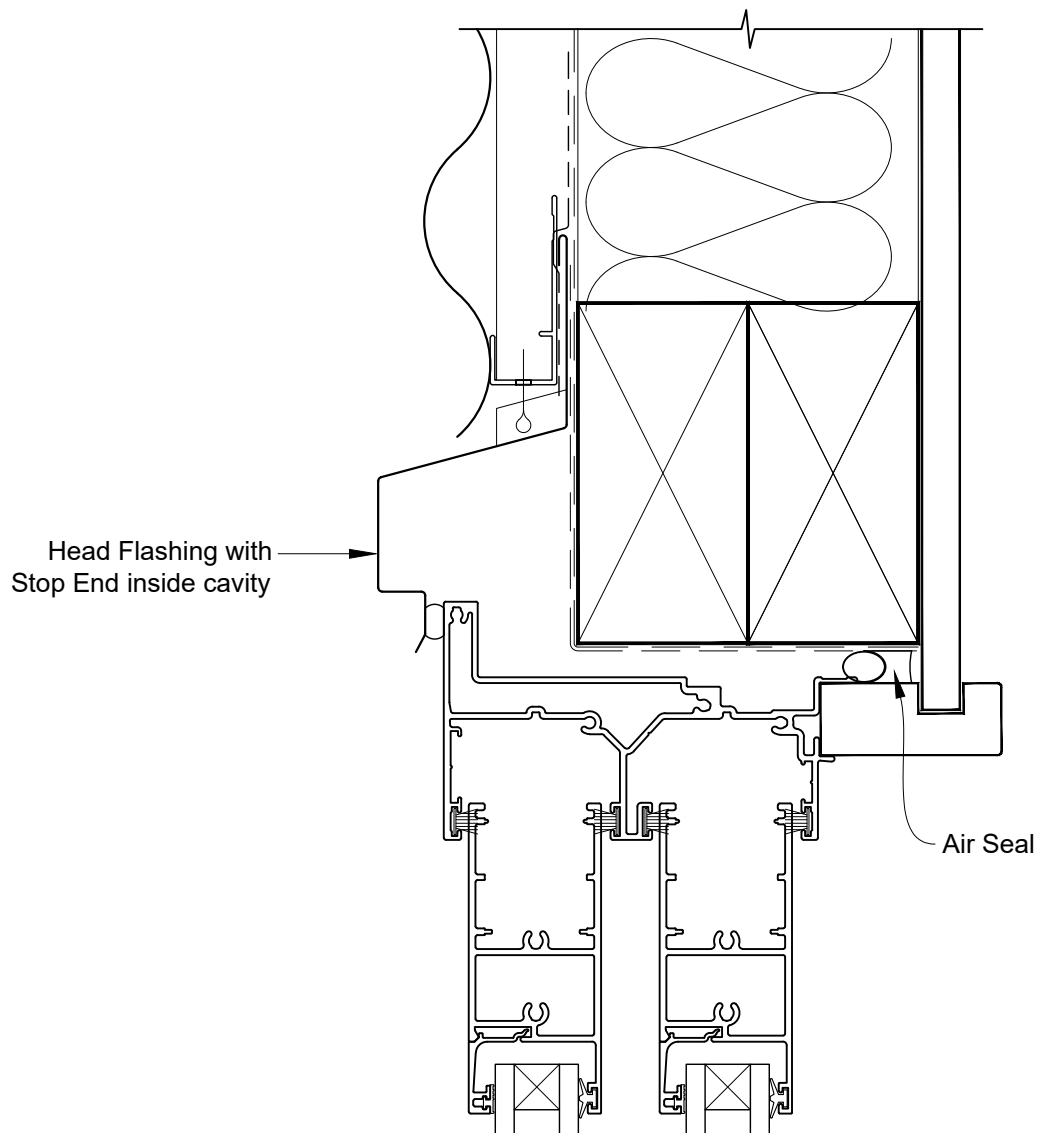


INSTALLATION DETAIL - VANTAGE RESIDENTIAL TWIN SLIDER DOOR ON PROFILE METAL CAVITY CONSTRUCTION

Date: 01.04.19

Scale: 1:2

CAD Ref.: VRTSPM-CSH



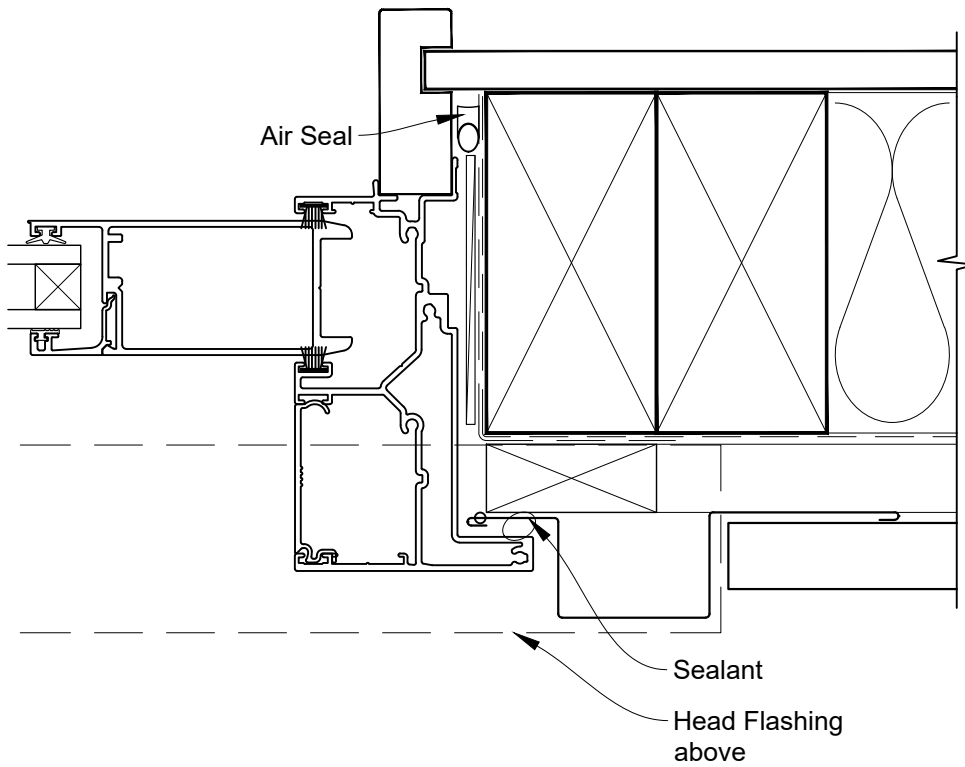


INSTALLATION DETAIL - VANTAGE RESIDENTIAL TWIN SLIDER DOOR ON PROFILE METAL CAVITY CONSTRUCTION

Date: 01.04.19

Scale: 1:2

CAD Ref.: VRTSPM-CSJ



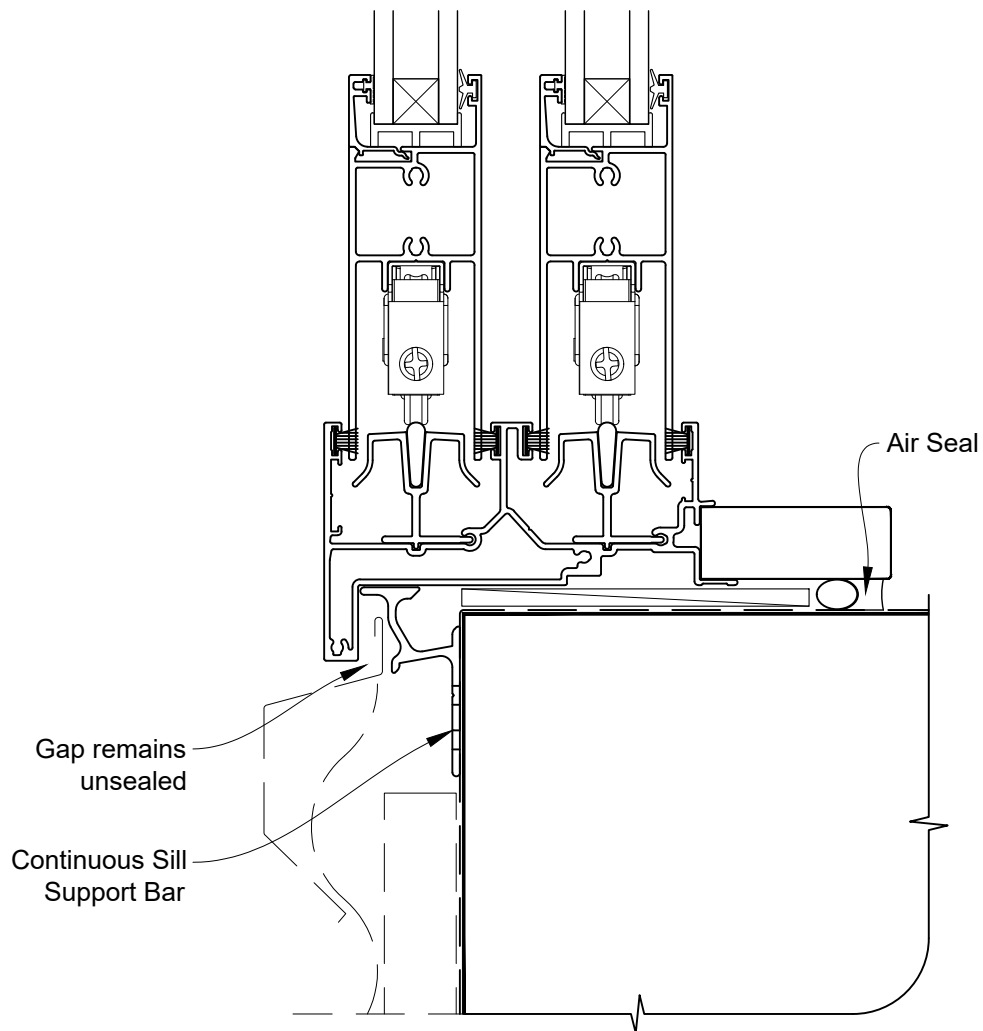


INSTALLATION DETAIL - VANTAGE RESIDENTIAL TWIN SLIDER DOOR ON PROFILE METAL CAVITY CONSTRUCTION

Date: 01.04.19

Scale: 1:2

CAD Ref.: VRTSPM-CSS



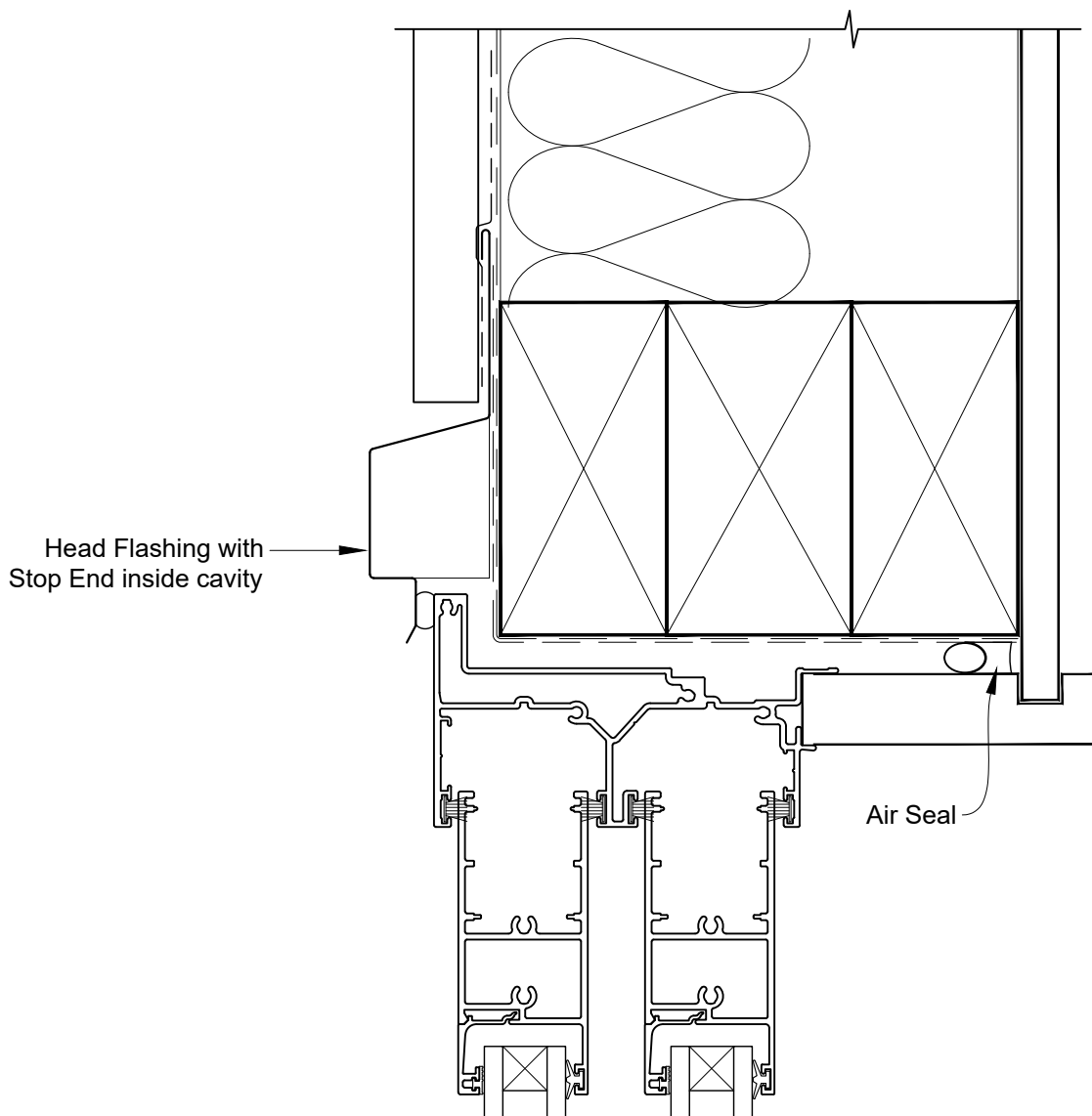


**INSTALLATION DETAIL - VANTAGE RESIDENTIAL
TWIN SLIDER DOOR ON PROFILE METAL
DIRECT FIXED CONSTRUCTION**

Date: 01.04.19

Scale: 1:2

CAD Ref.: VRTSPM-DSH



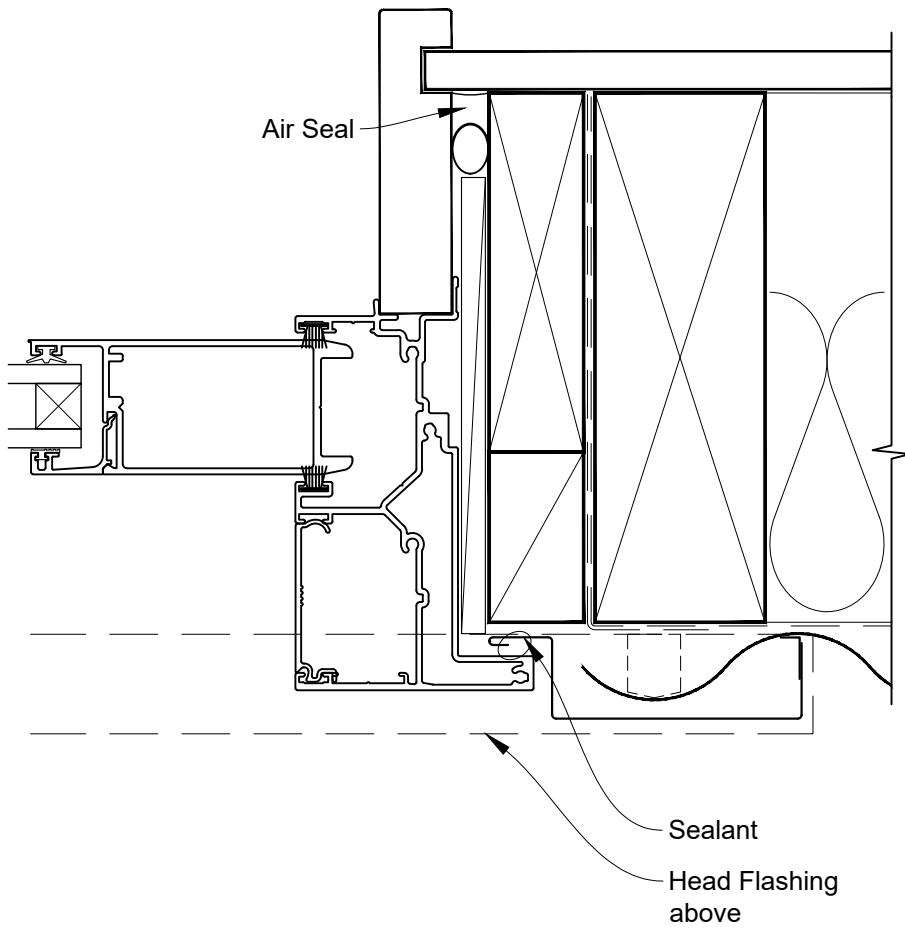


**INSTALLATION DETAIL - VANTAGE RESIDENTIAL
TWIN SLIDER DOOR ON PROFILE METAL
DIRECT FIXED CONSTRUCTION**

Date: 01.04.19

Scale: 1:2

CAD Ref.: VRTSPM-DSJ





INSTALLATION DETAIL - VANTAGE RESIDENTIAL TWIN SLIDER DOOR ON PROFILE METAL DIRECT FIXED CONSTRUCTION

Date: 01.04.19

Scale: 1:2

CAD Ref.: VRTSPM-DSS

