

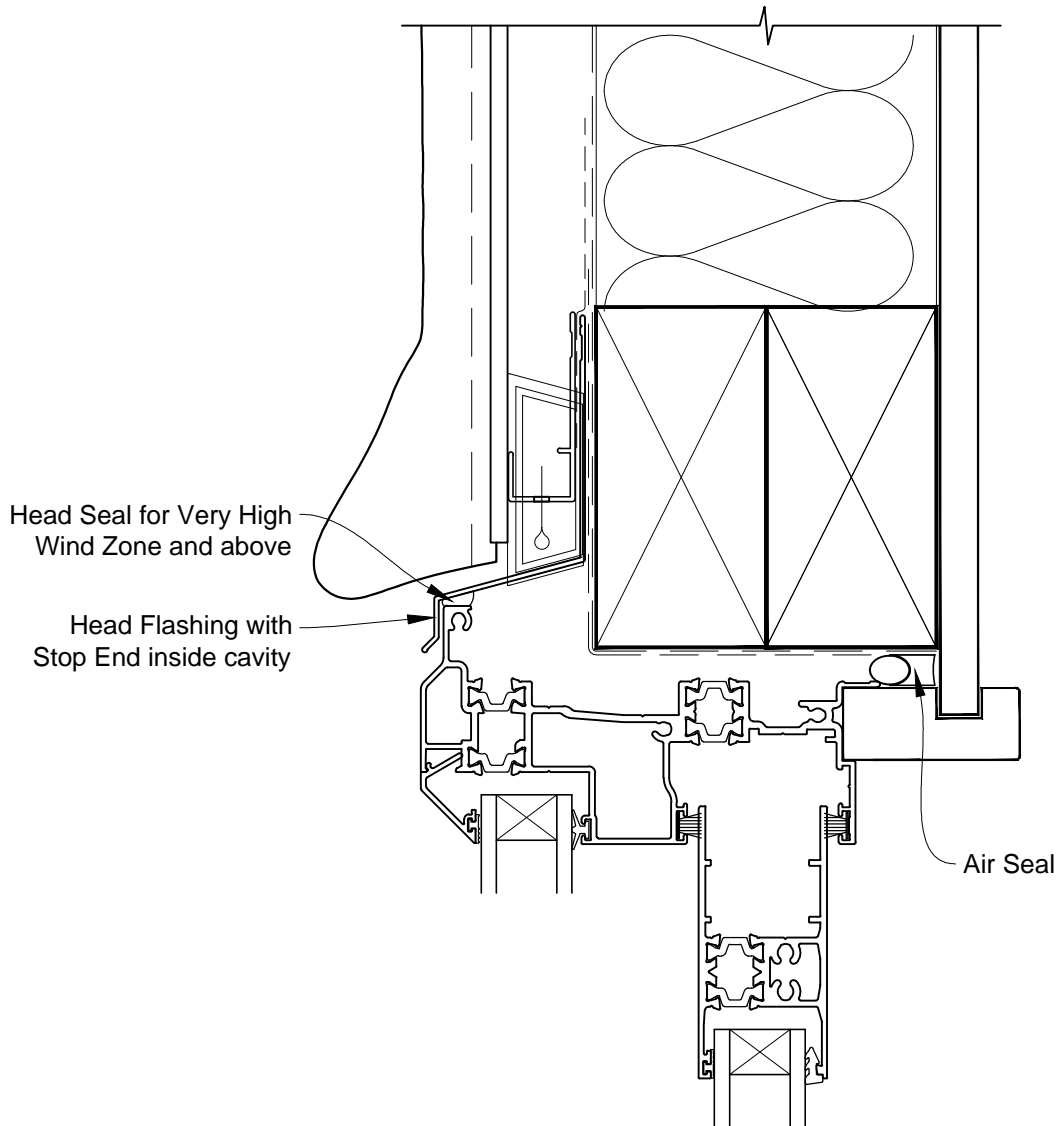


# INSTALLATION DETAIL - VANTAGE RESIDENTIAL THERMAL HEART - SLIDING WINDOW ON STUCCO CAVITY CONSTRUCTION

Date: 01.03.14

Scale: 1:2

CAD Ref.: VTSWST-CH



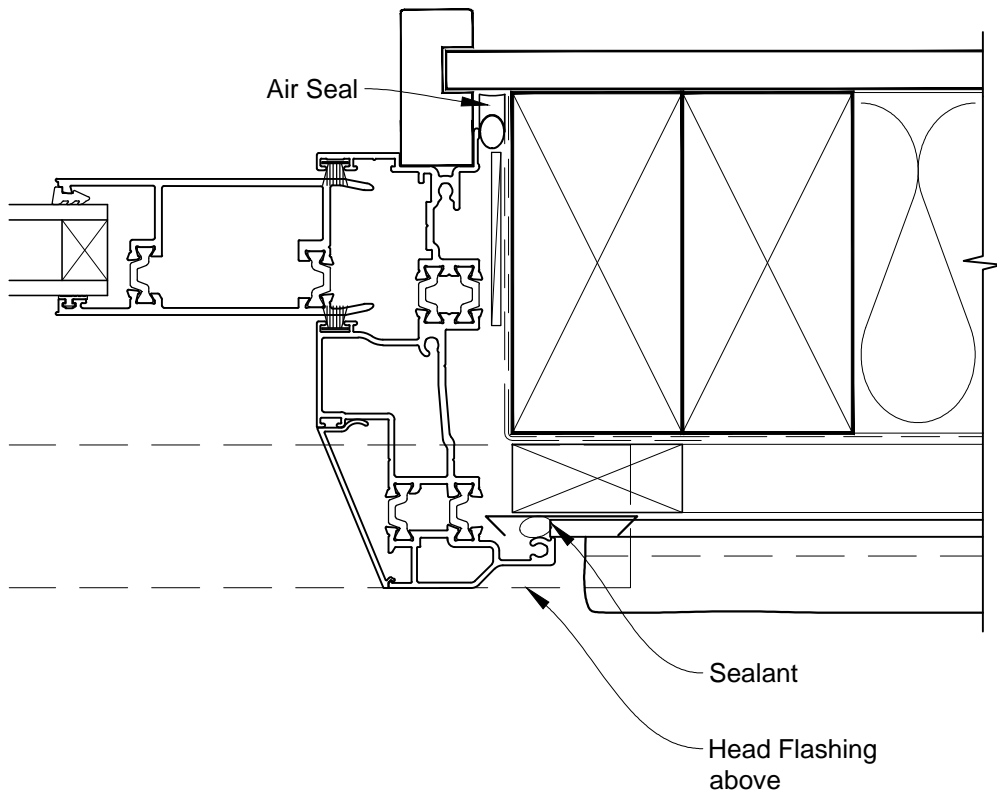


# INSTALLATION DETAIL - VANTAGE RESIDENTIAL THERMAL HEART - SLIDING WINDOW ON STUCCO CAVITY CONSTRUCTION

Date: 01.03.14

Scale: 1:2

CAD Ref.: VTSWST-CJ



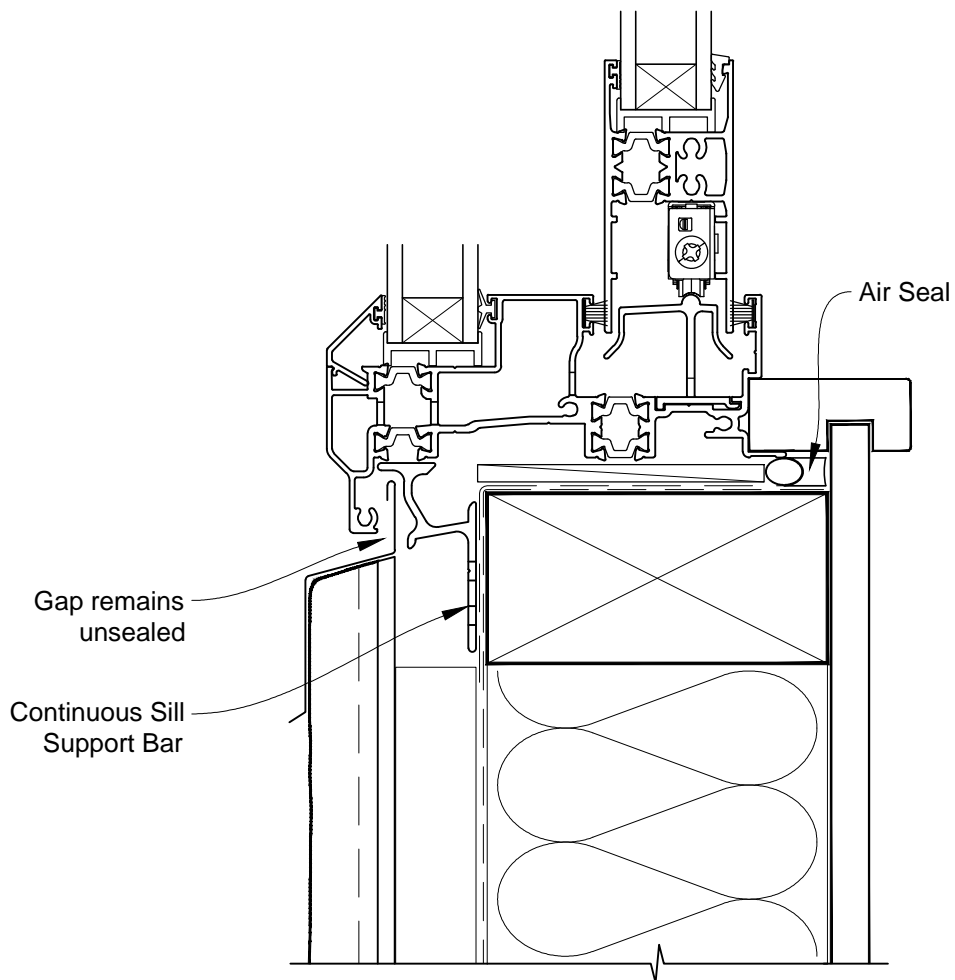


# INSTALLATION DETAIL - VANTAGE RESIDENTIAL THERMAL HEART - SLIDING WINDOW ON STUCCO CAVITY CONSTRUCTION

Date: 01.03.14

Scale: 1:2

CAD Ref.: VTSWST-CS





# INSTALLATION DETAIL - VANTAGE RESIDENTIAL THERMAL HEART - SLIDING WINDOW ON STUCCO CAVITY CONSTRUCTION

Date: 01.03.14

Scale: 1:2

CAD Ref.: VTSWST-CS2

