

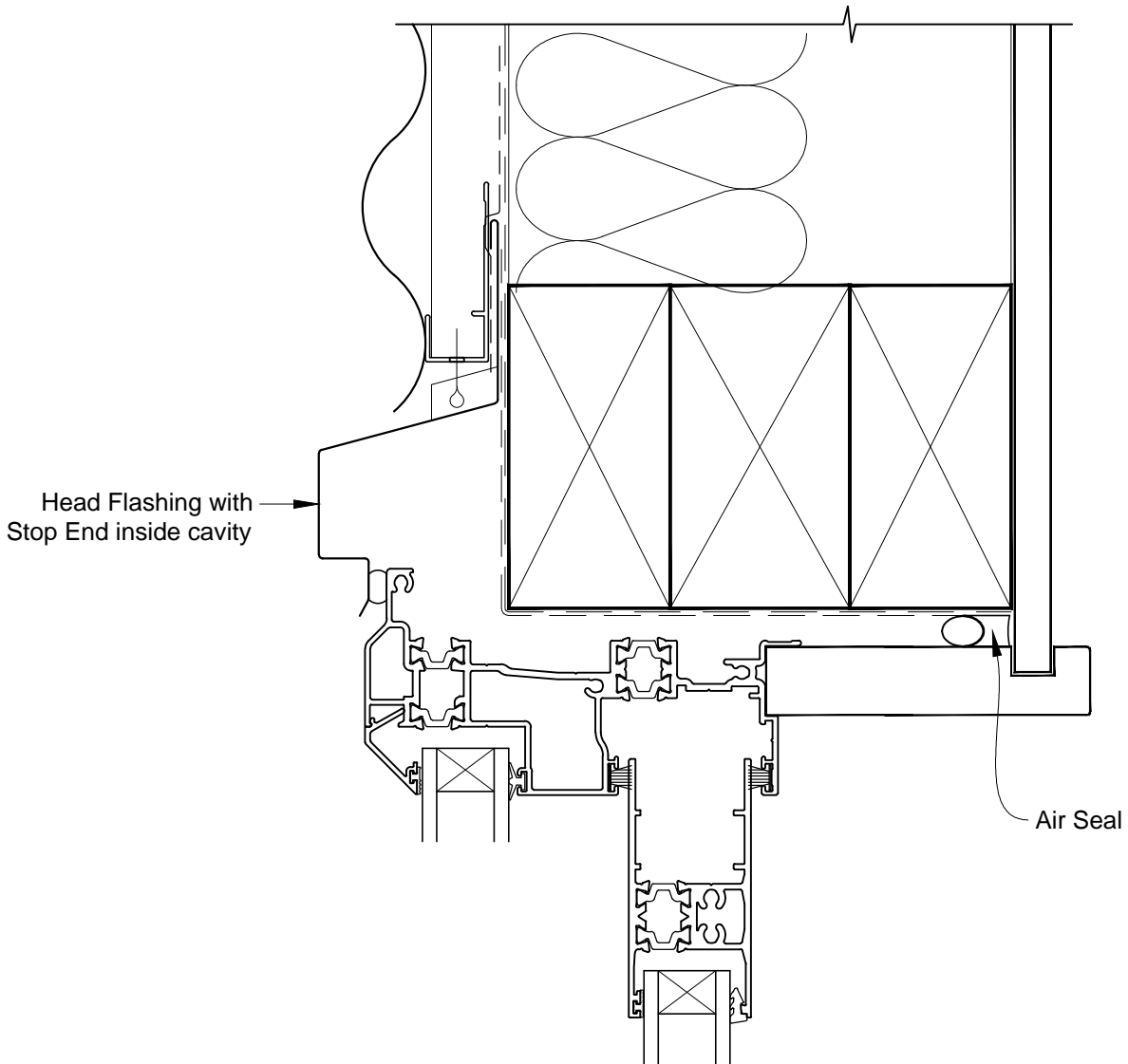


INSTALLATION DETAIL - VANTAGE RESIDENTIAL THERMAL HEART - SLIDING WINDOW ON PROFILE METAL CAVITY CONSTRUCTION

Date: 01.03.14

Scale: 1:2

CAD Ref.: VTSWPM-CH



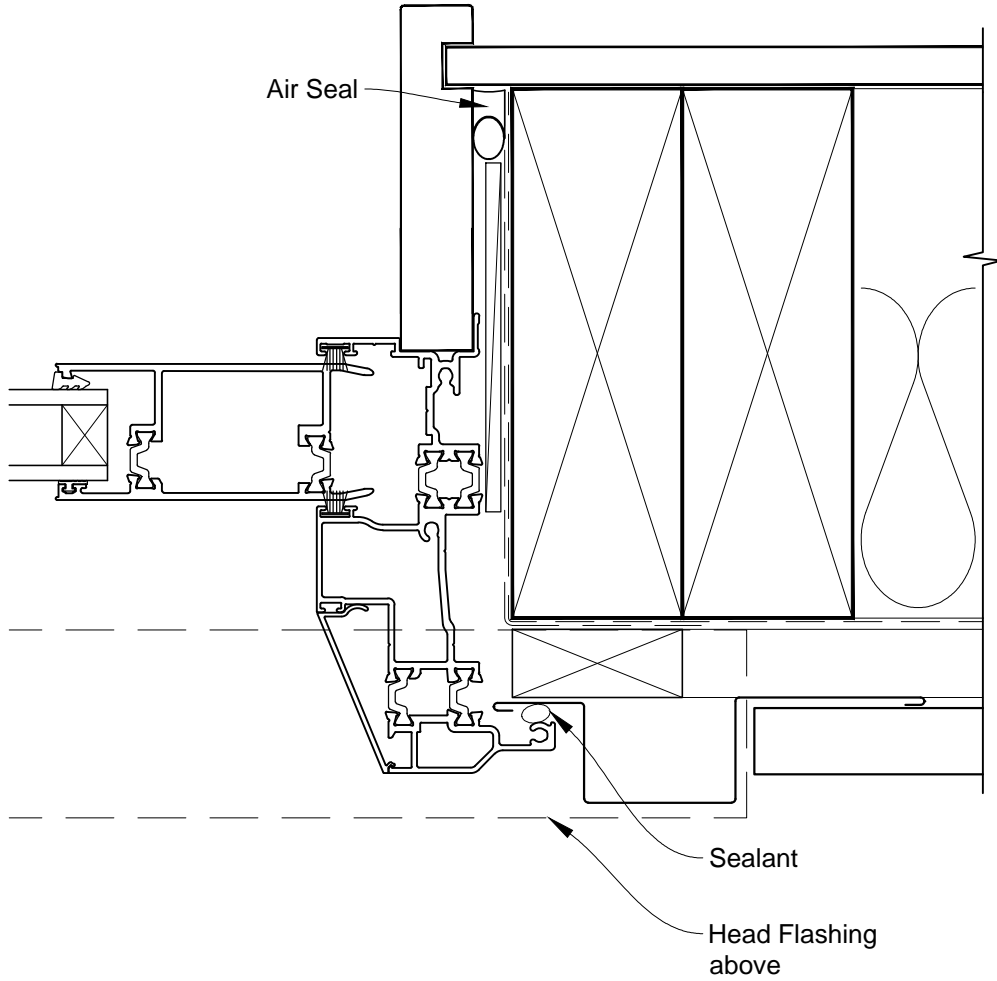


INSTALLATION DETAIL - VANTAGE RESIDENTIAL THERMAL HEART - SLIDING WINDOW ON PROFILE METAL CAVITY CONSTRUCTION

Date: 01.03.14

Scale: 1:2

CAD Ref.: VTSWPM-CJ



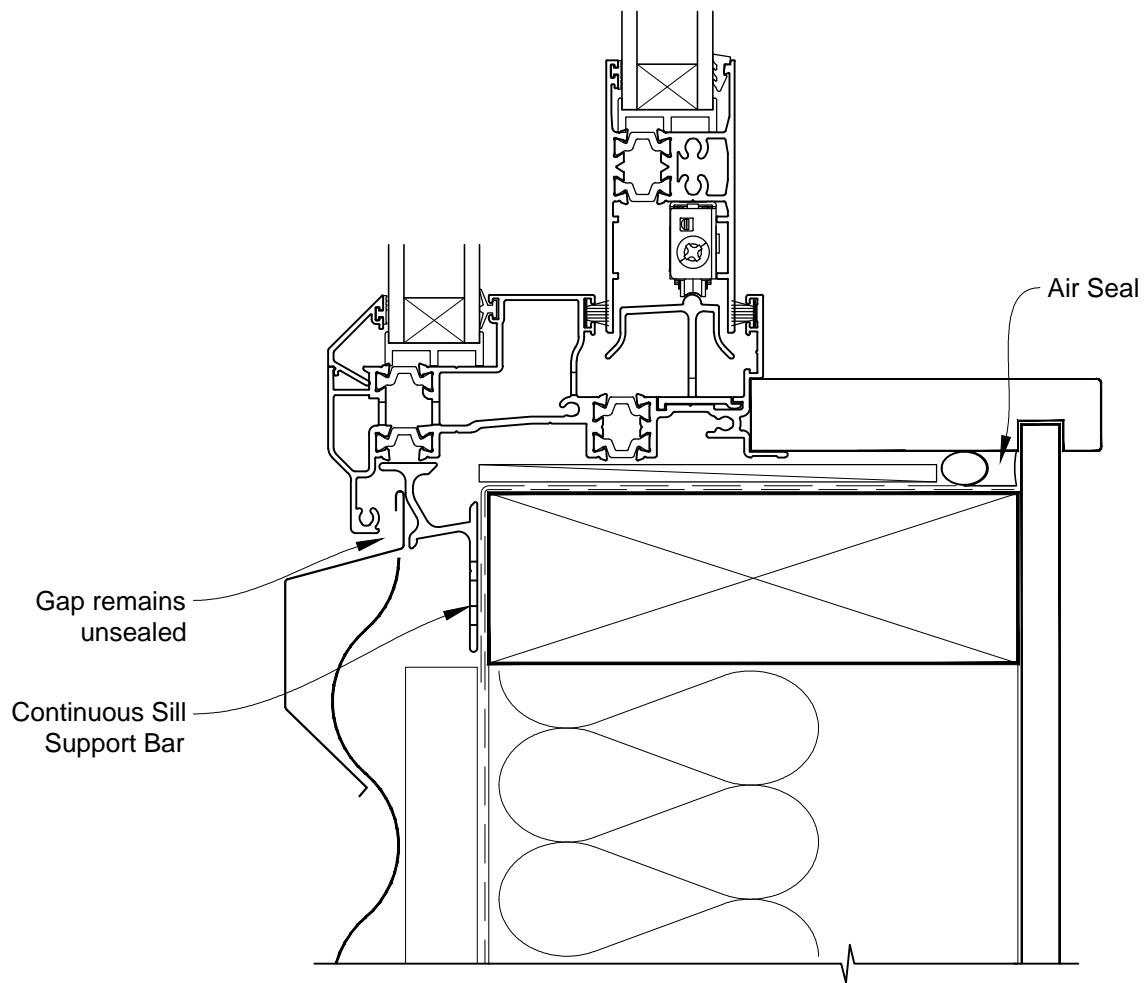


INSTALLATION DETAIL - VANTAGE RESIDENTIAL THERMAL HEART - SLIDING WINDOW ON PROFILE METAL CAVITY CONSTRUCTION

Date: 01.03.14

Scale: 1:2

CAD Ref.: VTSWPM-CS



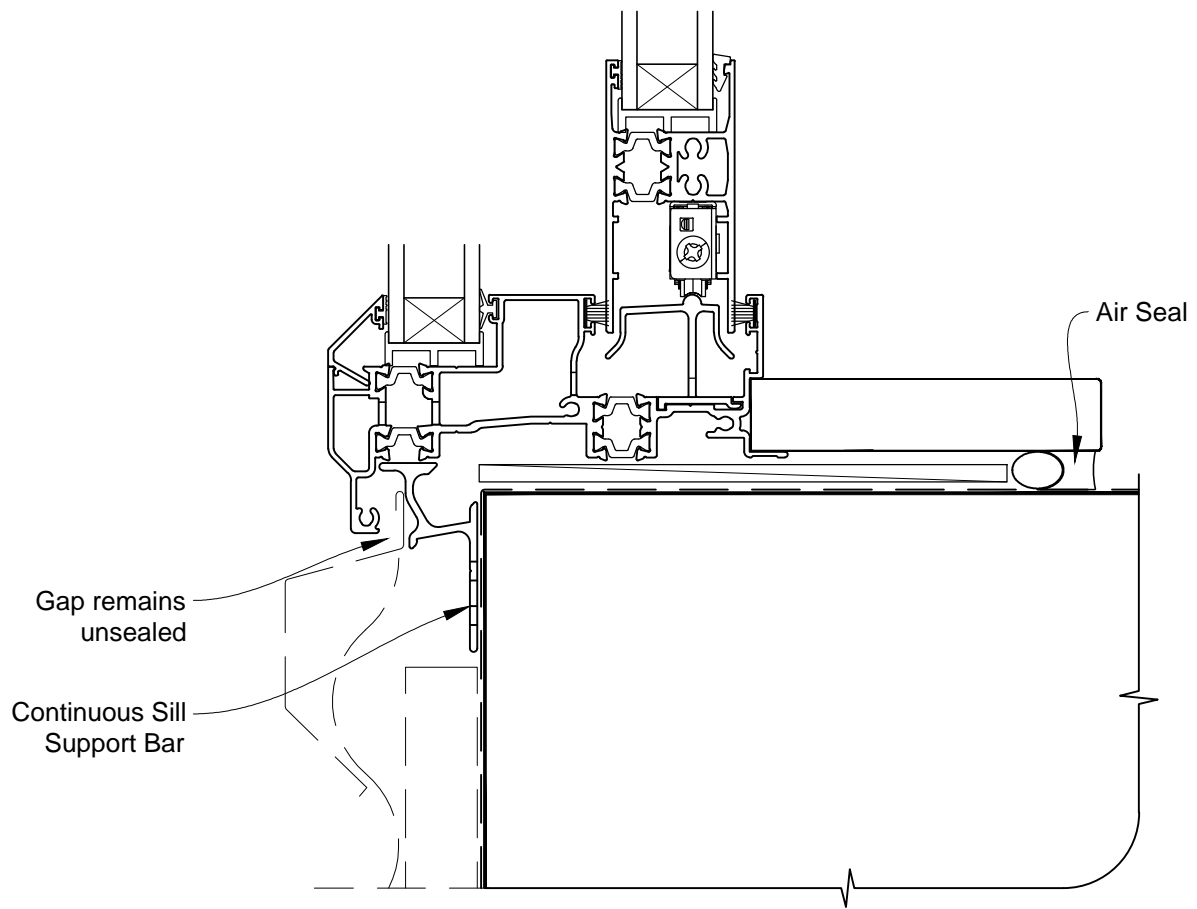


INSTALLATION DETAIL - VANTAGE RESIDENTIAL THERMAL HEART - SLIDING WINDOW ON PROFILE METAL CAVITY CONSTRUCTION

Date: 01.03.14

Scale: 1:2

CAD Ref.: VTSWPM-CS2



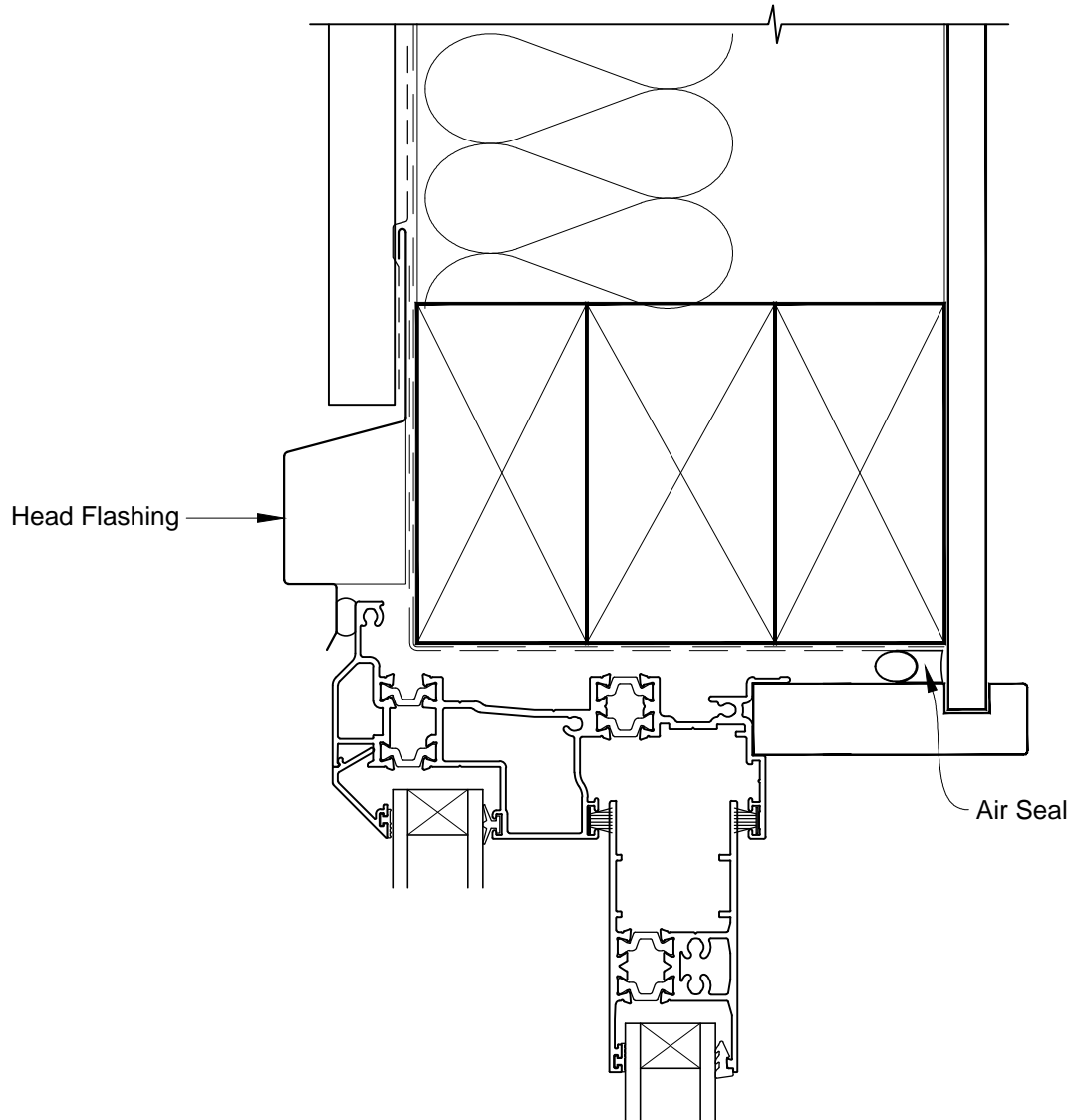


INSTALLATION DETAIL - VANTAGE RESIDENTIAL THERMAL HEART - SLIDING WINDOW ON PROFILE METAL DIRECT FIXED CLADDING

Date: 01.03.14

Scale: 1:2

CAD Ref.: VTSWPM-DH



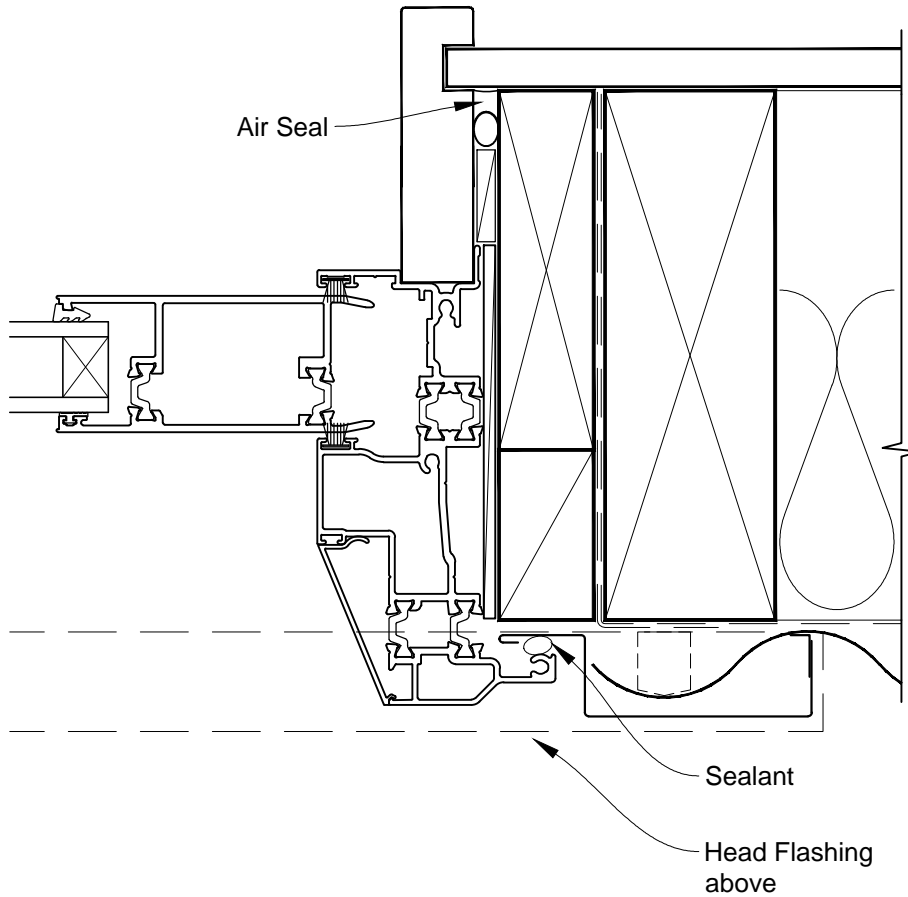


INSTALLATION DETAIL - VANTAGE RESIDENTIAL THERMAL HEART - SLIDING WINDOW ON PROFILE METAL DIRECT FIXED CLADDING

Date: 01.03.14

Scale: 1:2

CAD Ref.: VTSWPM-DJ



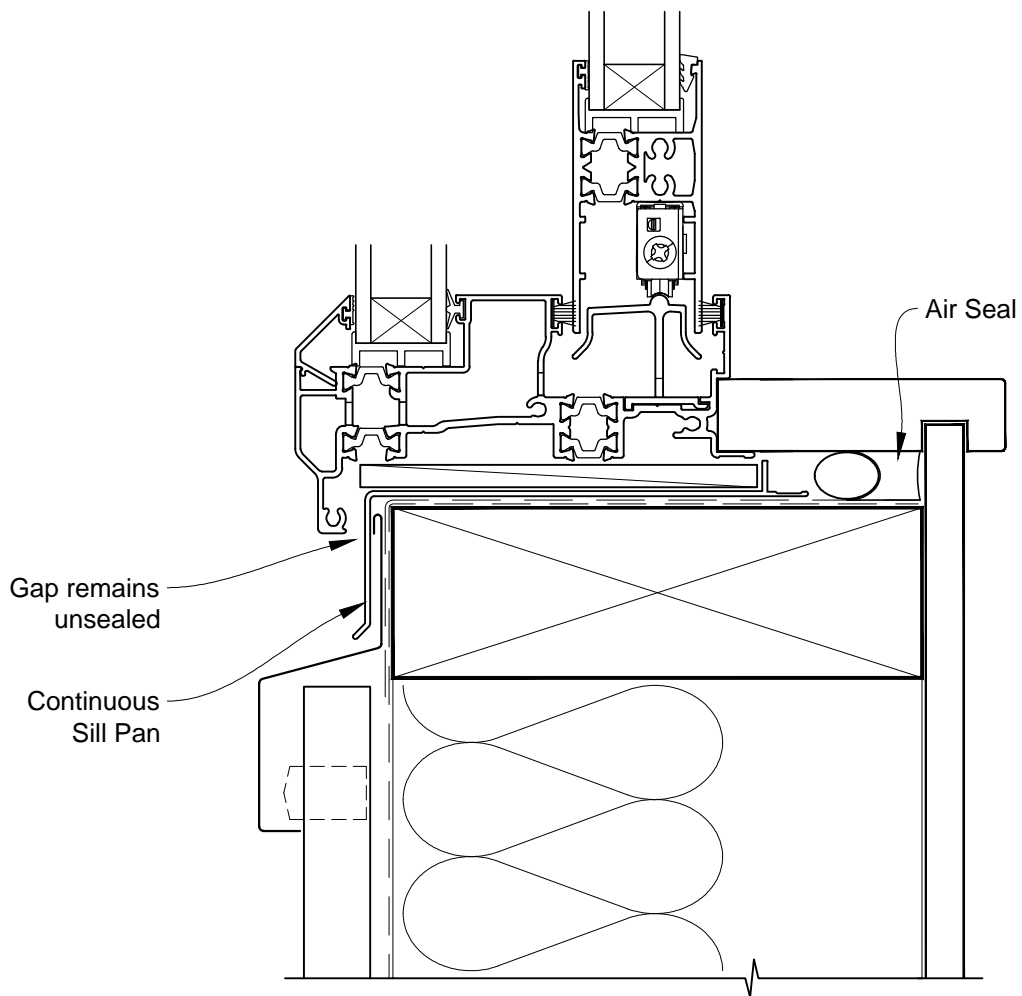


INSTALLATION DETAIL - VANTAGE RESIDENTIAL THERMAL HEART - SLIDING WINDOW ON PROFILE METAL DIRECT FIXED CLADDING

Date: 01.03.14

Scale: 1:2

CAD Ref.: VTSWPM-DS





INSTALLATION DETAIL - VANTAGE RESIDENTIAL THERMAL HEART - SLIDING WINDOW ON PROFILE METAL DIRECT FIXED CLADDING

Date: 01.03.14

Scale: 1:2

CAD Ref.: VTSWPM-DS2

