

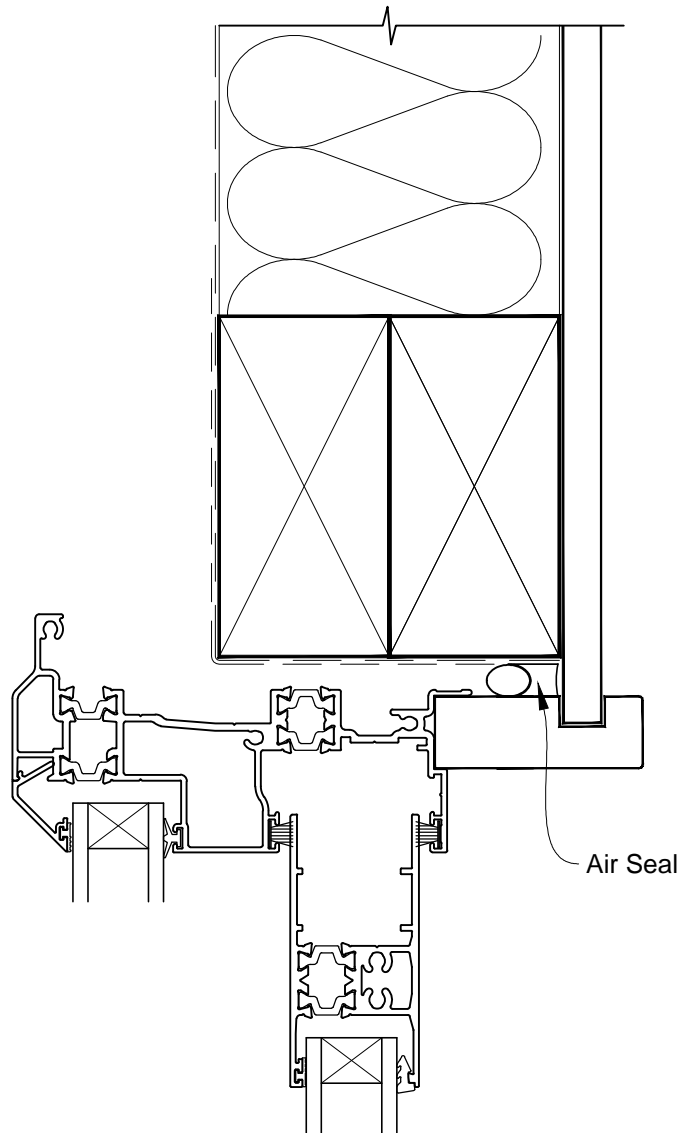


INSTALLATION DETAIL - VANTAGE RESIDENTIAL THERMAL HEART - SLIDING WINDOW ON NO CLADDING CAVITY CONSTRUCTION

Date: 01.03.14

Scale: 1:2

CAD Ref.: VTSWNC-CH



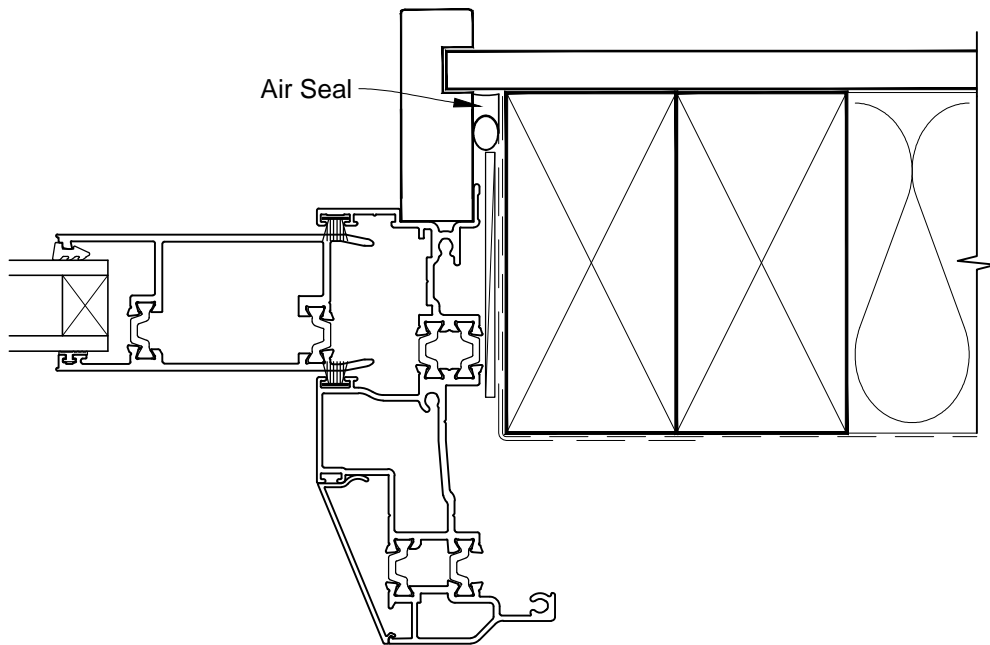


INSTALLATION DETAIL - VANTAGE RESIDENTIAL THERMAL HEART - SLIDING WINDOW ON NO CLADDING CAVITY CONSTRUCTION

Date: 01.03.14

Scale: 1:2

CAD Ref.: VTSWNC-CJ



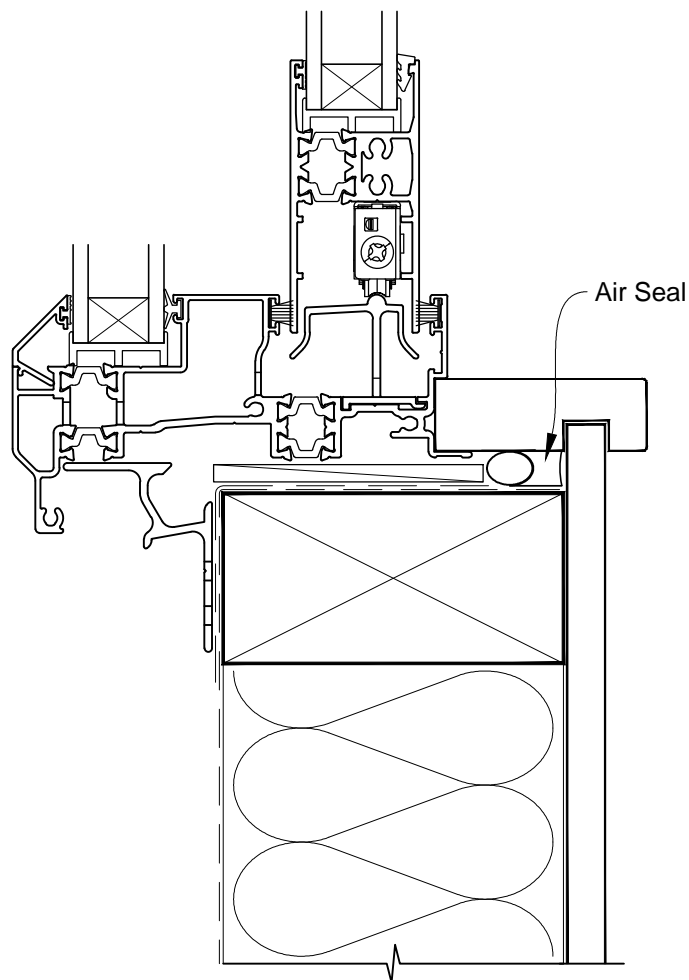


INSTALLATION DETAIL - VANTAGE RESIDENTIAL THERMAL HEART - SLIDING WINDOW ON NO CLADDING CAVITY CONSTRUCTION

Date: 01.03.14

Scale: 1:2

CAD Ref.: VTSWNC-CS



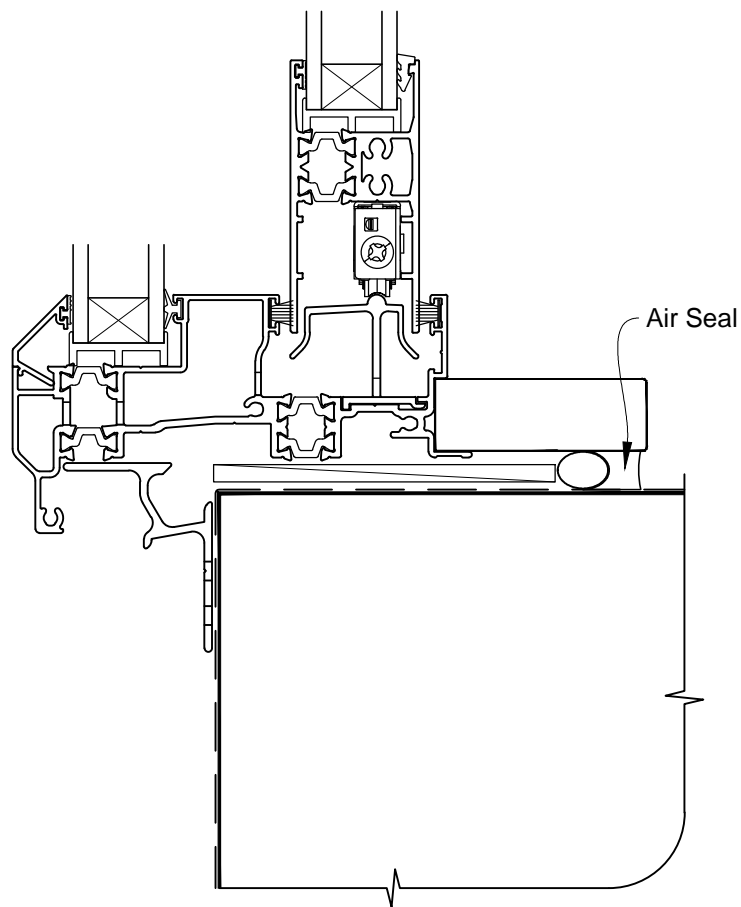


INSTALLATION DETAIL - VANTAGE RESIDENTIAL THERMAL HEART - SLIDING WINDOW ON NO CLADDING CAVITY CONSTRUCTION

Date: 01.03.14

Scale: 1:2

CAD Ref.: VTSWNC-CS2



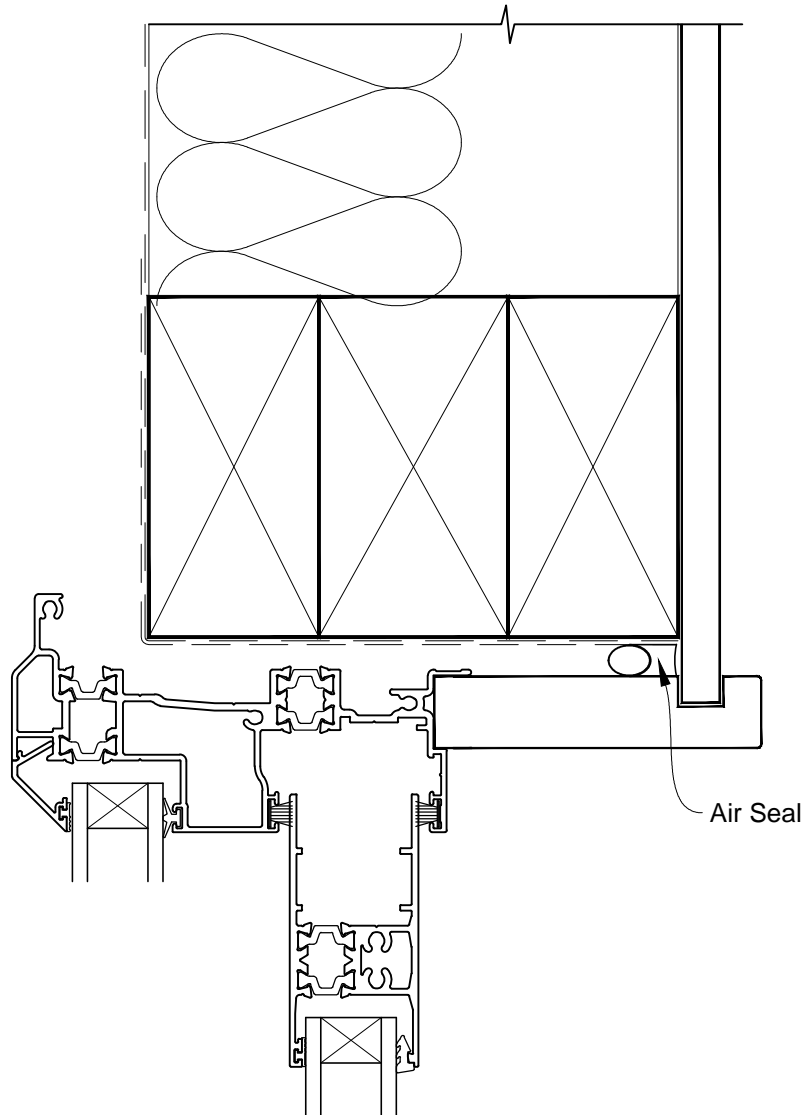


INSTALLATION DETAIL - VANTAGE RESIDENTIAL THERMAL HEART - SLIDING WINDOW ON NO CLADDING DIRECT FIXED CLADDING

Date: 01.03.14

Scale: 1:2

CAD Ref.: VTSWNC-DH



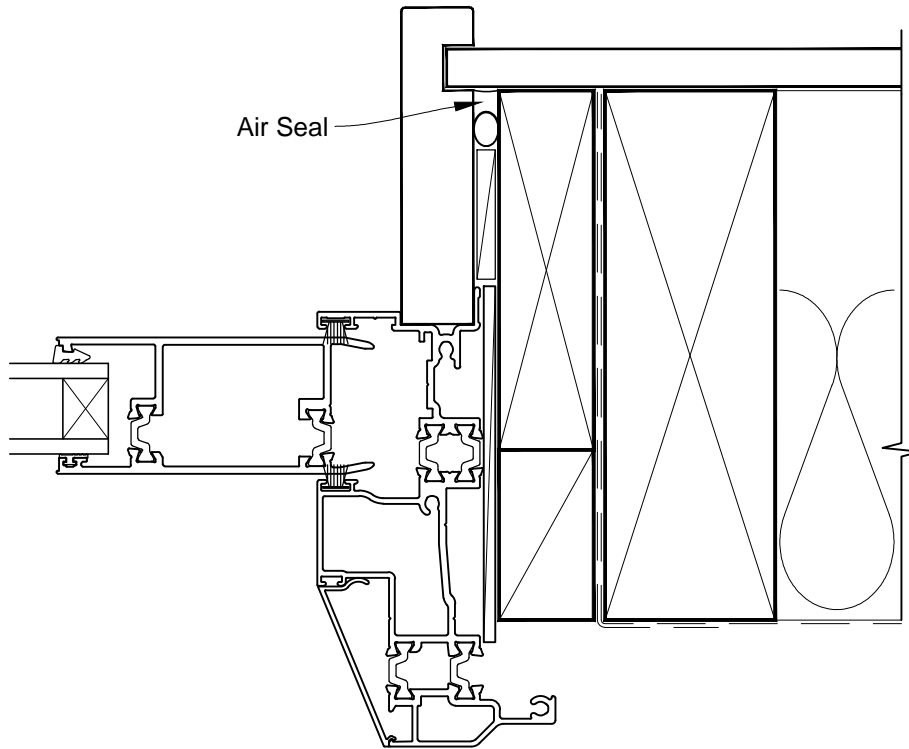


**INSTALLATION DETAIL - VANTAGE RESIDENTIAL THERMAL
HEART - SLIDING WINDOW ON NO CLADDING
DIRECT FIXED CLADDING**

Date: 01.03.14

Scale: 1:2

CAD Ref.: VTSWNC-DJ



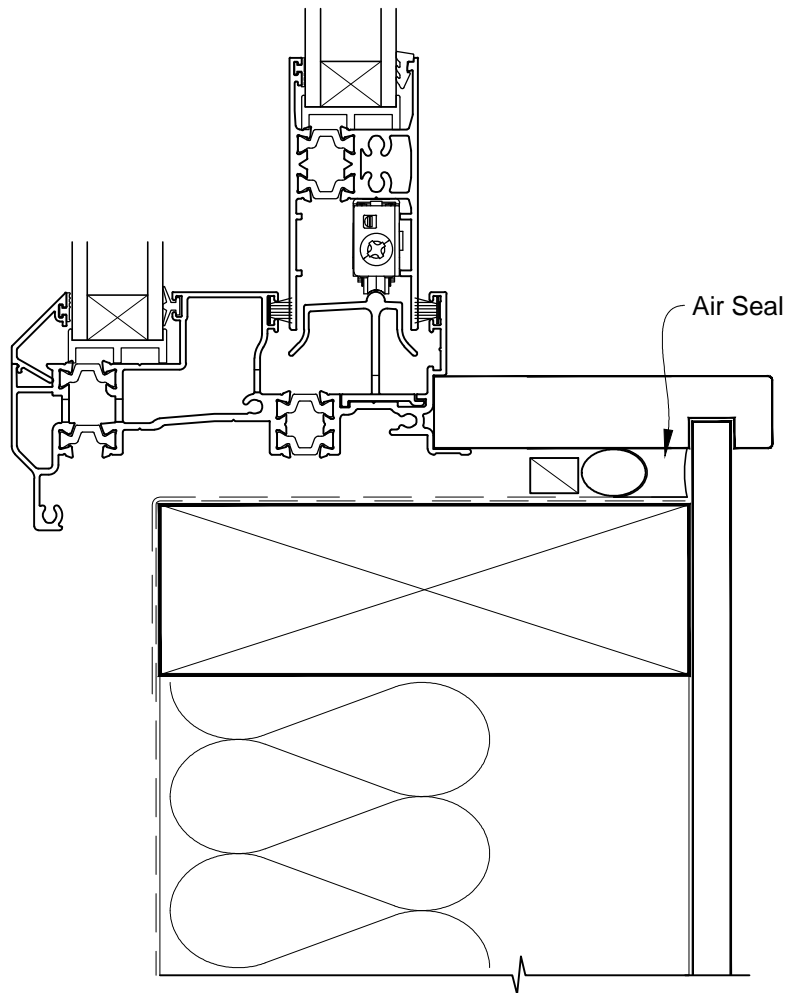


**INSTALLATION DETAIL - VANTAGE RESIDENTIAL THERMAL
HEART - SLIDING WINDOW ON NO CLADDING
DIRECT FIXED CLADDING**

Date: 01.03.14

Scale: 1:2

CAD Ref.: VTSWNC-DS





**INSTALLATION DETAIL - VANTAGE RESIDENTIAL THERMAL
HEART - SLIDING WINDOW ON NO CLADDING
DIRECT FIXED CLADDING**

Date: 01.03.14

Scale: 1:2

CAD Ref.: VTSWNC-DS2

