

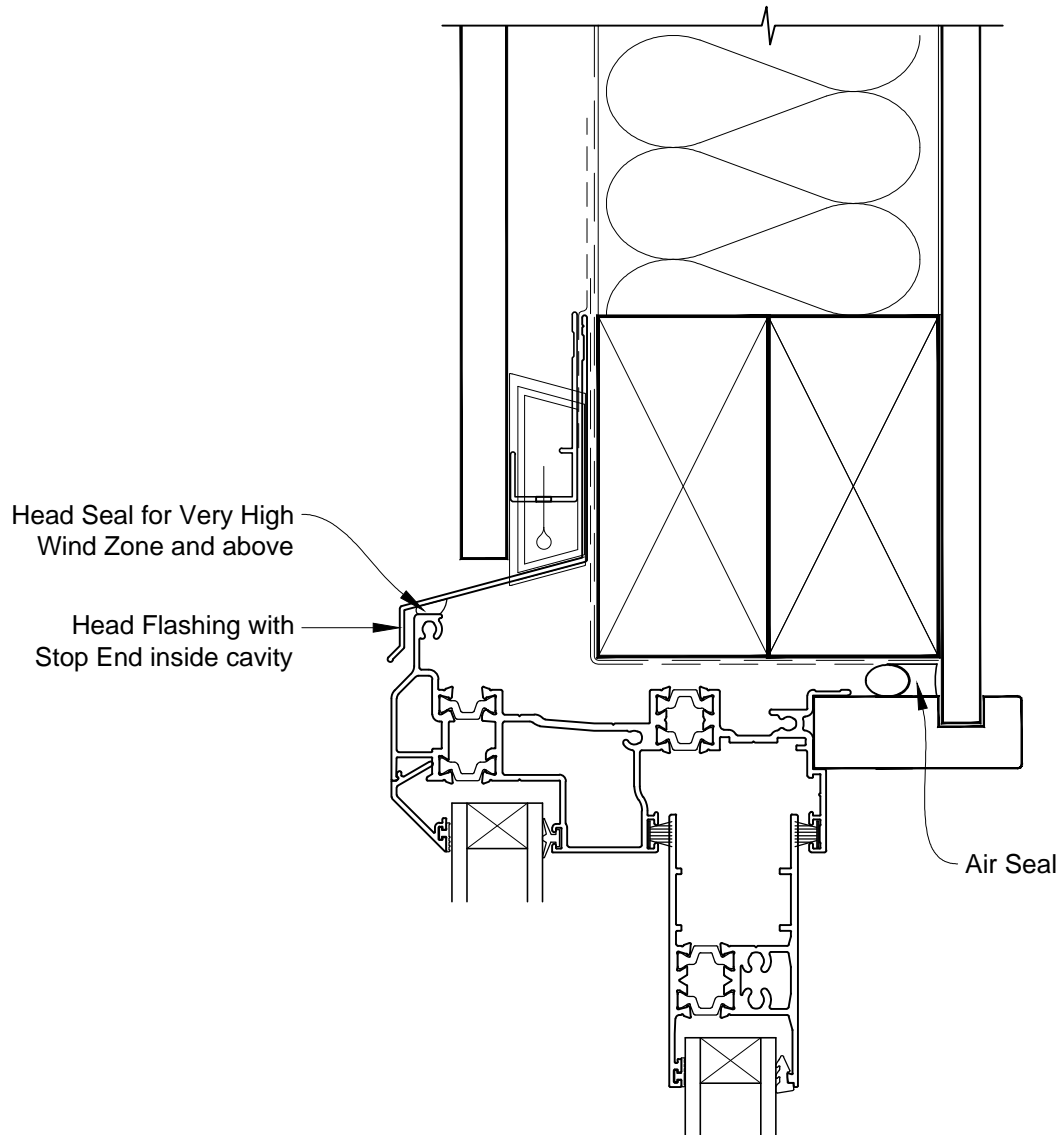


INSTALLATION DETAIL - VANTAGE RESIDENTIAL THERMAL HEART - SLIDING WINDOW ON FLAT SHEET CAVITY CONSTRUCTION

Date: 01.03.14

Scale: 1:2

CAD Ref.: VTSWFS-CH



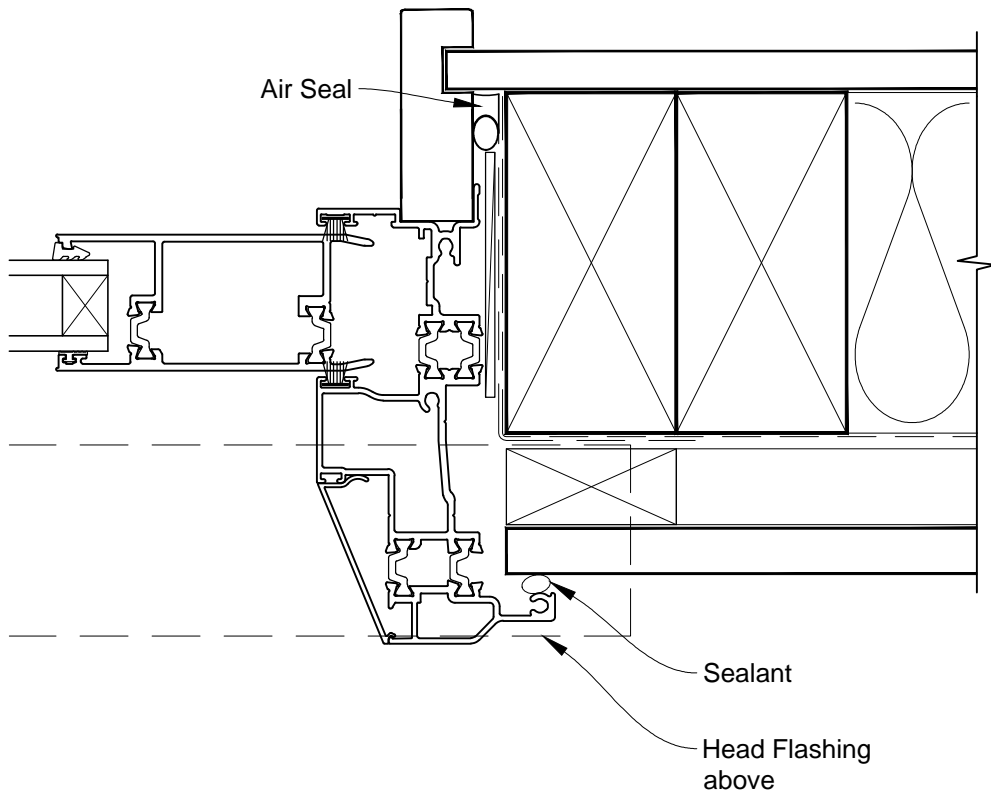


INSTALLATION DETAIL - VANTAGE RESIDENTIAL THERMAL HEART - SLIDING WINDOW ON FLAT SHEET CAVITY CONSTRUCTION

Date: 01.03.14

Scale: 1:2

CAD Ref.: VTSWFS-CJ



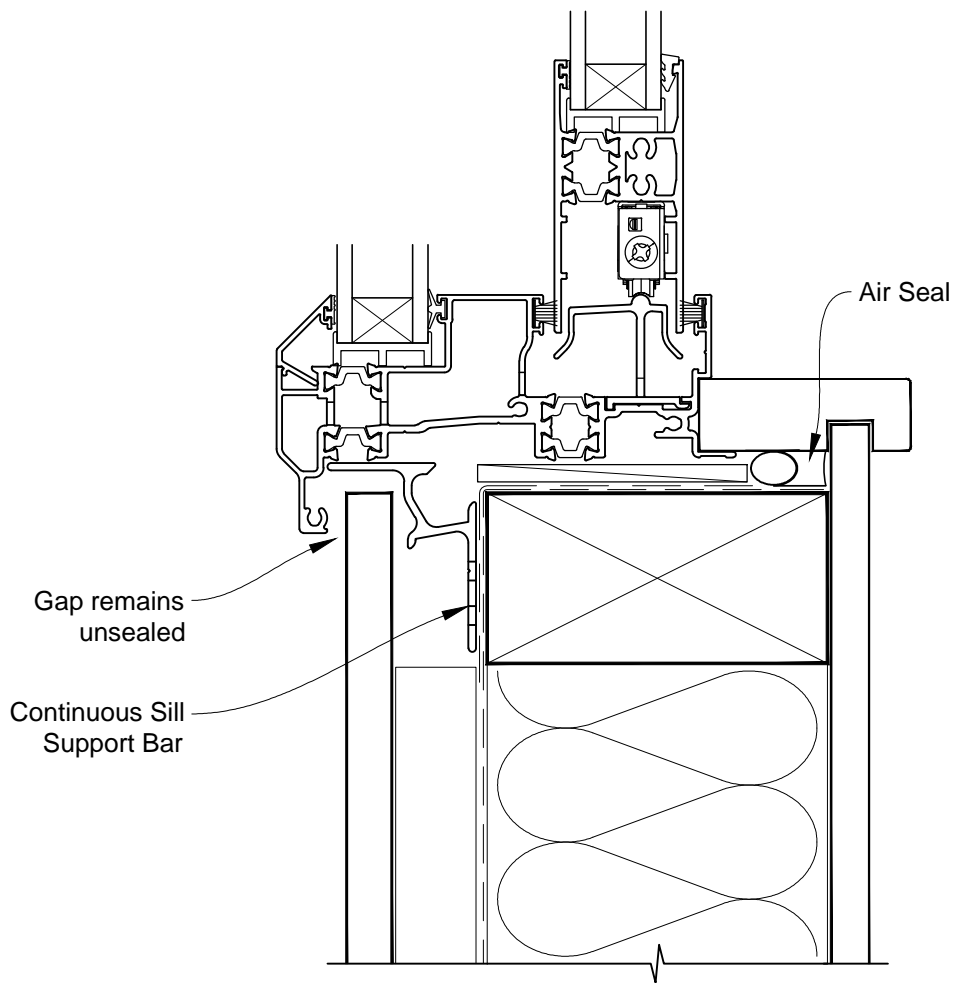


INSTALLATION DETAIL - VANTAGE RESIDENTIAL THERMAL HEART - SLIDING WINDOW ON FLAT SHEET CAVITY CONSTRUCTION

Date: 01.03.14

Scale: 1:2

CAD Ref.: VTSWFS-CS



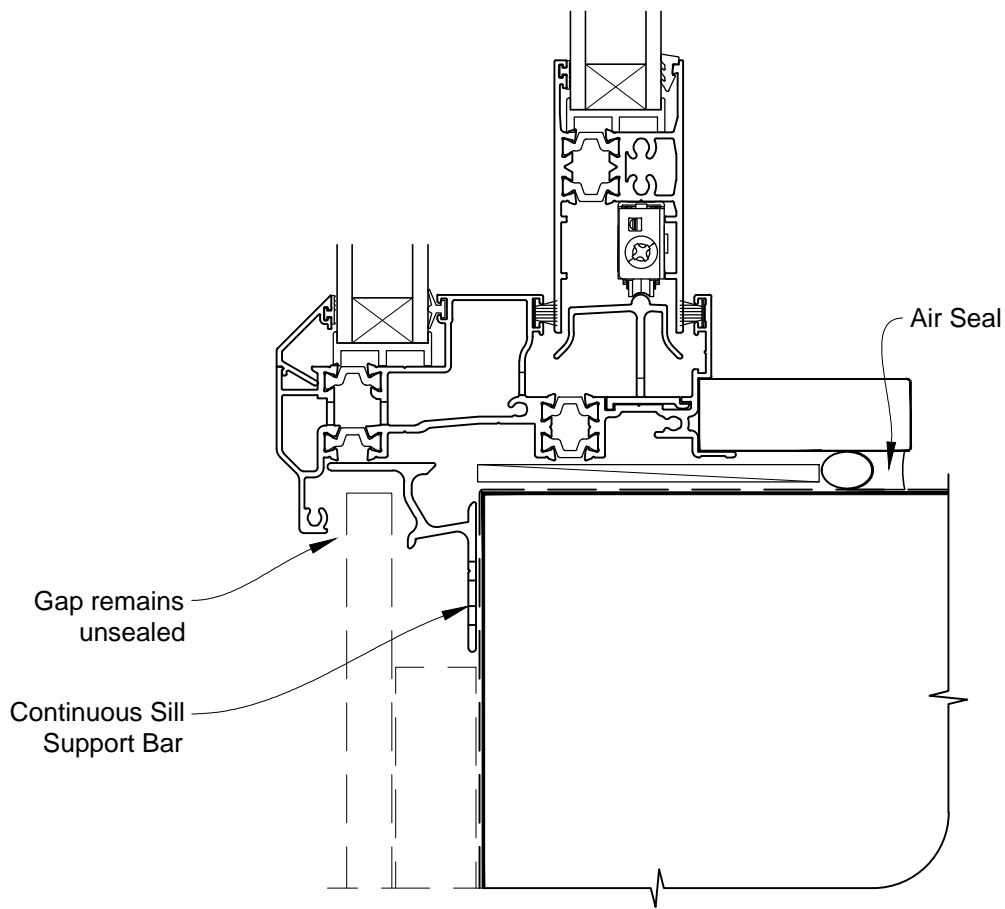


INSTALLATION DETAIL - VANTAGE RESIDENTIAL THERMAL HEART - SLIDING WINDOW ON FLAT SHEET CAVITY CONSTRUCTION

Date: 01.03.14

Scale: 1:2

CAD Ref.: VTSWFS-CS2



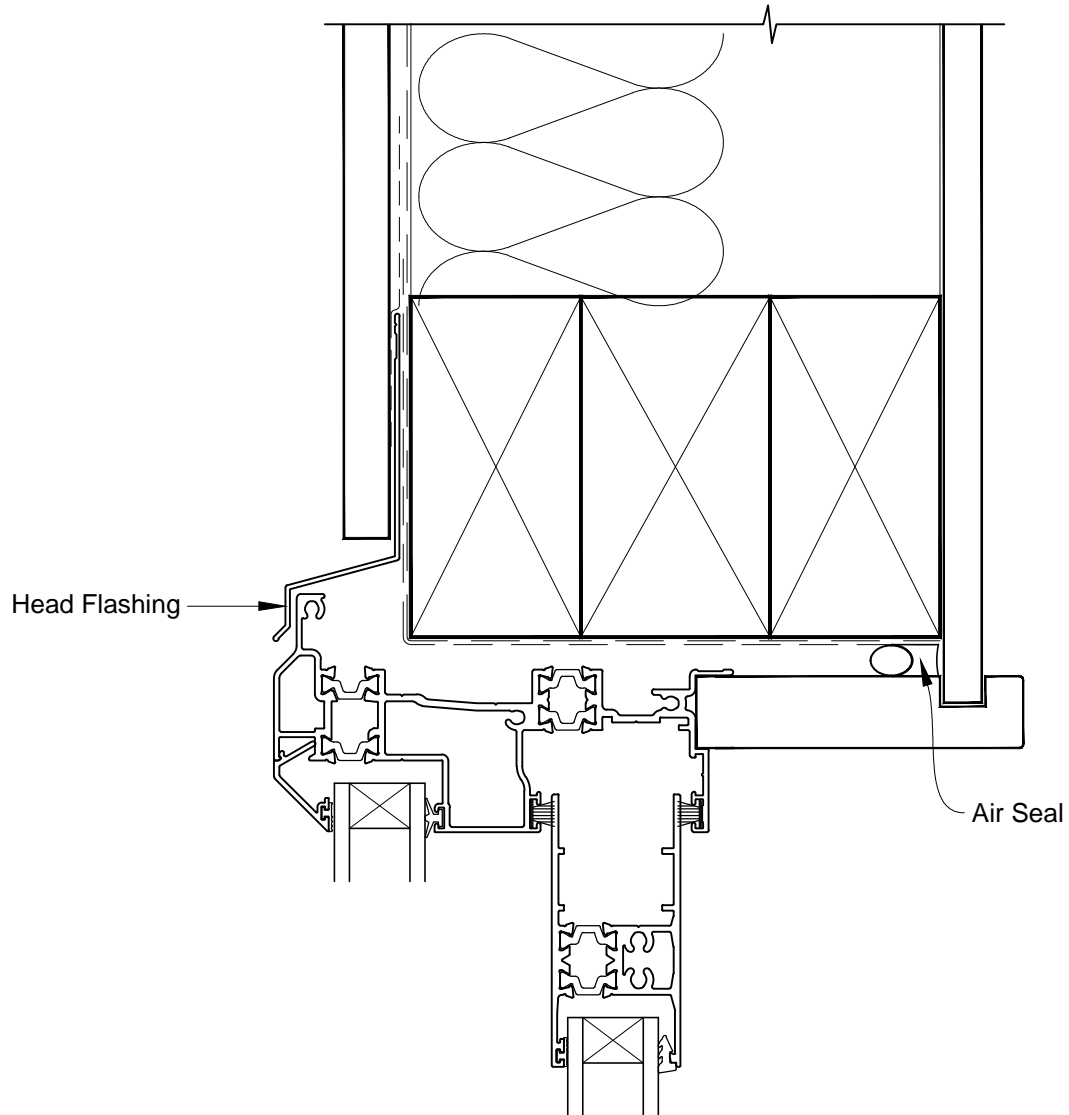


INSTALLATION DETAIL - VANTAGE RESIDENTIAL THERMAL HEART - SLIDING WINDOW ON FLAT SHEET DIRECT FIXED CLADDING

Date: 01.03.14

Scale: 1:2

CAD Ref.: VTSWFS-DH



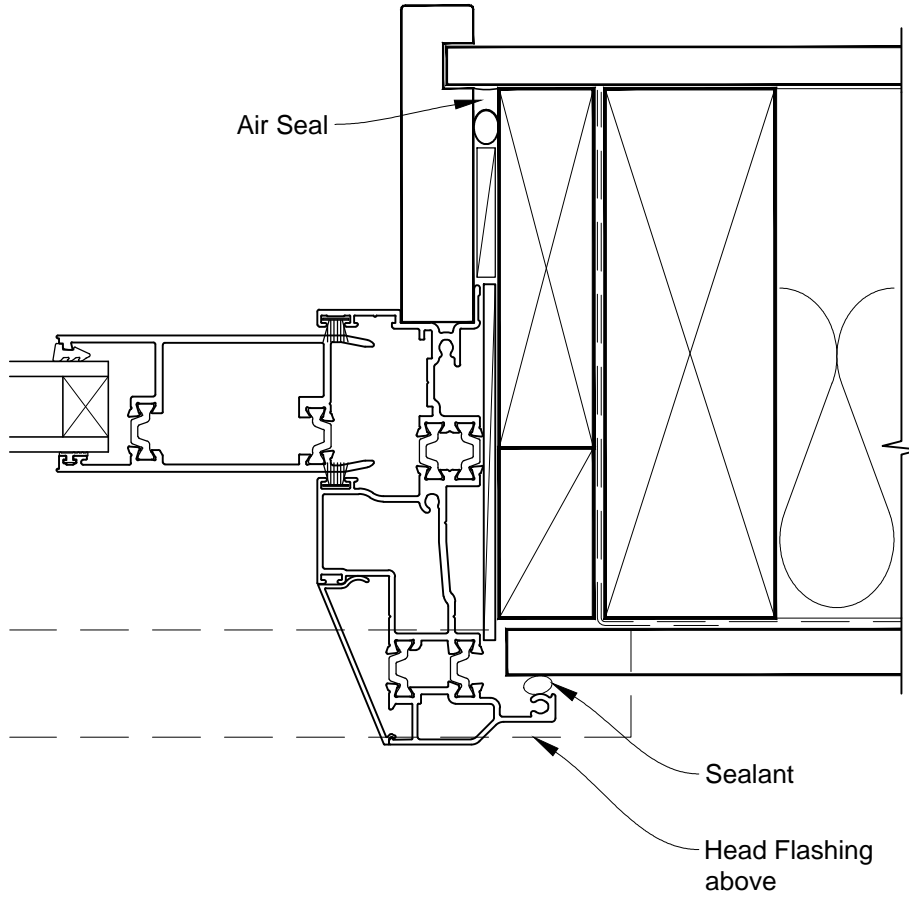


INSTALLATION DETAIL - VANTAGE RESIDENTIAL THERMAL HEART - SLIDING WINDOW ON FLAT SHEET DIRECT FIXED CLADDING

Date: 01.03.14

Scale: 1:2

CAD Ref.: VTSWFS-DJ



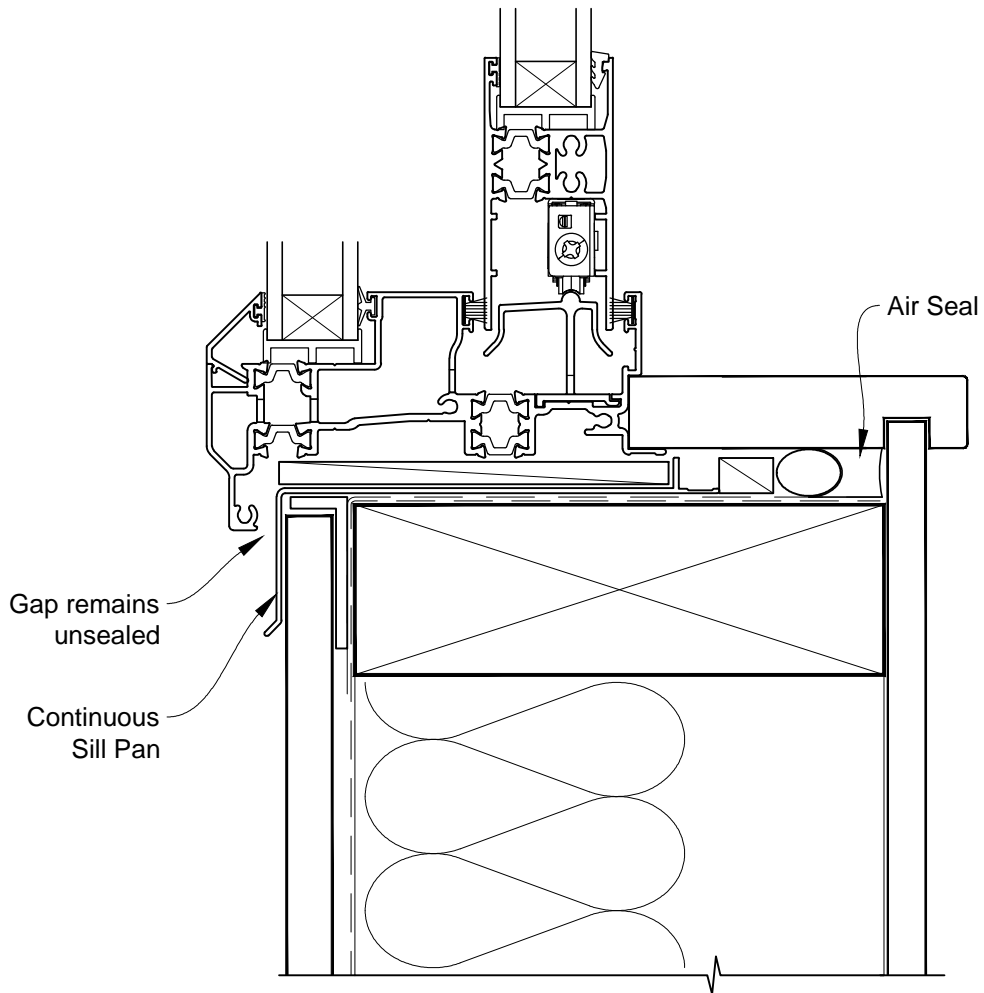


**INSTALLATION DETAIL - VANTAGE RESIDENTIAL THERMAL
HEART - SLIDING WINDOW ON FLAT SHEET
DIRECT FIXED CLADDING**

Date: 01.03.14

Scale: 1:2

CAD Ref.: VTSWFS-DS





INSTALLATION DETAIL - VANTAGE RESIDENTIAL THERMAL HEART - SLIDING WINDOW ON FLAT SHEET DIRECT FIXED CLADDING

Date: 01.03.14

Scale: 1:2

CAD Ref.: VTSWFS-DS2

