

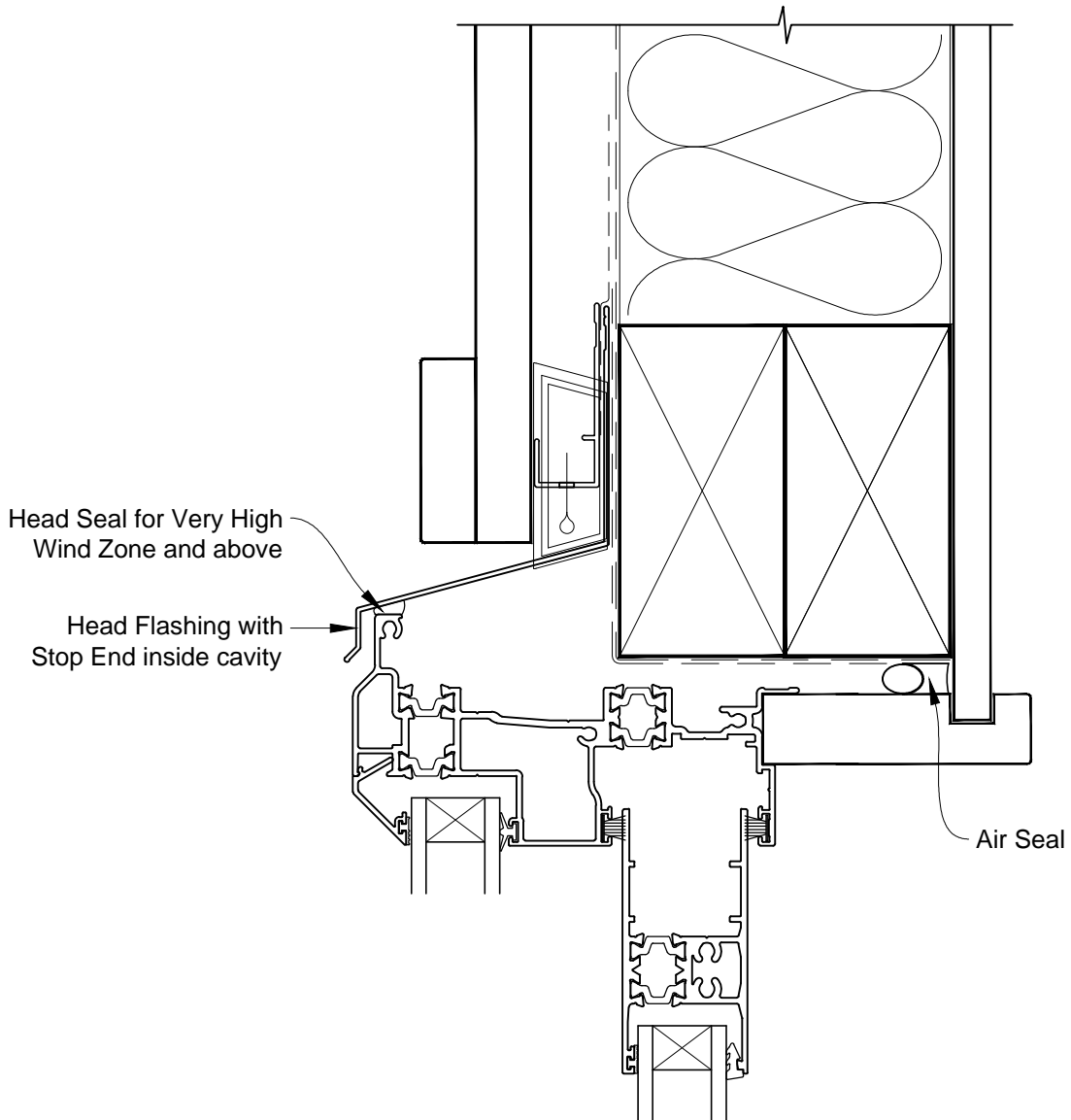


# INSTALLATION DETAIL - VANTAGE RESIDENTIAL THERMAL HEART - SLIDING WINDOW ON BOARD & BATTEN CAVITY CONSTRUCTION

Date: 01.03.14

Scale: 1:2

CAD Ref.: VTSWB-CH



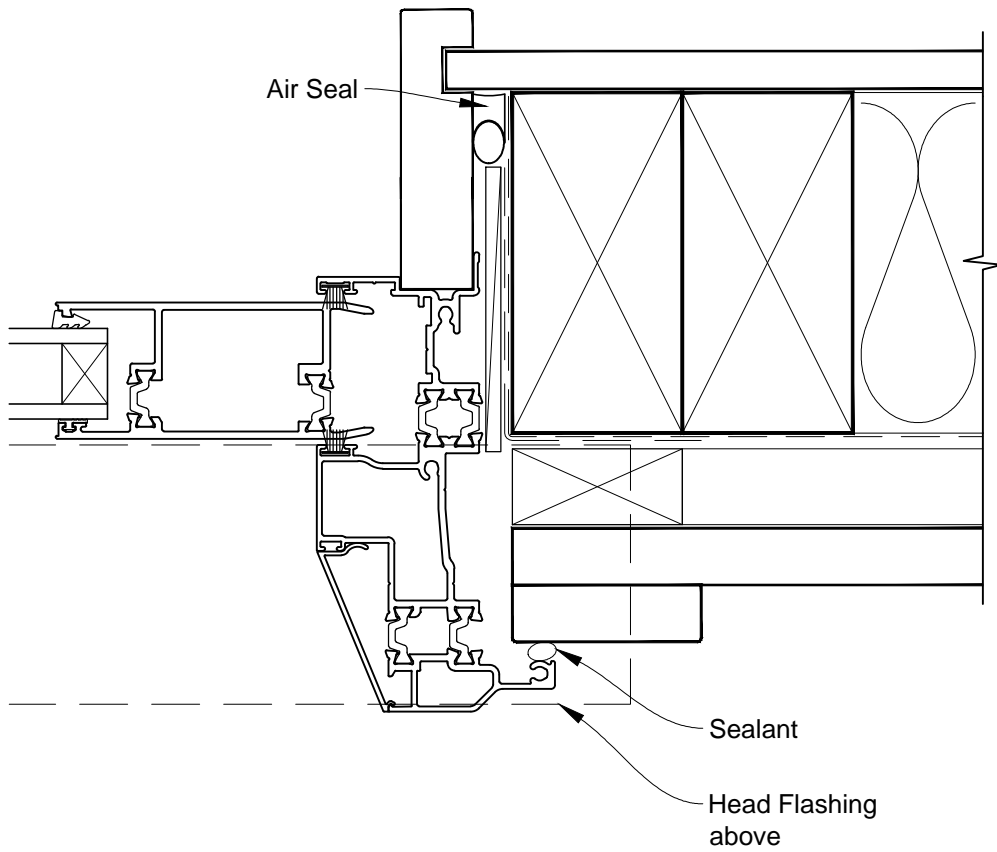


# INSTALLATION DETAIL - VANTAGE RESIDENTIAL THERMAL HEART - SLIDING WINDOW ON BOARD & BATTEN CAVITY CONSTRUCTION

Date: 01.03.14

Scale: 1:2

CAD Ref.: VTSWBB-CJ



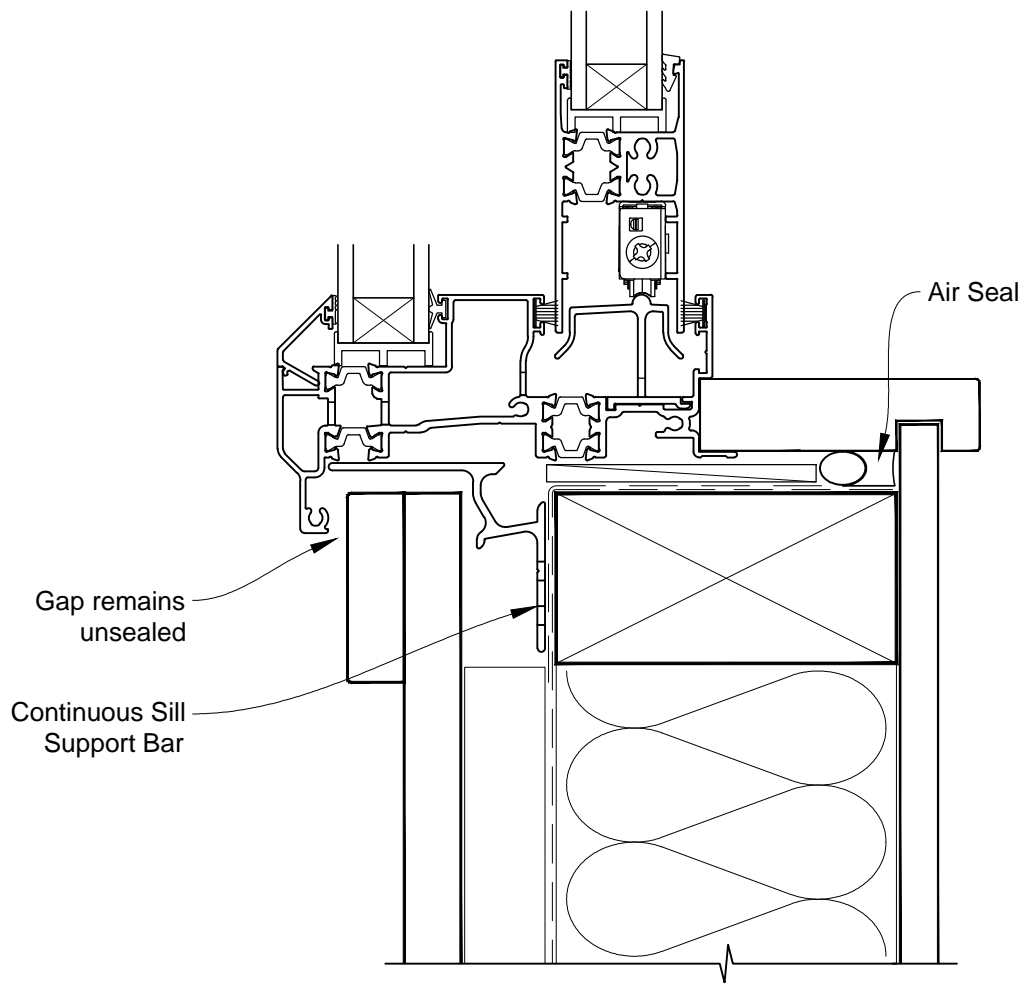


# INSTALLATION DETAIL - VANTAGE RESIDENTIAL THERMAL HEART - SLIDING WINDOW ON BOARD & BATTEN CAVITY CONSTRUCTION

Date: 01.03.14

Scale: 1:2

CAD Ref.: VTSWBB-CS



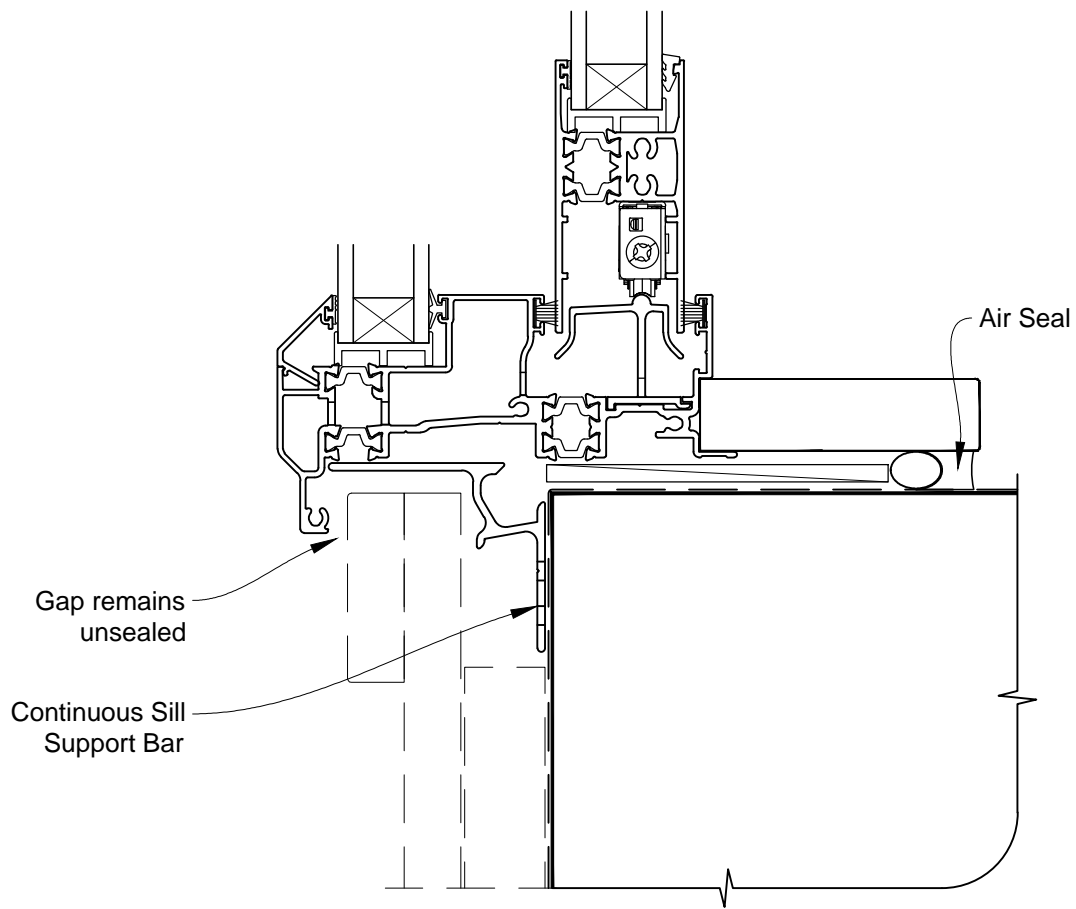


# INSTALLATION DETAIL - VANTAGE RESIDENTIAL THERMAL HEART - SLIDING WINDOW ON BOARD & BATTEN CAVITY CONSTRUCTION

Date: 01.03.14

Scale: 1:2

CAD Ref.: VTSWBB-CS2



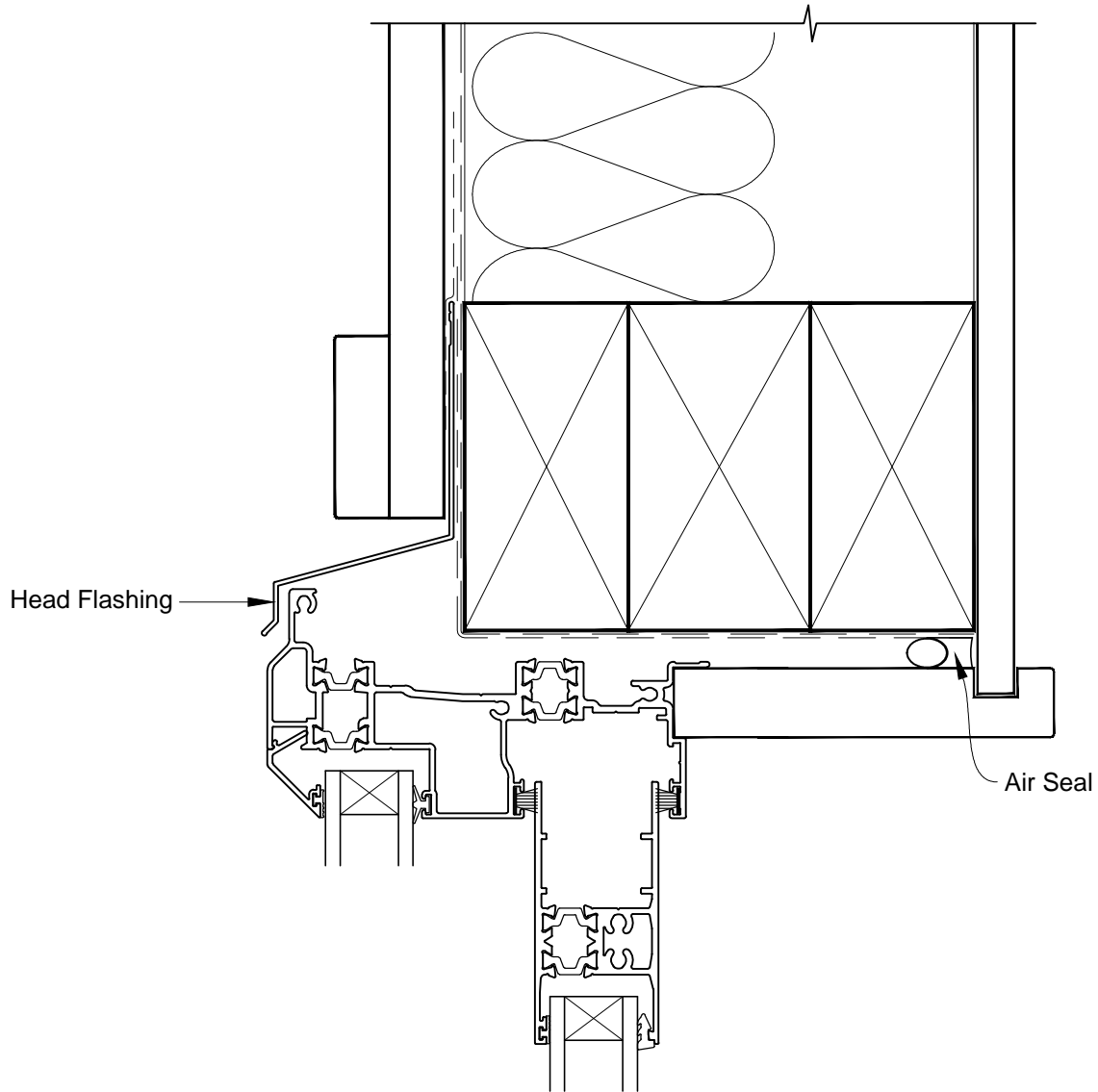


# INSTALLATION DETAIL - VANTAGE RESIDENTIAL THERMAL HEART - SLIDING WINDOW ON BOARD & BATTEN DIRECT FIXED CLADDING

Date: 01.03.14

Scale: 1:2

CAD Ref.: VTSWBB-DH



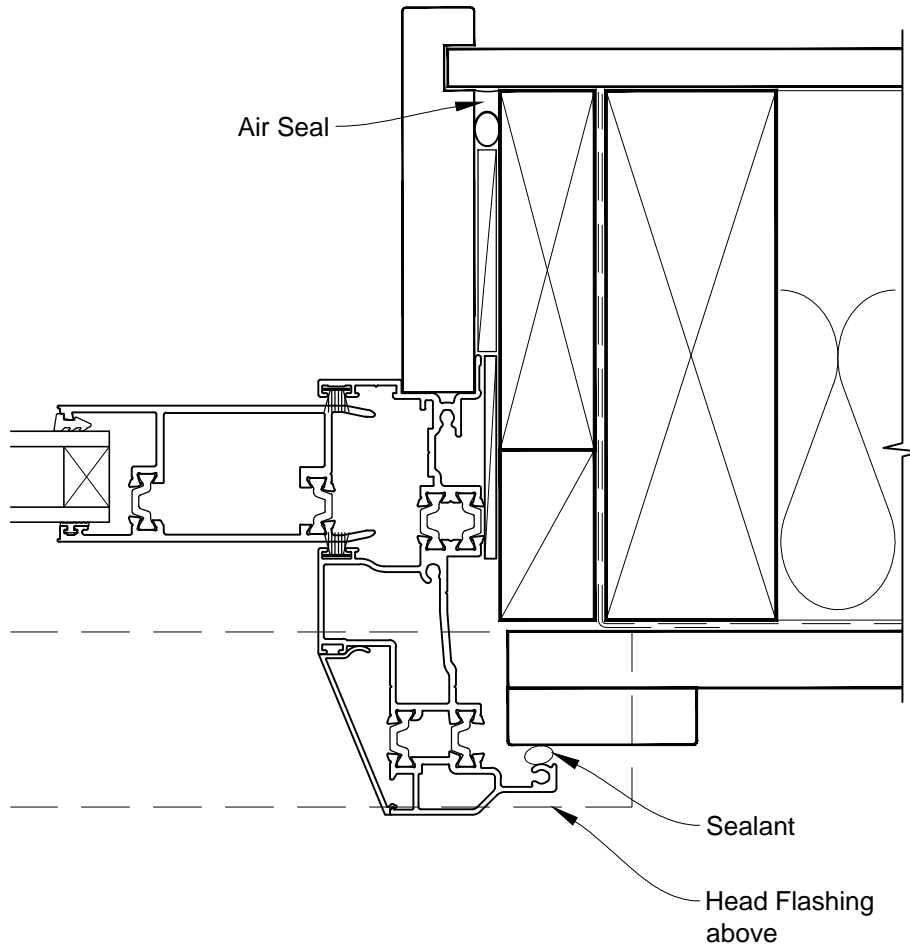


# INSTALLATION DETAIL - VANTAGE RESIDENTIAL THERMAL HEART - SLIDING WINDOW ON BOARD & BATTEN DIRECT FIXED CLADDING

Date: 01.03.14

Scale: 1:2

CAD Ref.: VTSWBB-DJ



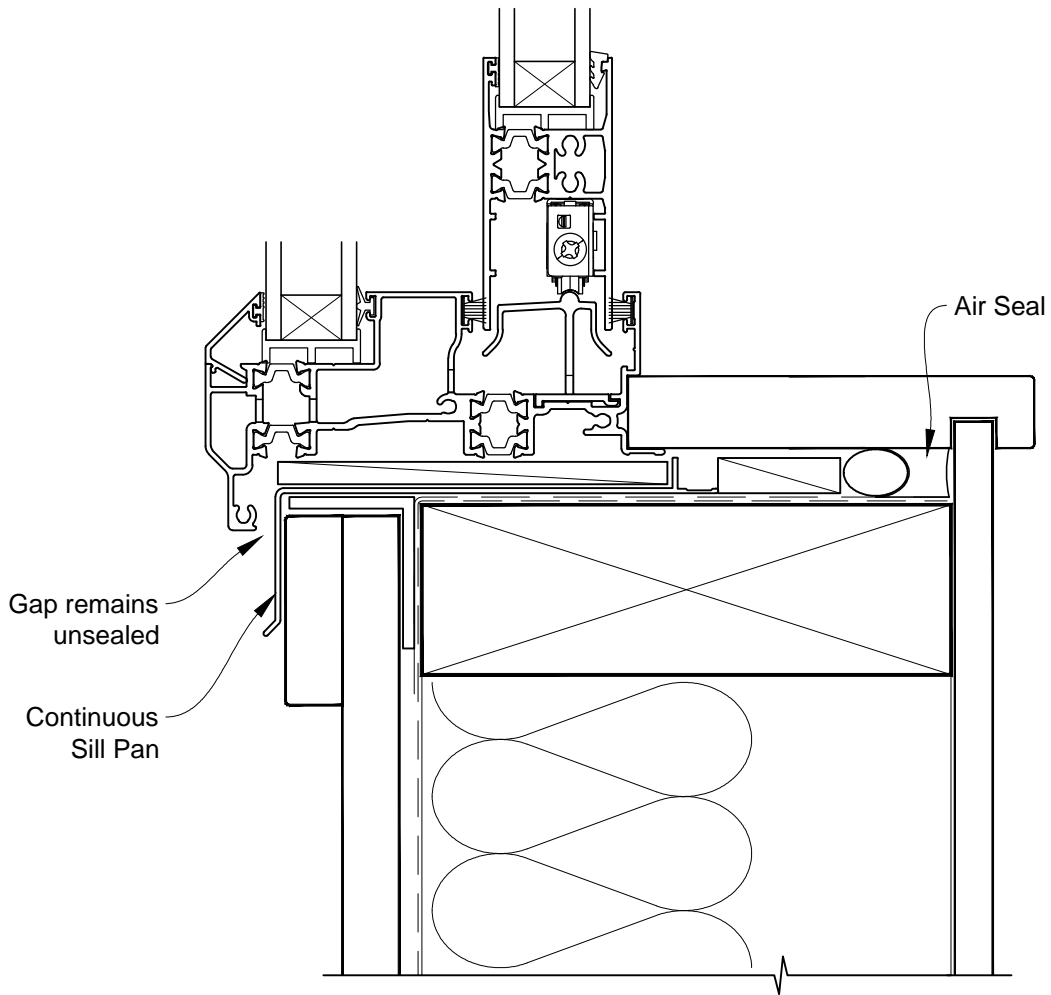


# INSTALLATION DETAIL - VANTAGE RESIDENTIAL THERMAL HEART - SLIDING WINDOW ON BOARD & BATTEN DIRECT FIXED CLADDING

Date: 01.03.14

Scale: 1:2

CAD Ref.: VTSWBB-DS





# INSTALLATION DETAIL - VANTAGE RESIDENTIAL THERMAL HEART - SLIDING WINDOW ON BOARD & BATTEN DIRECT FIXED CLADDING

Date: 01.03.14

Scale: 1:2

CAD Ref.: VTSWBB-DS2

