

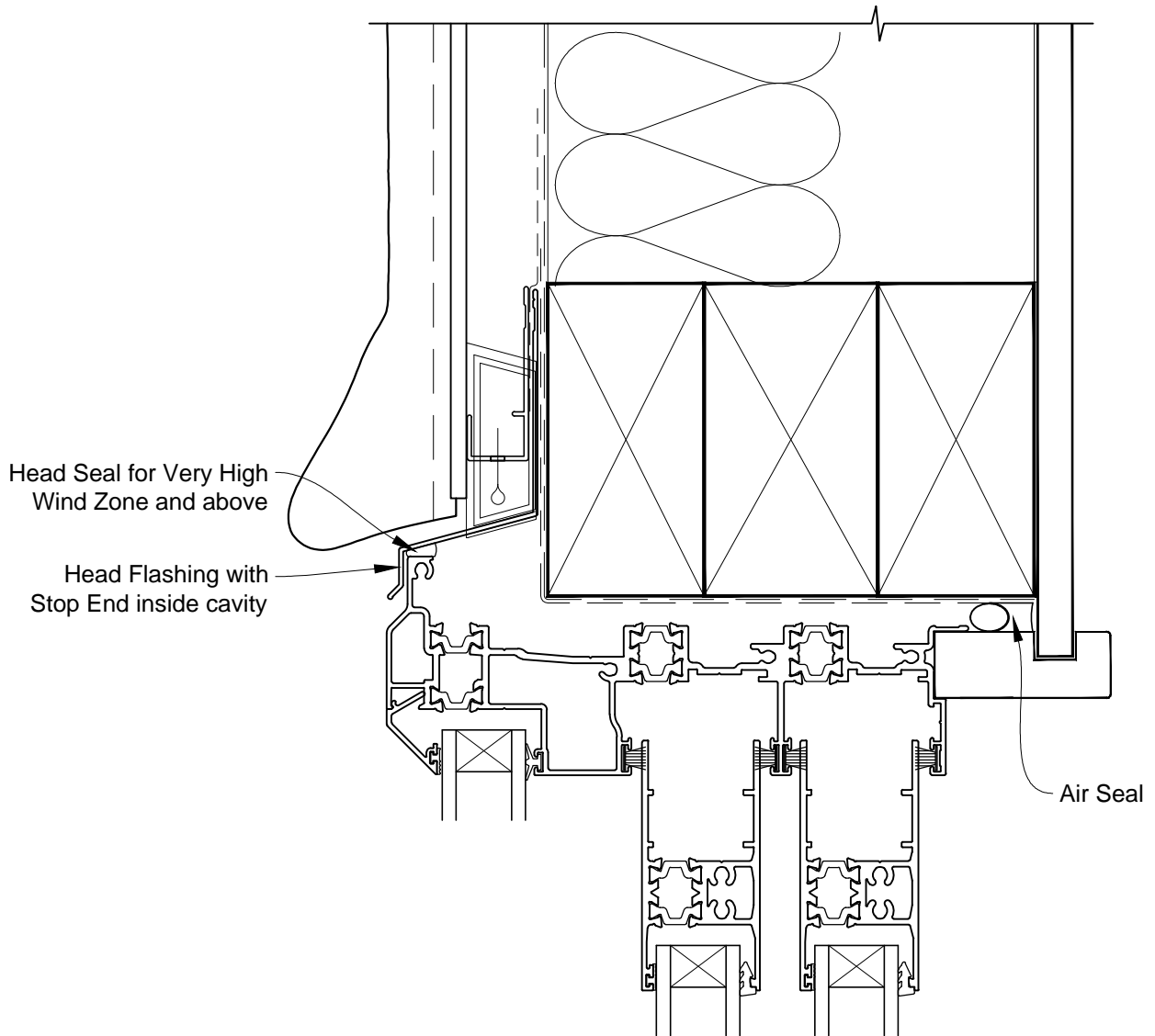


INSTALLATION DETAIL - VANTAGE RESIDENTIAL THERMAL HEART - MULTISLIDER WINDOW ON STUCCO CAVITY CONSTRUCTION

Date: 01.03.14

Scale: 1:2

CAD Ref.: VTMWST-CH



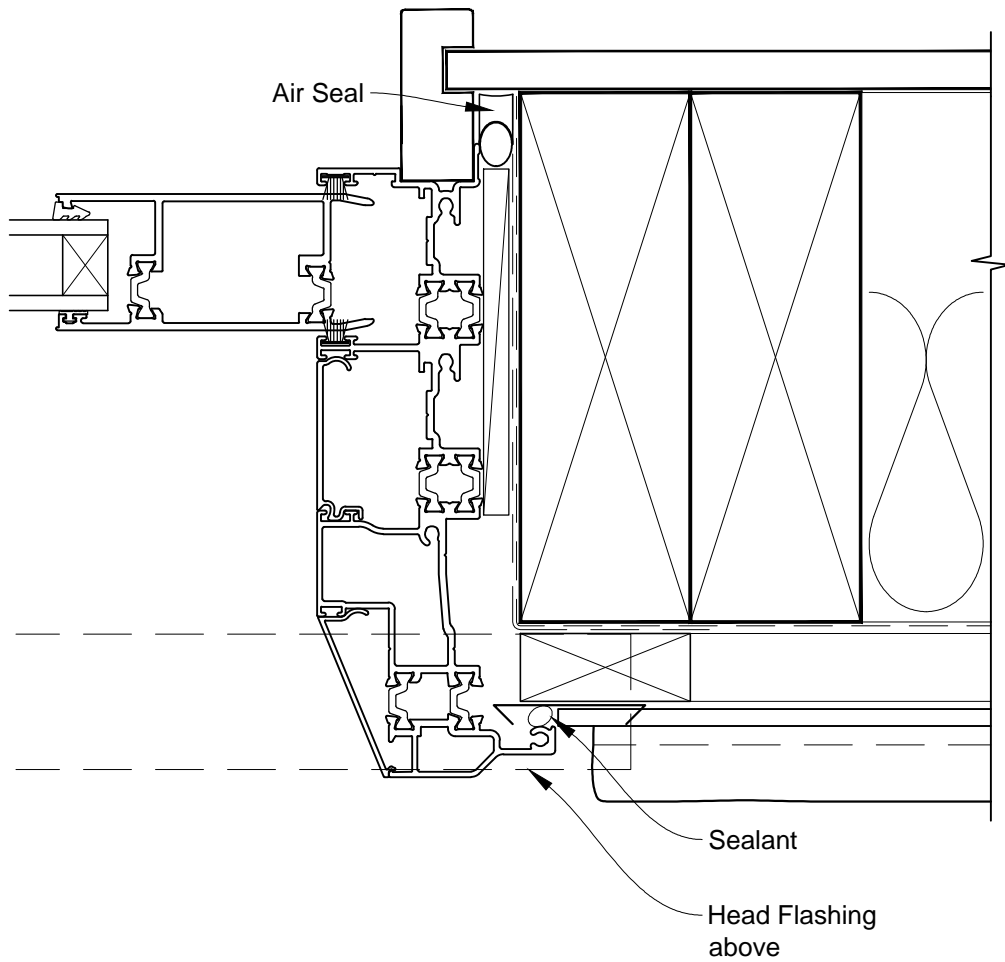


INSTALLATION DETAIL - VANTAGE RESIDENTIAL THERMAL HEART - MULTISLIDER WINDOW ON STUCCO CAVITY CONSTRUCTION

Date: 01.03.14

Scale: 1:2

CAD Ref.: VTMWST-CJ



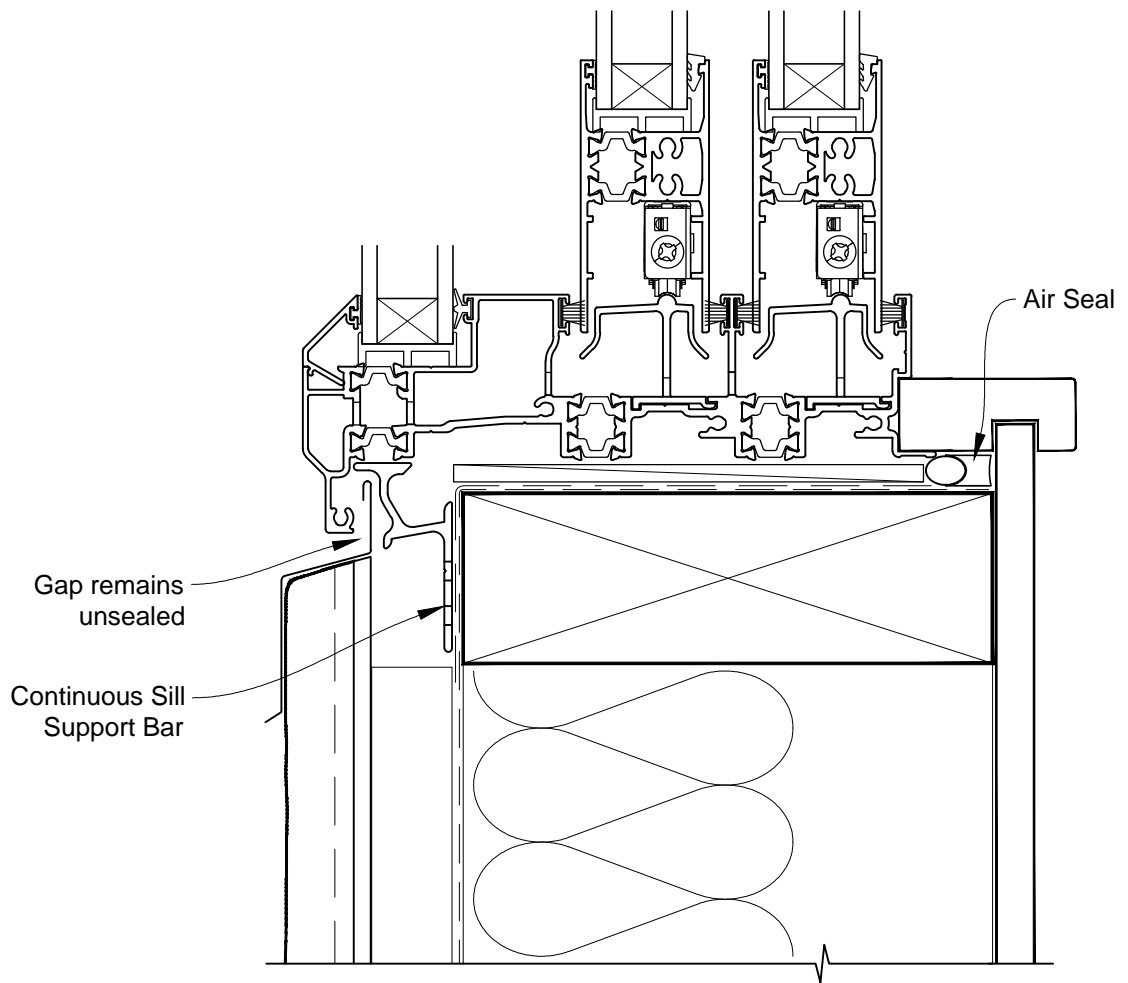


INSTALLATION DETAIL - VANTAGE RESIDENTIAL THERMAL HEART - MULTISLIDER WINDOW ON STUCCO CAVITY CONSTRUCTION

Date: 01.03.14

Scale: 1:2

CAD Ref.: VTMWST-CS





INSTALLATION DETAIL - VANTAGE RESIDENTIAL THERMAL HEART - MULTISLIDER WINDOW ON STUCCO CAVITY CONSTRUCTION

Date: 01.03.14

Scale: 1:2

CAD Ref.: VTMWST-CS2

