

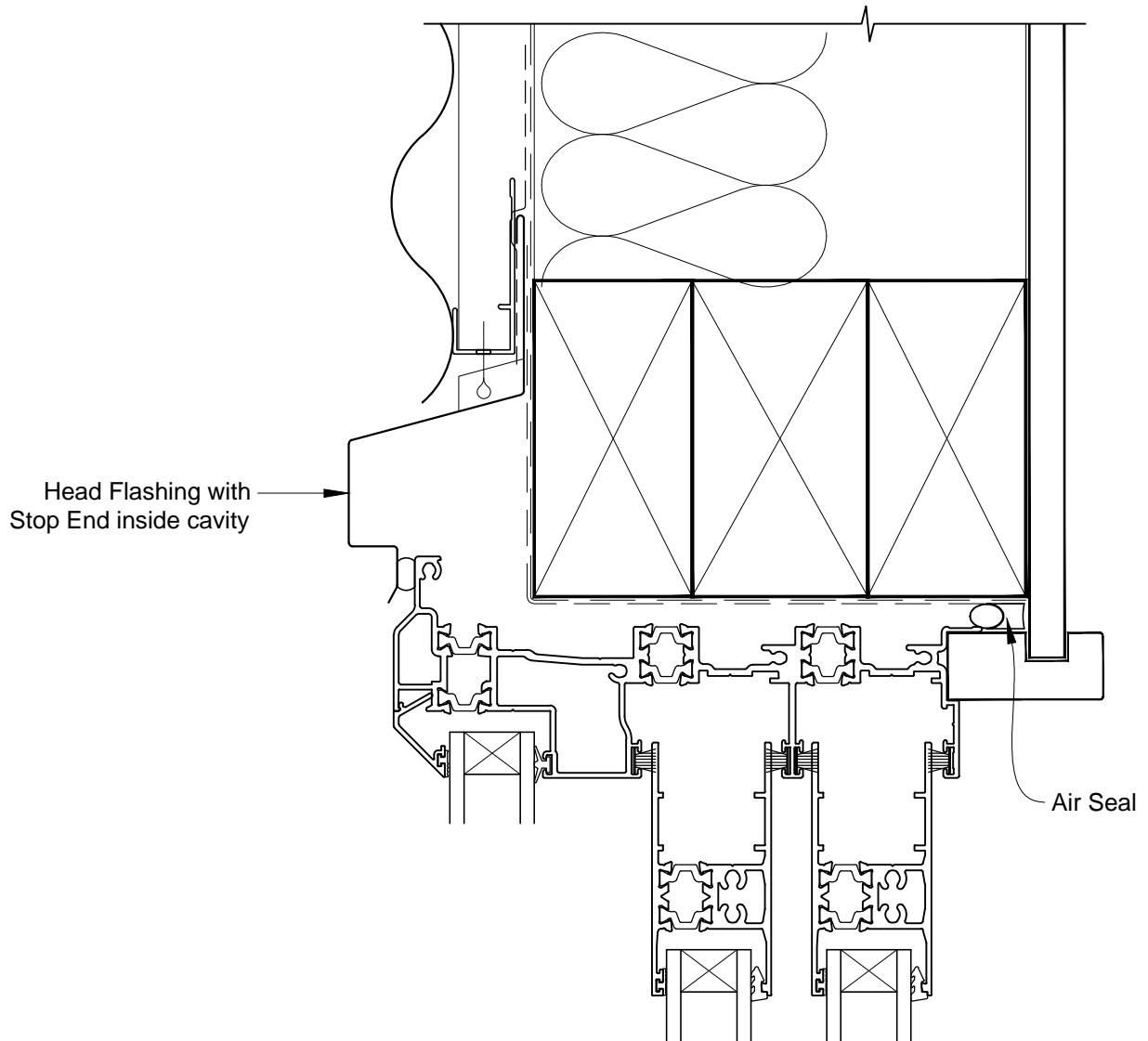


# INSTALLATION DETAIL - VANTAGE RESIDENTIAL THERMAL HEART - MULTISLIDER WINDOW ON PROFILE METAL CAVITY CONSTRUCTION

Date: 01.03.14

Scale: 1:2

CAD Ref.: VTMWPM-CH



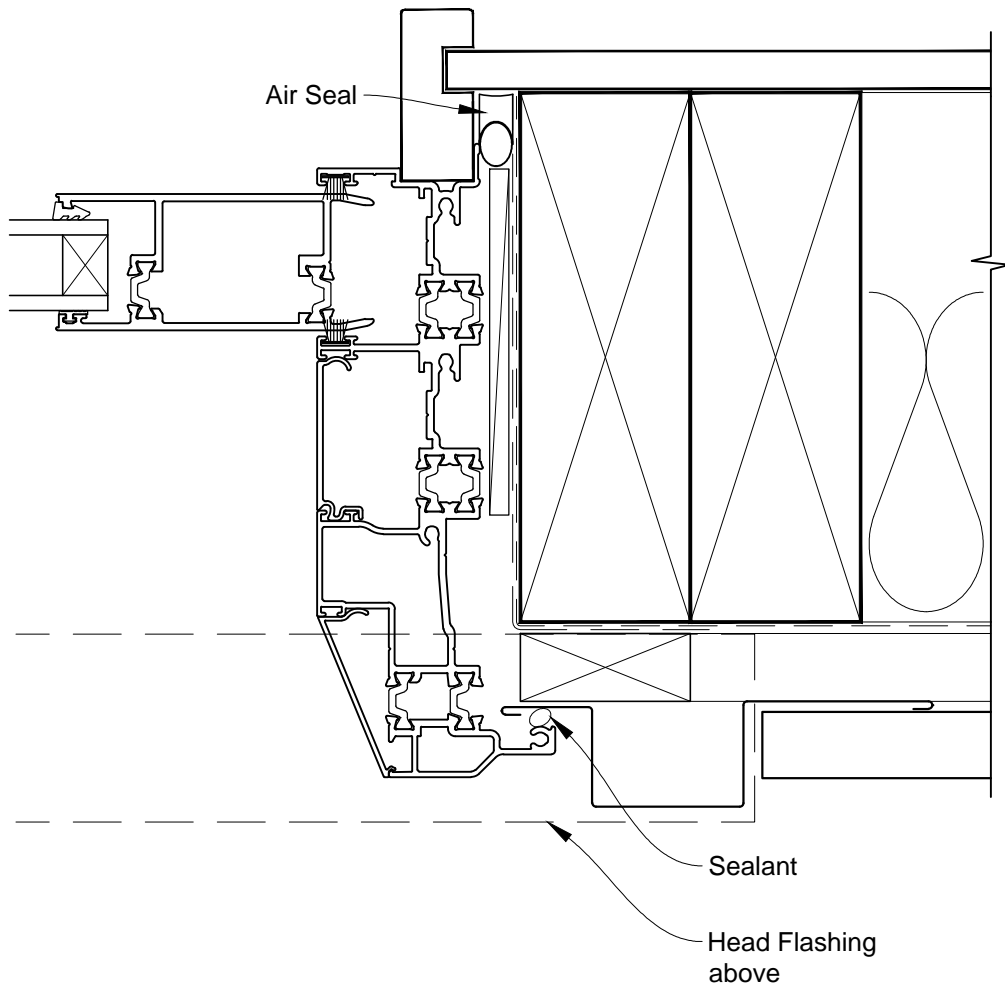


# INSTALLATION DETAIL - VANTAGE RESIDENTIAL THERMAL HEART - MULTISLIDER WINDOW ON PROFILE METAL CAVITY CONSTRUCTION

Date: 01.03.14

Scale: 1:2

CAD Ref.: VTMWPM-CJ



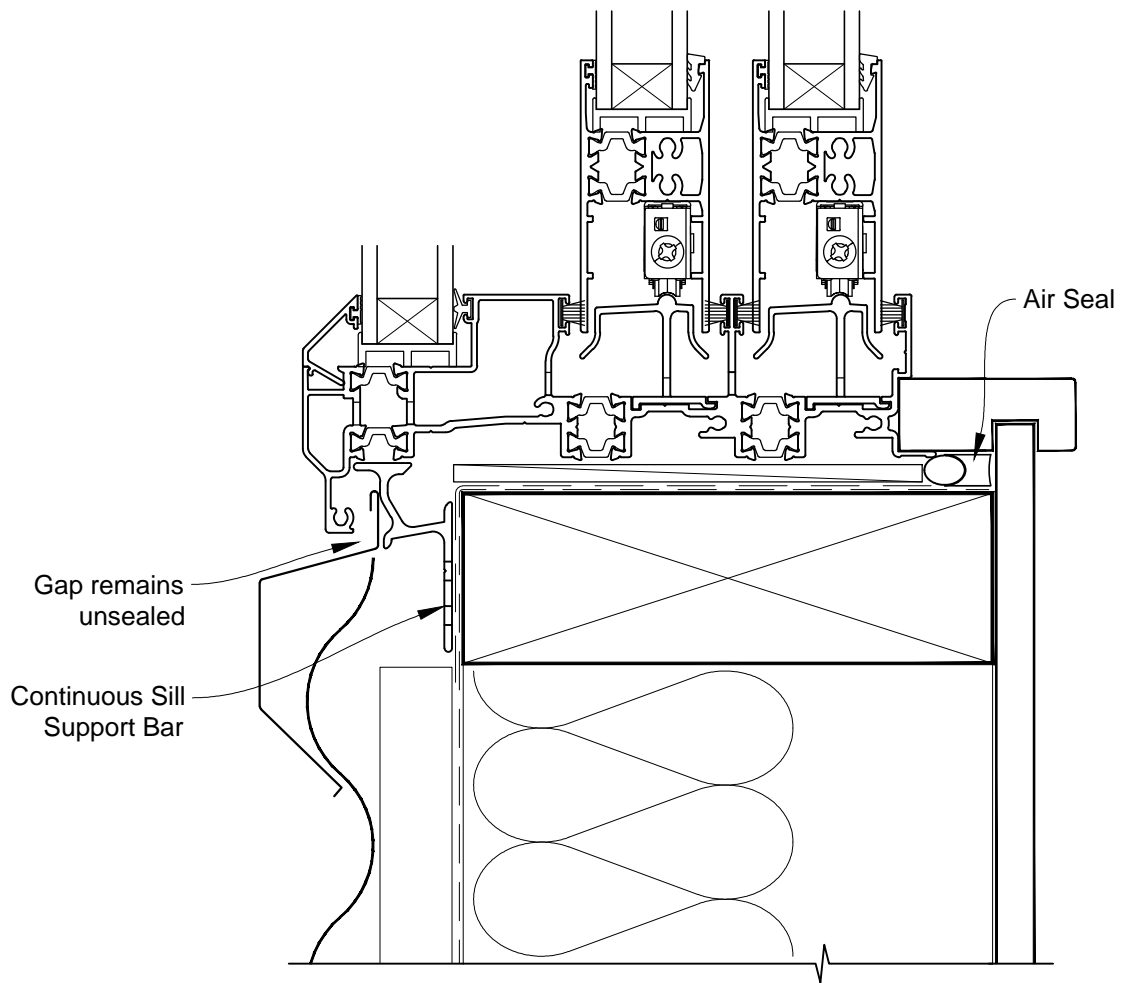


# INSTALLATION DETAIL - VANTAGE RESIDENTIAL THERMAL HEART - MULTISLIDER WINDOW ON PROFILE METAL CAVITY CONSTRUCTION

Date: 01.03.14

Scale: 1:2

CAD Ref.: VTMWPM-CS



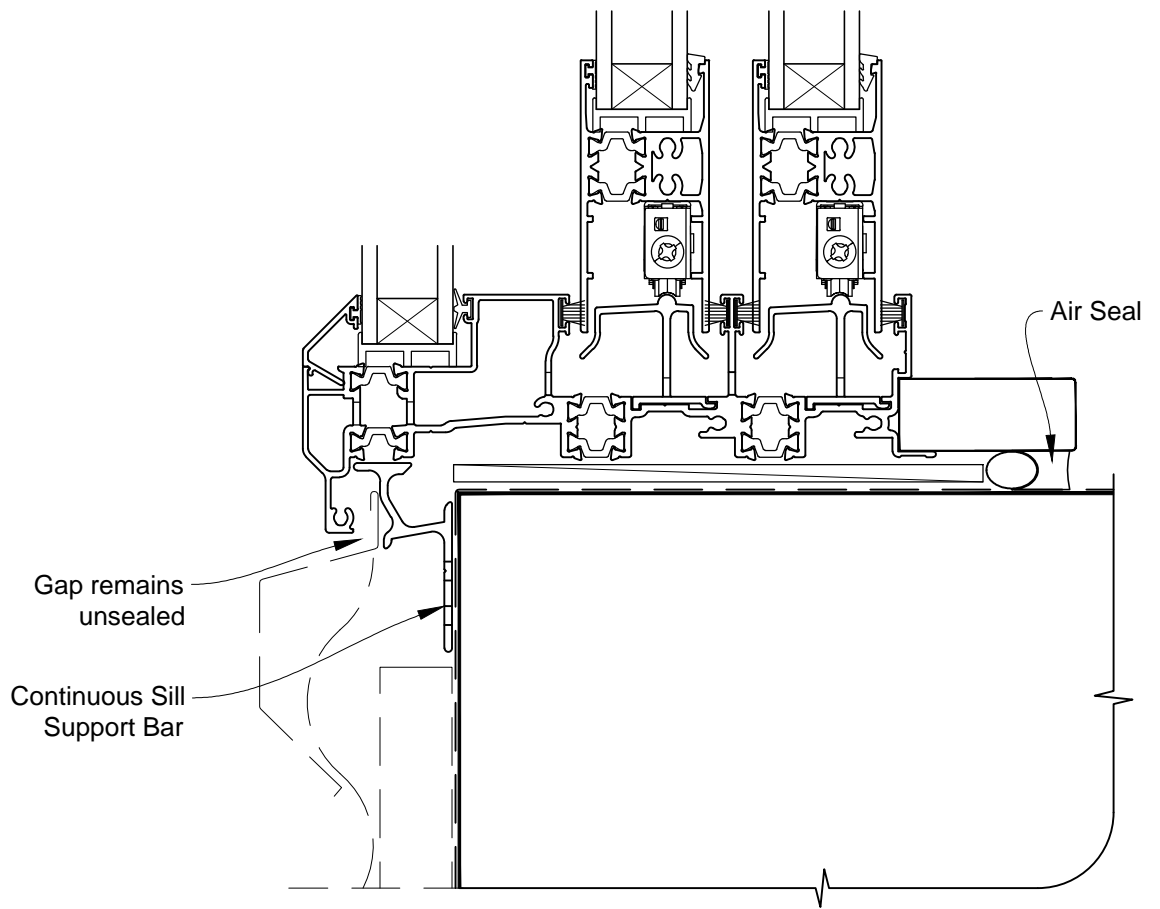


# INSTALLATION DETAIL - VANTAGE RESIDENTIAL THERMAL HEART - MULTISLIDER WINDOW ON PROFILE METAL CAVITY CONSTRUCTION

Date: 01.03.14

Scale: 1:2

CAD Ref.: VTMWPM-CS2



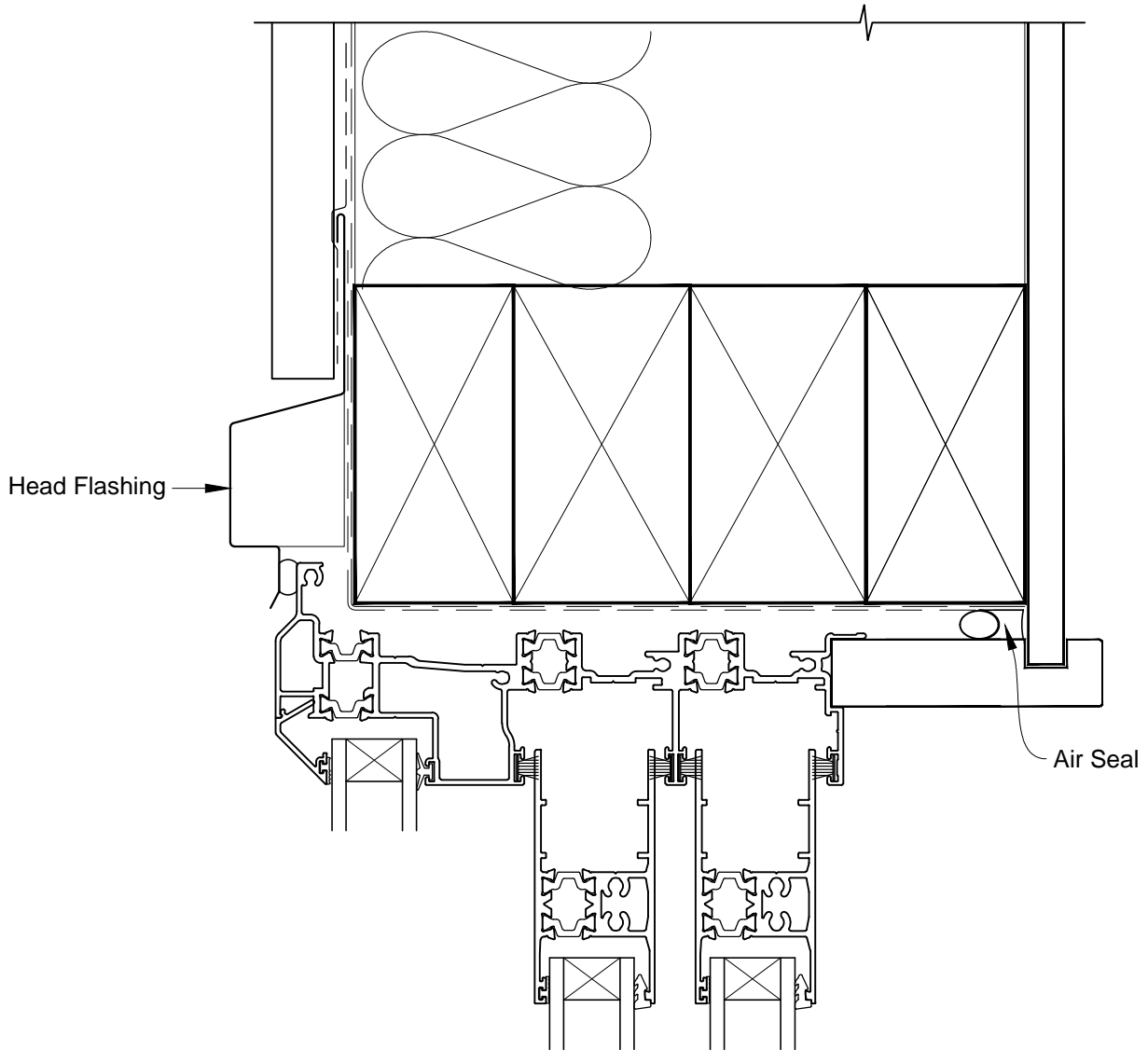


# INSTALLATION DETAIL - VANTAGE RESIDENTIAL THERMAL HEART - MULTISLIDER WINDOW ON PROFILE METAL DIRECT FIXED CLADDING

Date: 01.03.14

Scale: 1:2

CAD Ref.: VTMWPM-DH



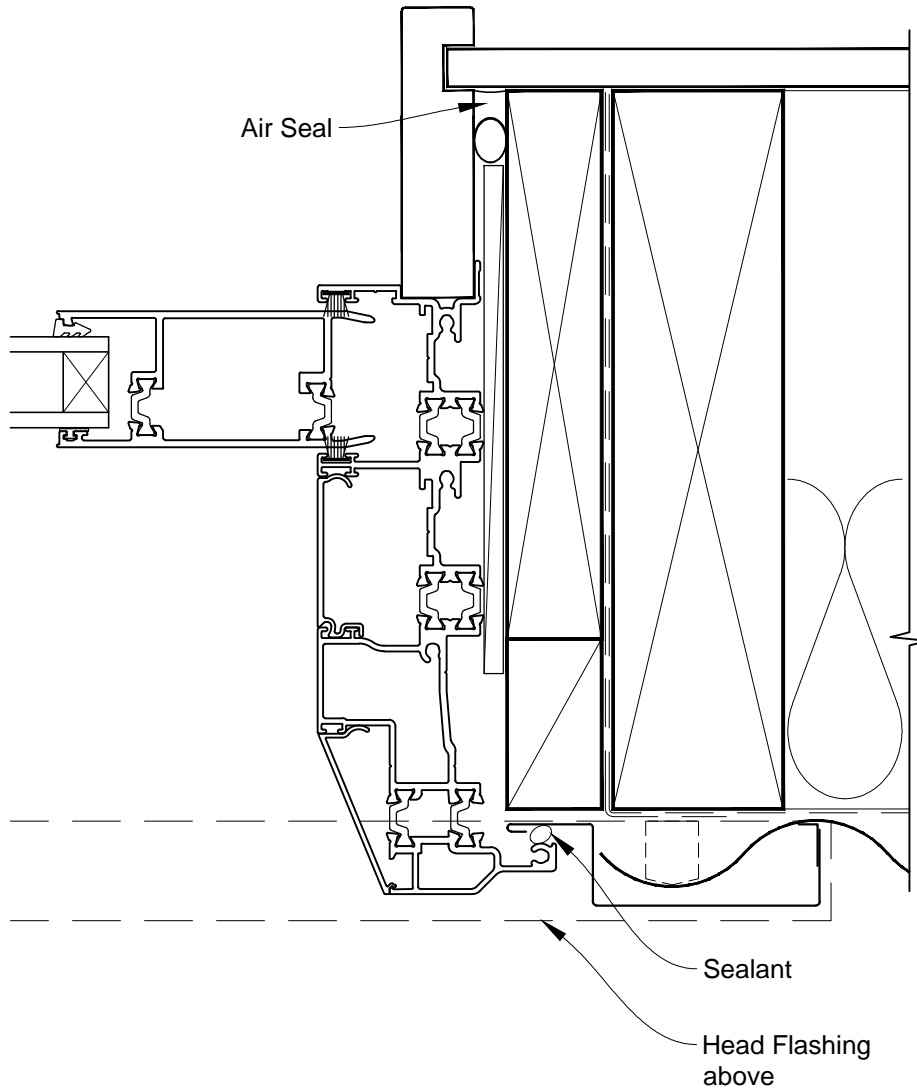


# INSTALLATION DETAIL - VANTAGE RESIDENTIAL THERMAL HEART - MULTISLIDER WINDOW ON PROFILE METAL DIRECT FIXED CLADDING

Date: 01.03.14

Scale: 1:2

CAD Ref.: VTMWPM-DJ



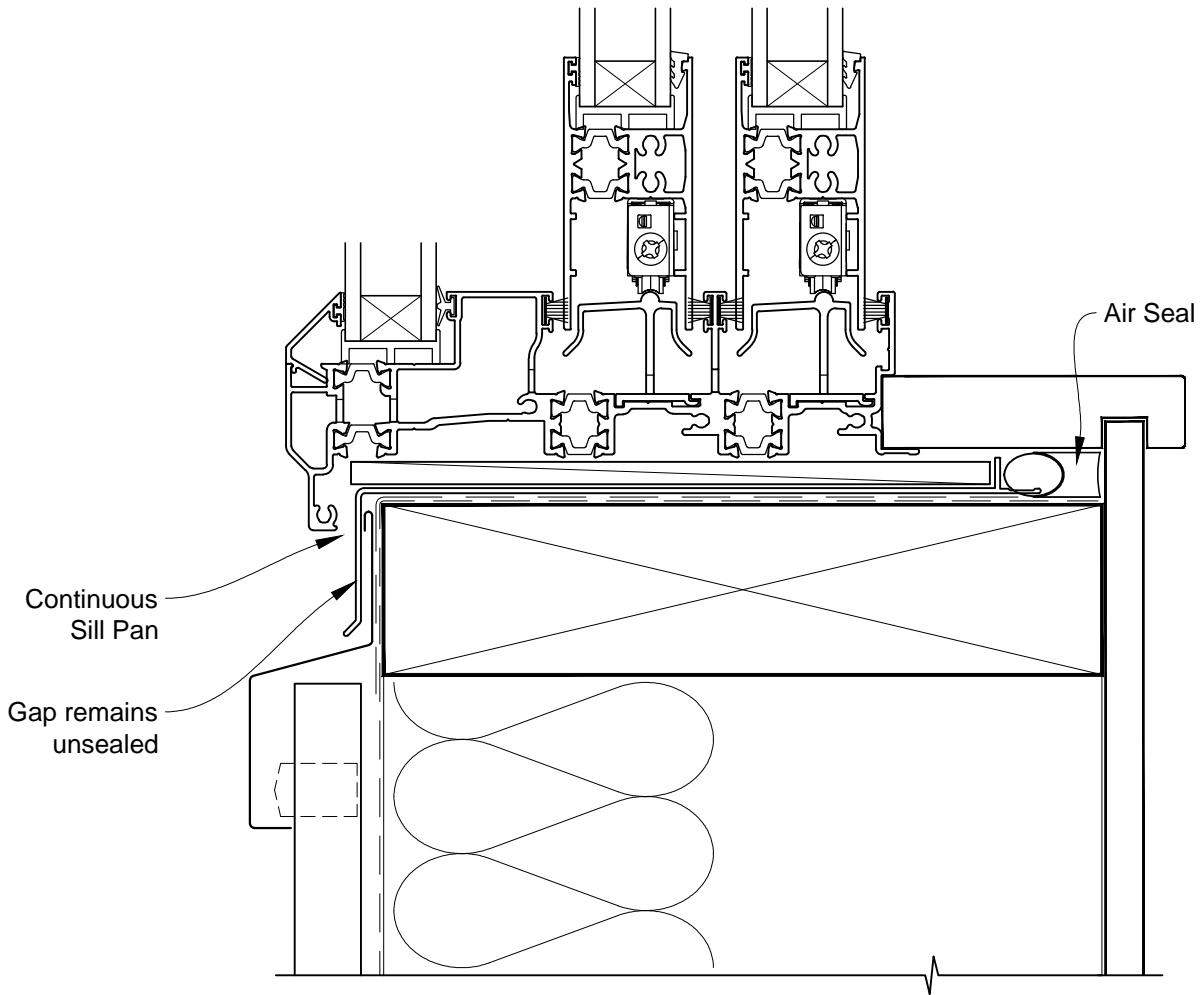


# INSTALLATION DETAIL - VANTAGE RESIDENTIAL THERMAL HEART - MULTISLIDER WINDOW ON PROFILE METAL DIRECT FIXED CLADDING

Date: 01.03.14

Scale: 1:2

CAD Ref.: VTMWPM-DS





# INSTALLATION DETAIL - VANTAGE RESIDENTIAL THERMAL HEART - MULTISLIDER WINDOW ON PROFILE METAL DIRECT FIXED CLADDING

Date: 01.03.14

Scale: 1:2

CAD Ref.: VTMWPM-DS2

