

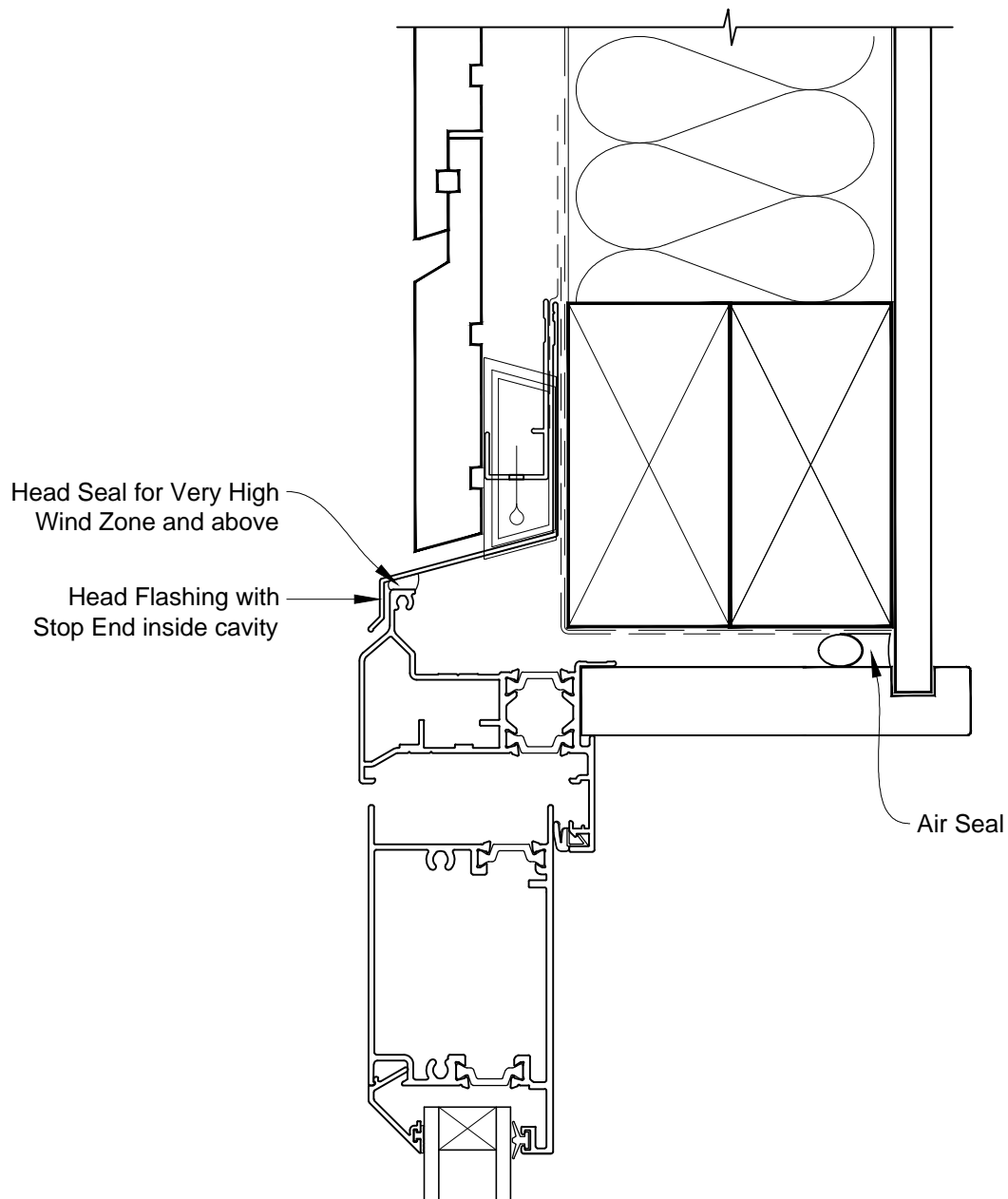


INSTALLATION DETAIL - VANTAGE RESIDENTIAL THERMAL HEART - HINGED DOOR OPEN OUT ON RUSTICATED WEATHERBOARD - CAVITY CONSTRUCTION

Date: 01.03.14

Scale: 1:2

CAD Ref.: VTHORW-CH



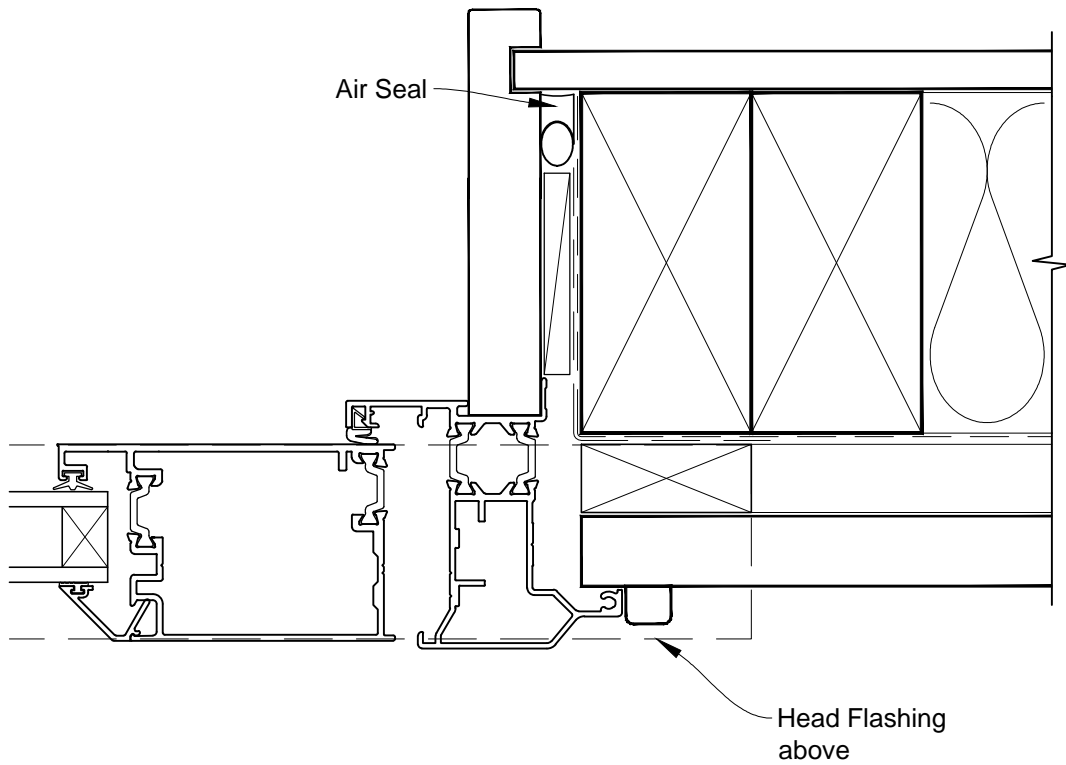


INSTALLATION DETAIL - VANTAGE RESIDENTIAL THERMAL HEART - HINGED DOOR OPEN OUT ON RUSTICATED WEATHERBOARD - CAVITY CONSTRUCTION

Date: 01.03.14

Scale: 1:2

CAD Ref.: VTHORW-CJ



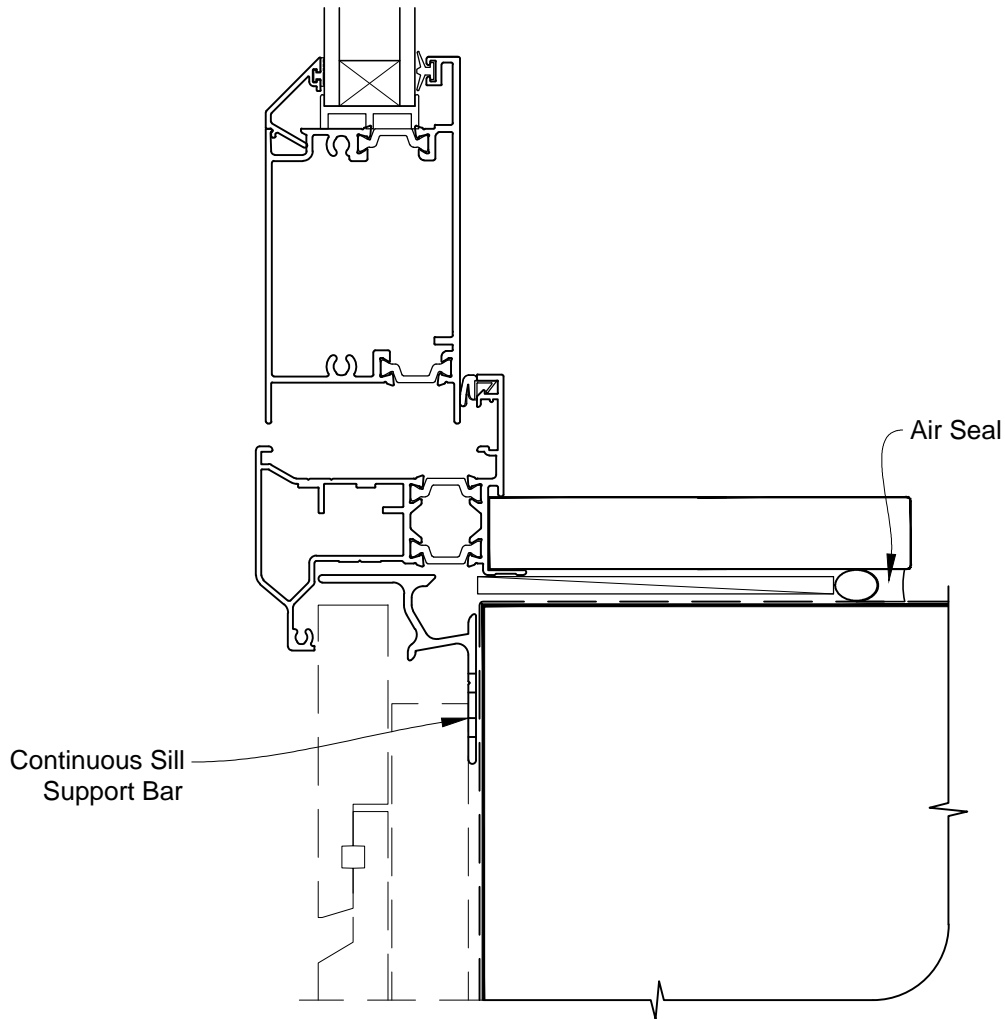


INSTALLATION DETAIL - VANTAGE RESIDENTIAL THERMAL HEART - HINGED DOOR OPEN OUT ON RUSTICATED WEATHERBOARD - CAVITY CONSTRUCTION

Date: 01.03.14

Scale: 1:2

CAD Ref.: VTHORW-CS



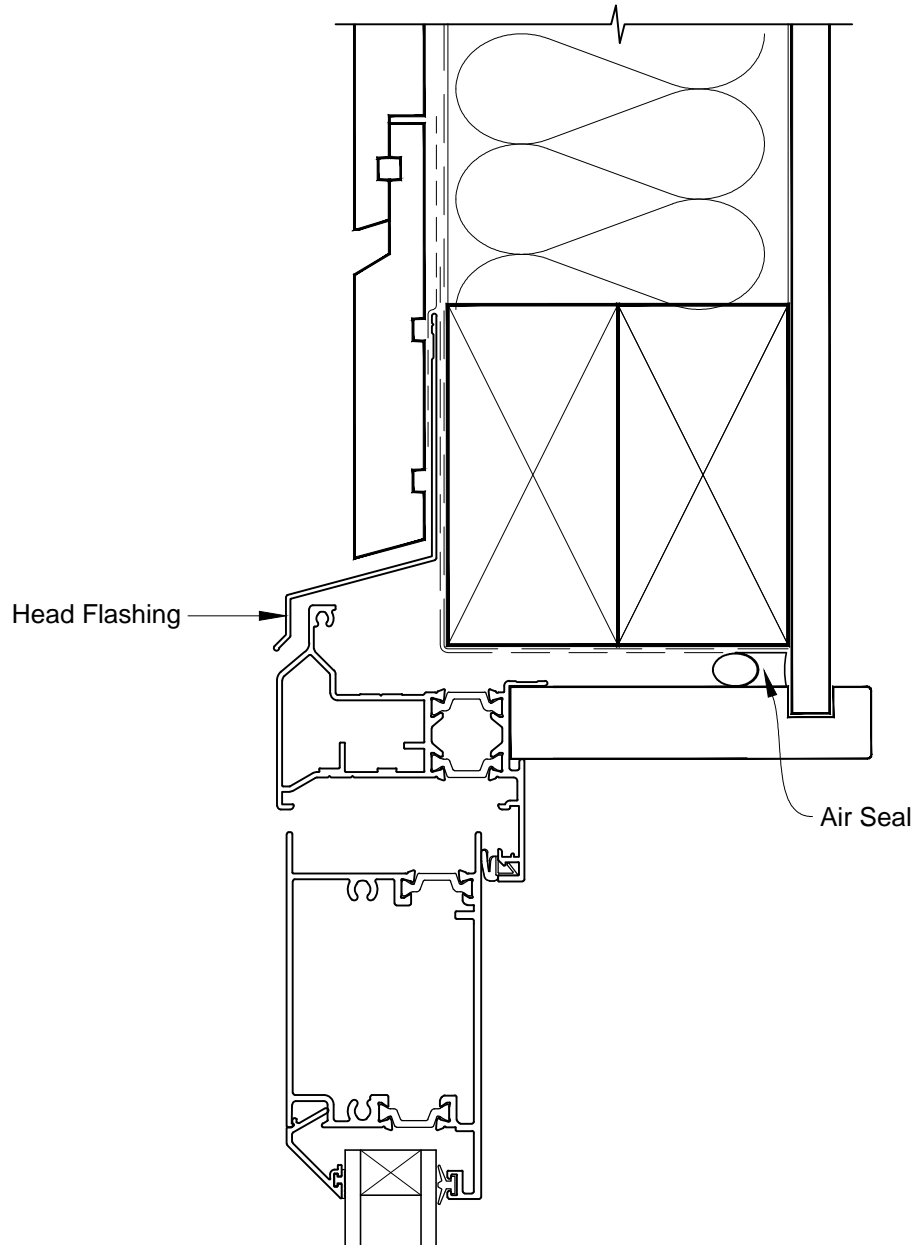


**INSTALLATION DETAIL - VANTAGE RESIDENTIAL THERMAL
HEART - HINGED DOOR OPEN OUT ON RUSTICATED
WEATHERBOARD - DIRECT FIXED CLADDING**

Date: 01.03.14

Scale: 1:2

CAD Ref.: VTHORW-DH



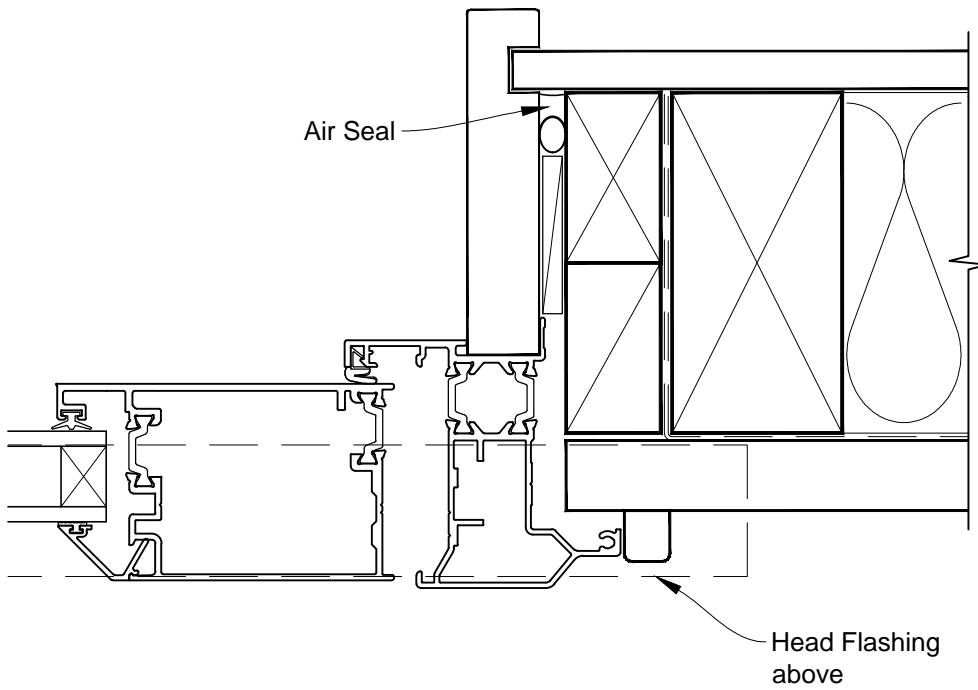


INSTALLATION DETAIL - VANTAGE RESIDENTIAL THERMAL HEART - HINGED DOOR OPEN OUT ON RUSTICATED WEATHERBOARD - DIRECT FIXED CLADDING

Date: 01.03.14

Scale: 1:2

CAD Ref.: VTHORW-DJ





INSTALLATION DETAIL - VANTAGE RESIDENTIAL THERMAL HEART - HINGED DOOR OPEN OUT ON RUSTICATED WEATHERBOARD - DIRECT FIXED CLADDING

Date: 01.03.14

Scale: 1:2

CAD Ref.: VTHORW-DS

