

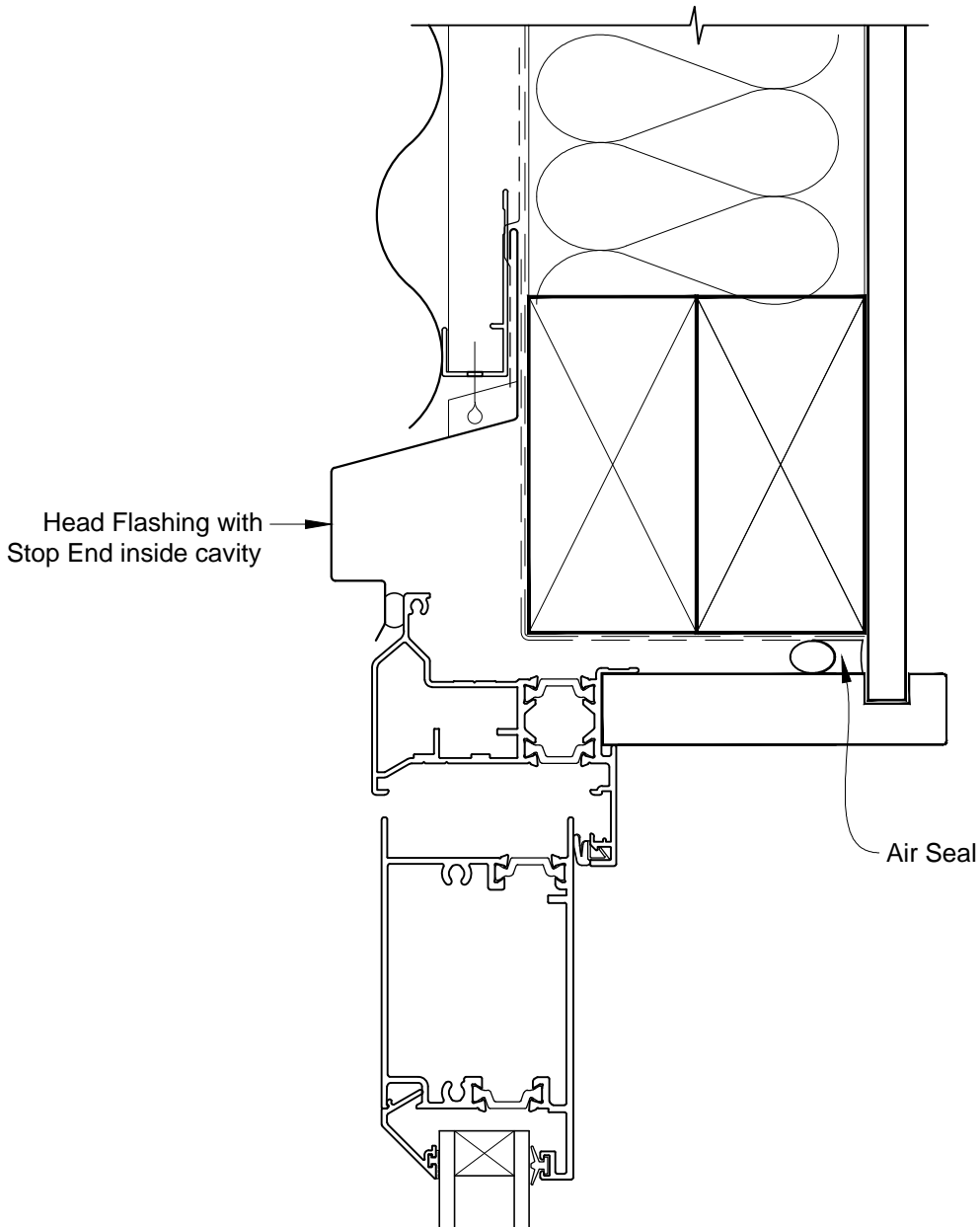


INSTALLATION DETAIL - VANTAGE RESIDENTIAL THERMAL HEART - HINGED DOOR OPEN OUT ON PROFILE METAL CAVITY CONSTRUCTION

Date: 01.03.14

Scale: 1:2

CAD Ref.: VTHOPM-CH



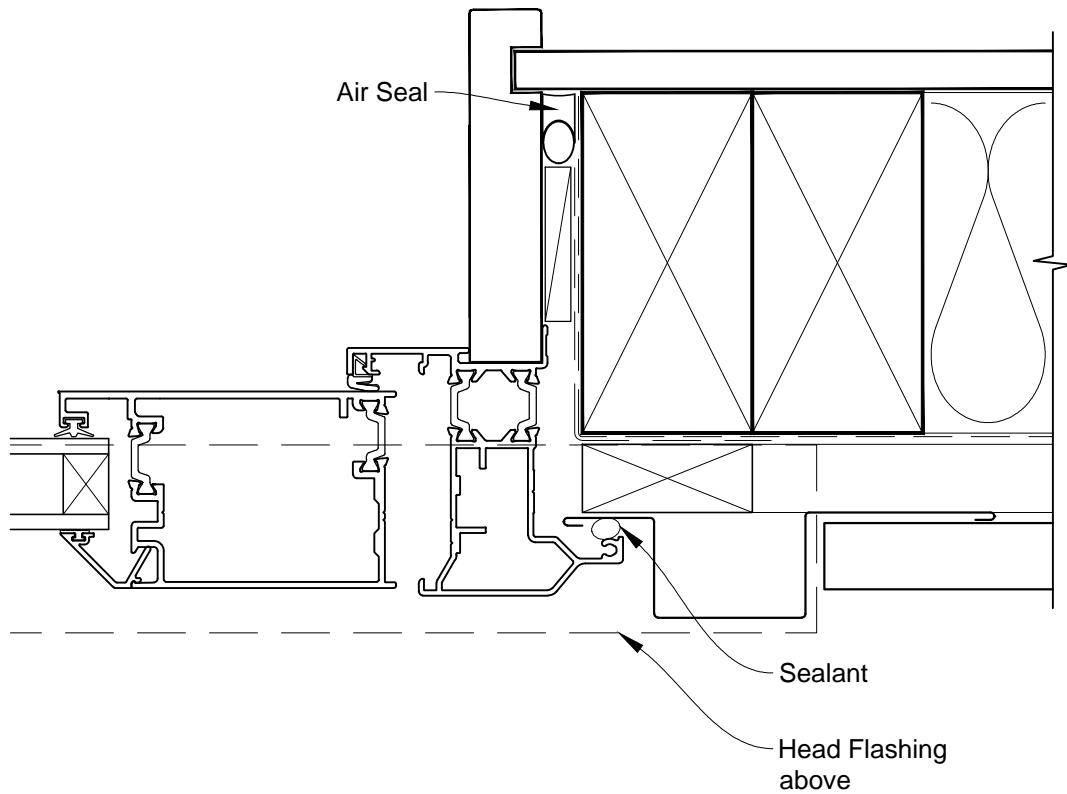


INSTALLATION DETAIL - VANTAGE RESIDENTIAL THERMAL HEART - HINGED DOOR OPEN OUT ON PROFILE METAL CAVITY CONSTRUCTION

Date: 01.03.14

Scale: 1:2

CAD Ref.: VTHOPM-CJ



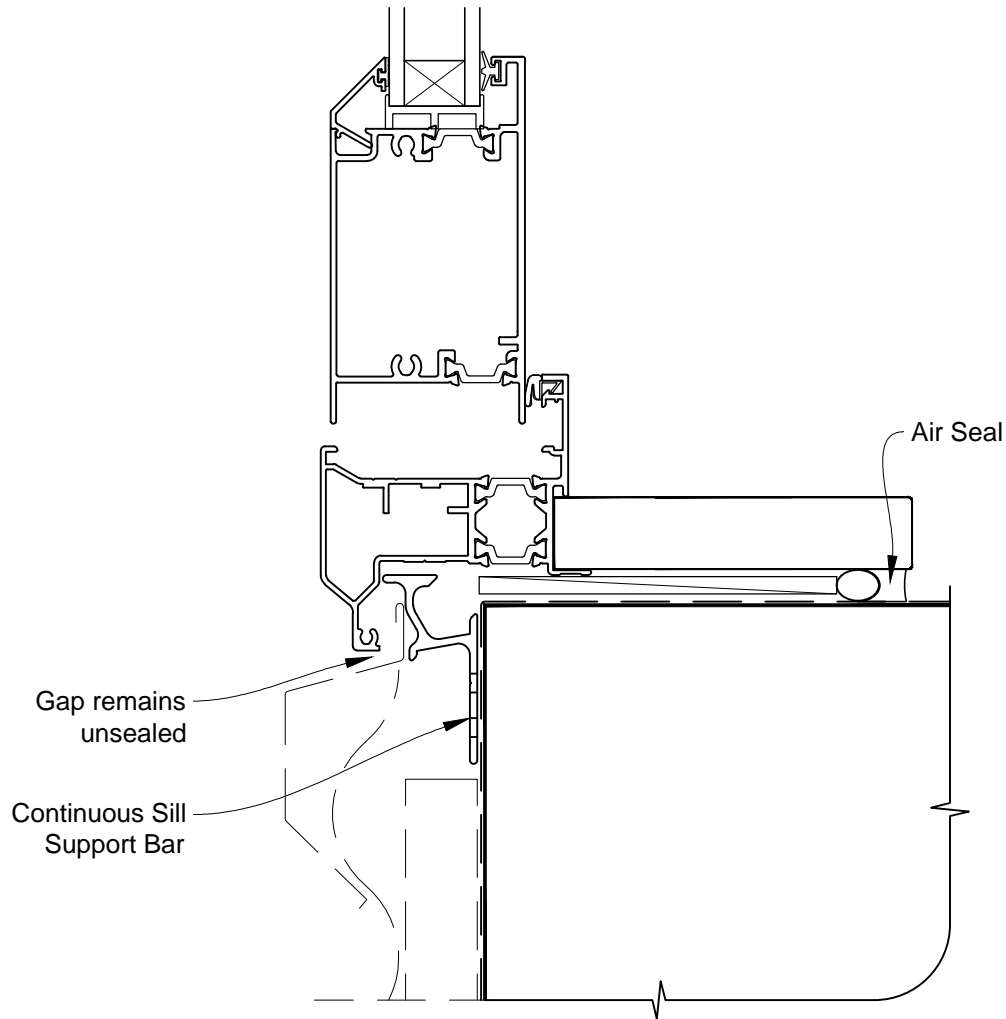


INSTALLATION DETAIL - VANTAGE RESIDENTIAL THERMAL HEART - HINGED DOOR OPEN OUT ON PROFILE METAL CAVITY CONSTRUCTION

Date: 01.03.14

Scale: 1:2

CAD Ref.: VTHOPM-CS



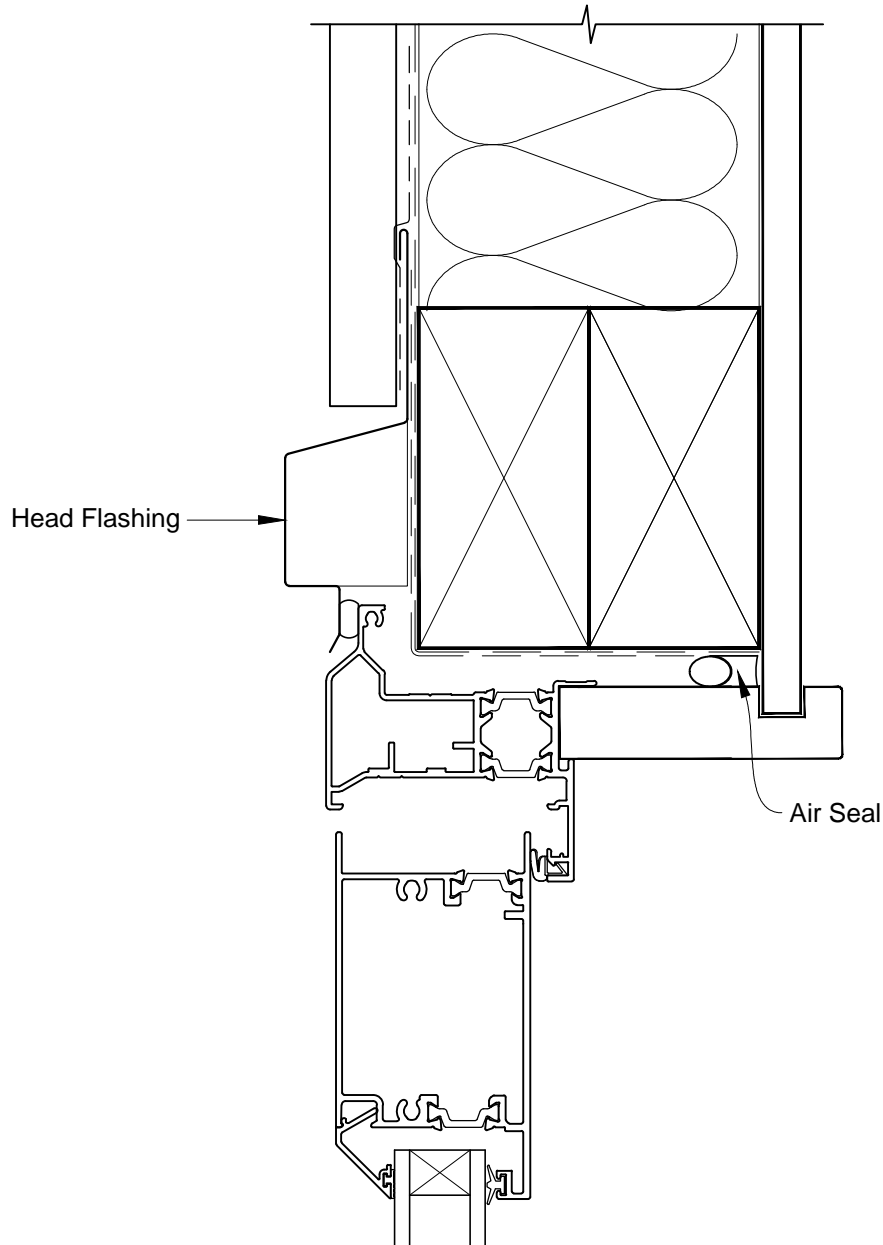


INSTALLATION DETAIL - VANTAGE RESIDENTIAL THERMAL HEART - HINGED DOOR OPEN OUT ON PROFILE METAL DIRECT FIXED CLADDING

Date: 01.03.14

Scale: 1:2

CAD Ref.: VTHOPM-DH



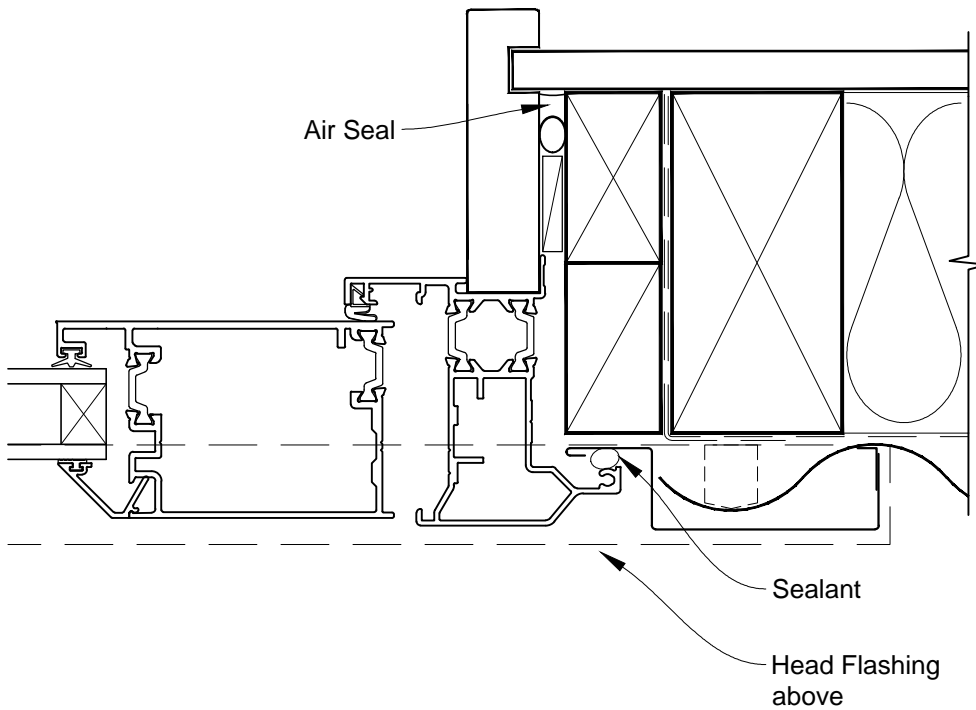


INSTALLATION DETAIL - VANTAGE RESIDENTIAL THERMAL HEART - HINGED DOOR OPEN OUT ON PROFILE METAL DIRECT FIXED CLADDING

Date: 01.03.14

Scale: 1:2

CAD Ref.: VTHOPM-DJ





INSTALLATION DETAIL - VANTAGE RESIDENTIAL THERMAL HEART - HINGED DOOR OPEN OUT ON PROFILE METAL DIRECT FIXED CLADDING

Date: 01.03.14

Scale: 1:2

CAD Ref.: VTHOPM-DS

