

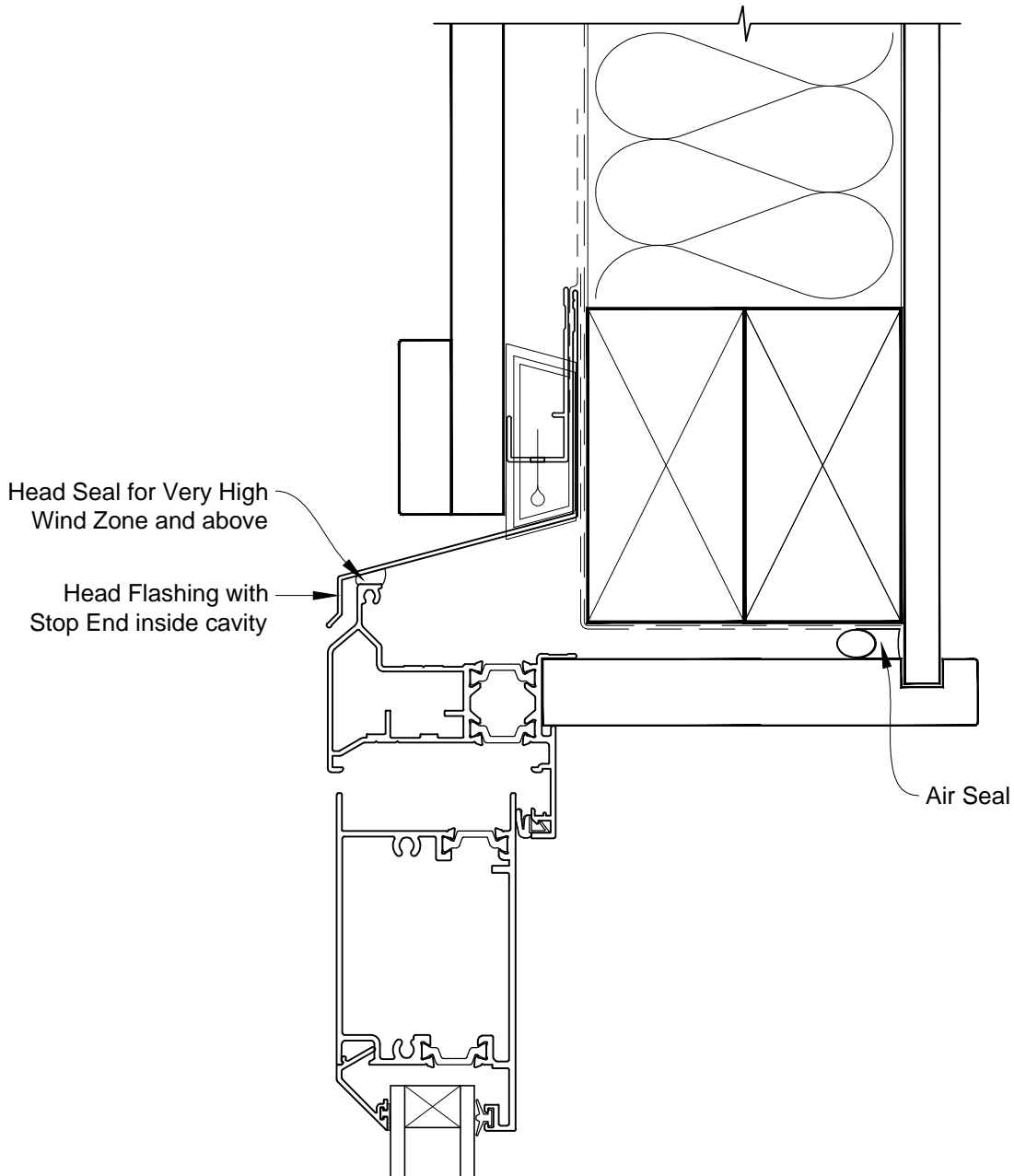


# INSTALLATION DETAIL - VANTAGE RESIDENTIAL THERMAL HEART - HINGED DOOR OPEN OUT DOOR ON BOARD & BATTEN CAVITY CONSTRUCTION

Date: 01.03.14

Scale: 1:2

CAD Ref.: VTHOBB-CH



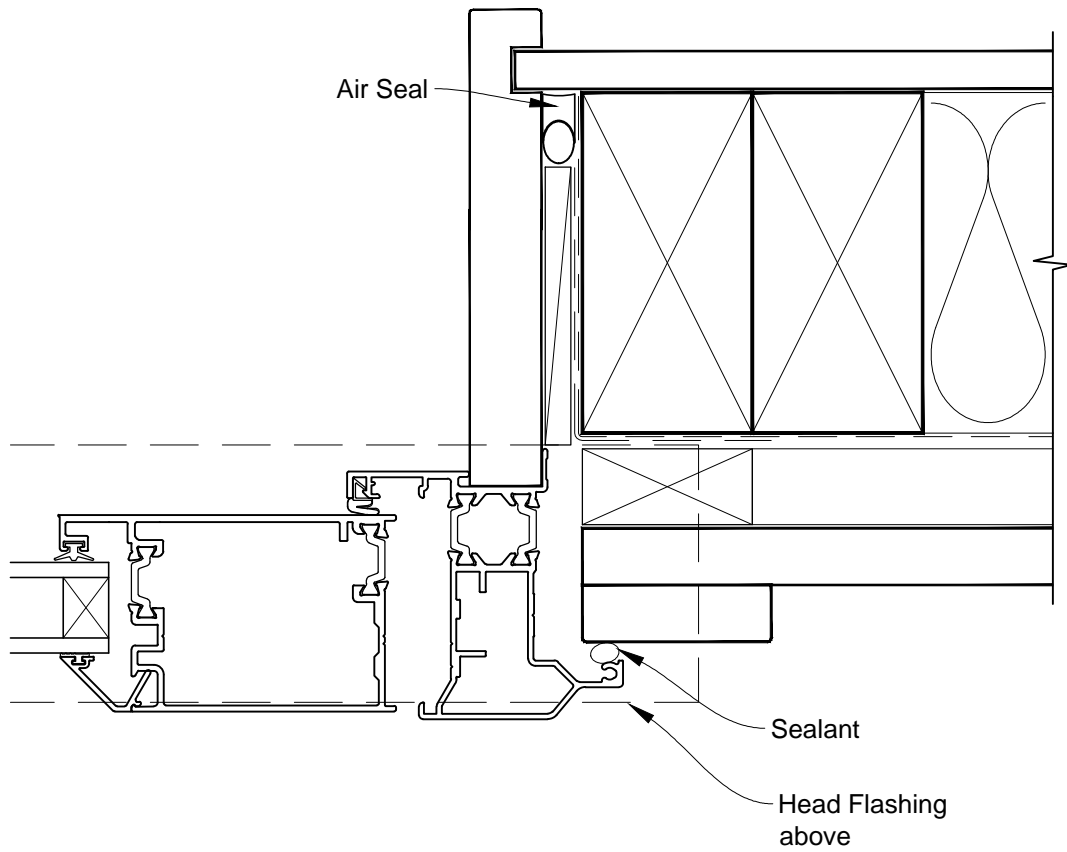


# INSTALLATION DETAIL - VANTAGE RESIDENTIAL THERMAL HEART - HINGED DOOR OPEN OUT DOOR ON BOARD & BATTEN CAVITY CONSTRUCTION

Date: 01.03.14

Scale: 1:2

CAD Ref.: VTHOBB-CJ



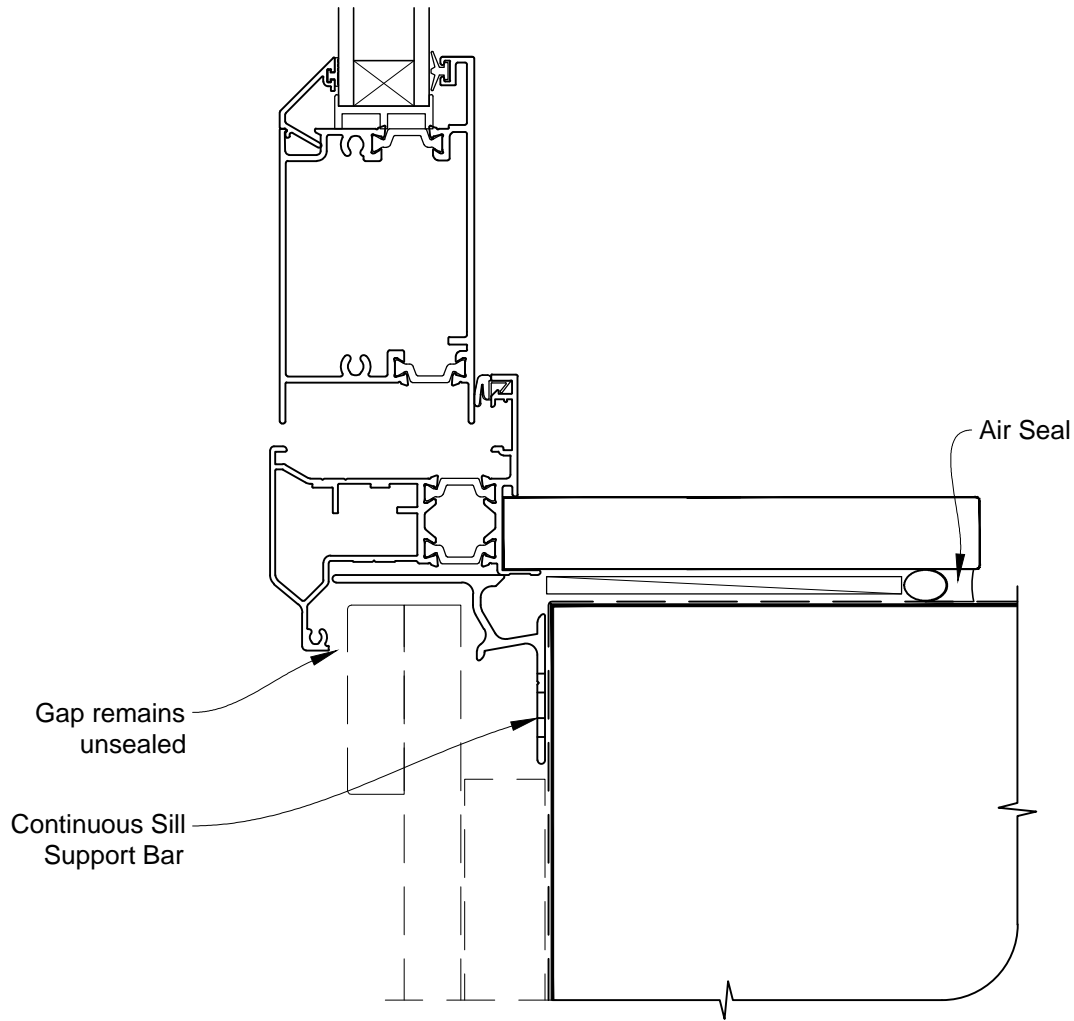


# INSTALLATION DETAIL - VANTAGE RESIDENTIAL THERMAL HEART - HINGED DOOR OPEN OUT DOOR ON BOARD & BATTEN CAVITY CONSTRUCTION

Date: 01.03.14

Scale: 1:2

CAD Ref.: VTHOBB-CS



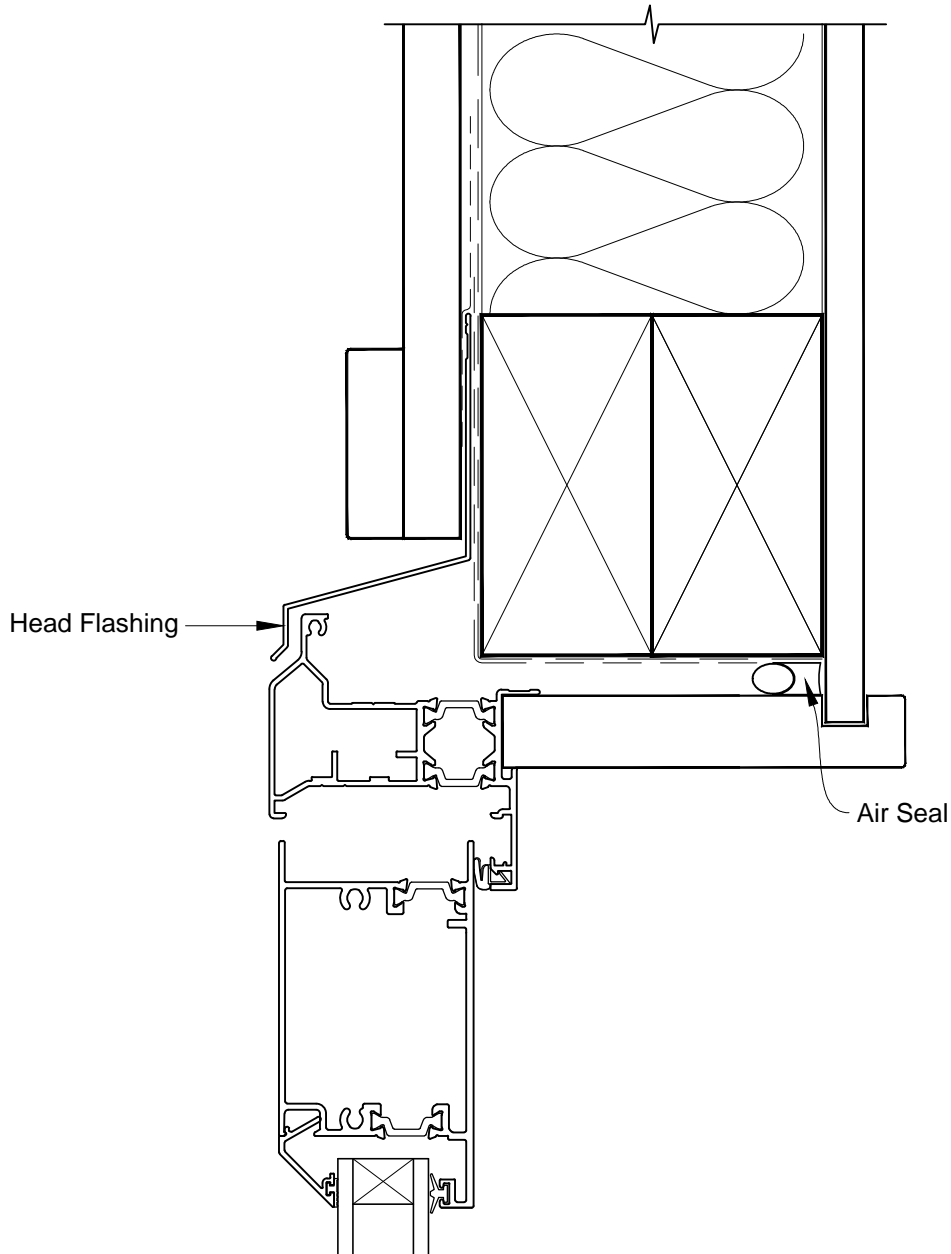


# INSTALLATION DETAIL - VANTAGE RESIDENTIAL THERMAL HEART - HINGED DOOR OPEN OUT DOOR ON BOARD & BATTEN DIRECT FIXED CLADDING

Date: 01.03.14

Scale: 1:2

CAD Ref.: VTHOBB-DH



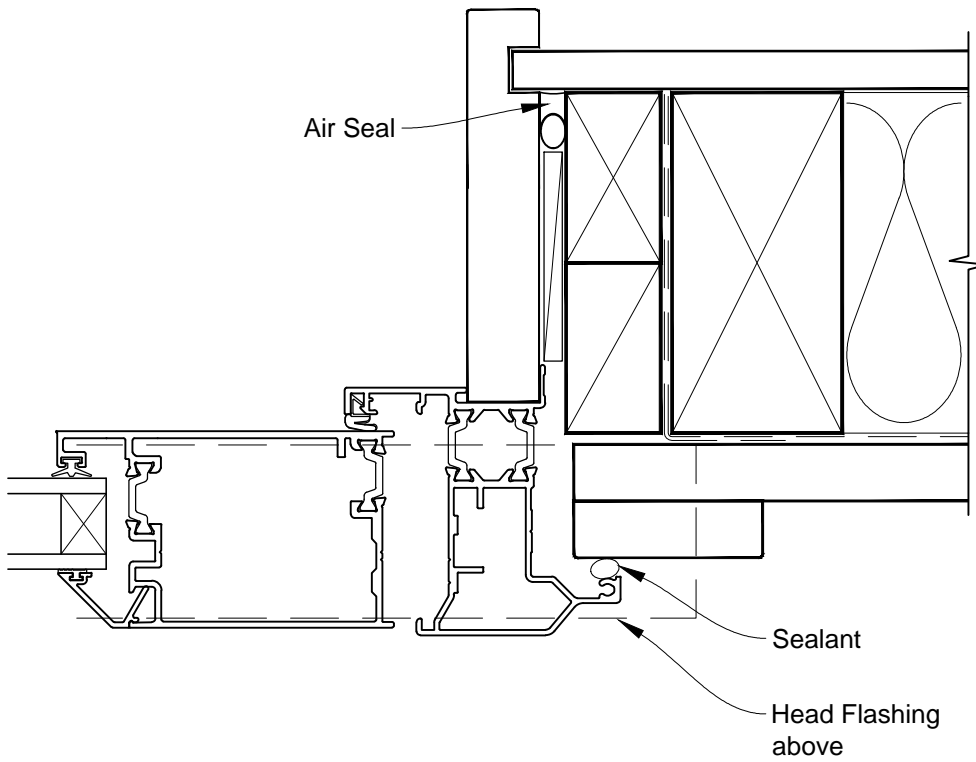


# INSTALLATION DETAIL - VANTAGE RESIDENTIAL THERMAL HEART - HINGED DOOR OPEN OUT DOOR ON BOARD & BATTEN DIRECT FIXED CLADDING

Date: 01.03.14

Scale: 1:2

CAD Ref.: VTHOBB-DJ





# INSTALLATION DETAIL - VANTAGE RESIDENTIAL THERMAL HEART - HINGED DOOR OPEN OUT DOOR ON BOARD & BATTEN DIRECT FIXED CLADDING

Date: 01.03.14

Scale: 1:2

CAD Ref.: VTHOBB-DS

