

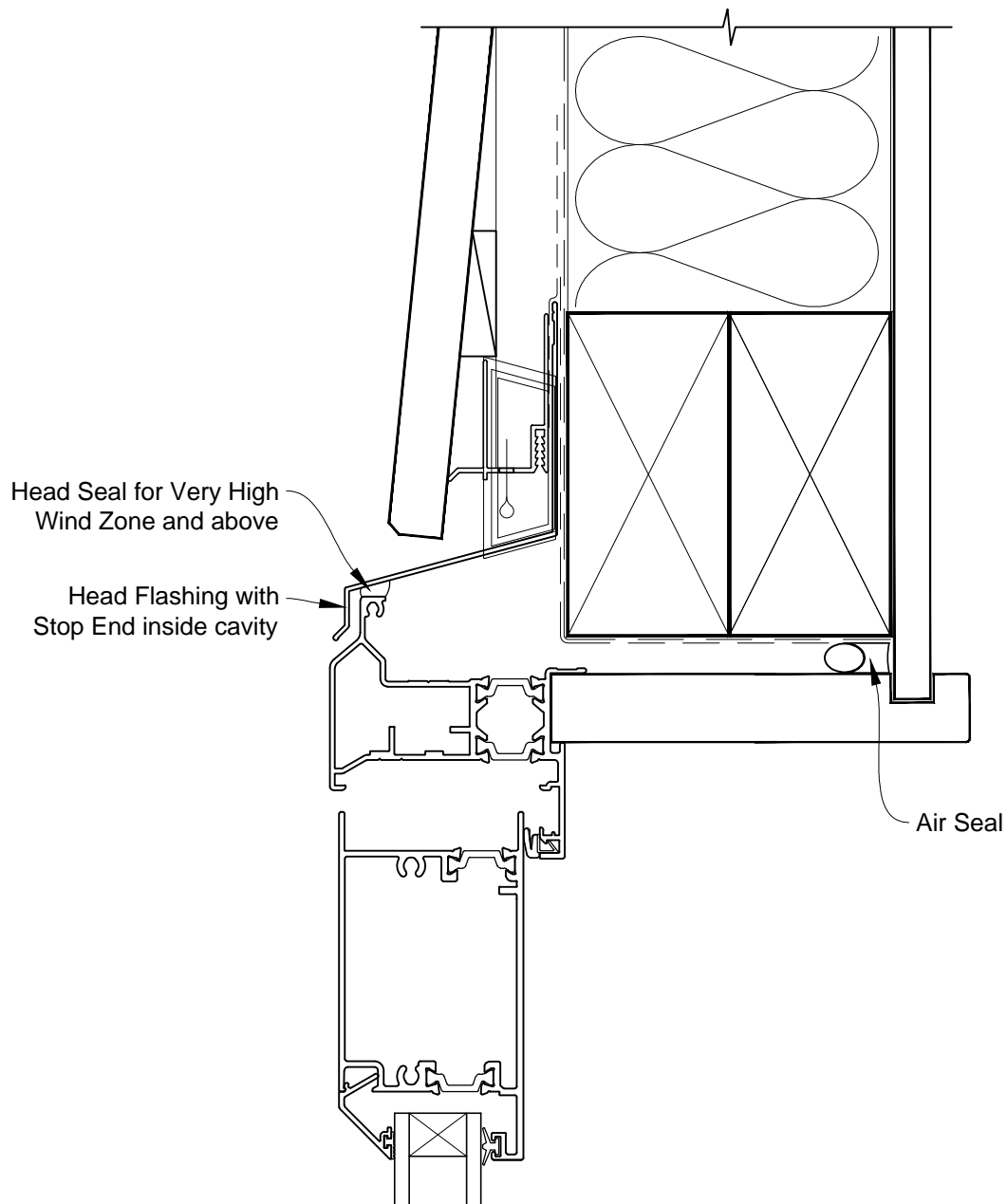


INSTALLATION DETAIL - VANTAGE RESIDENTIAL THERMAL HEART - HINGED DOOR OPEN OUT ON BEVELBACK WEATHERBOARD - CAVITY CONSTRUCTION

Date: 01.03.14

Scale: 1:2

CAD Ref.: VTHOBW-CH



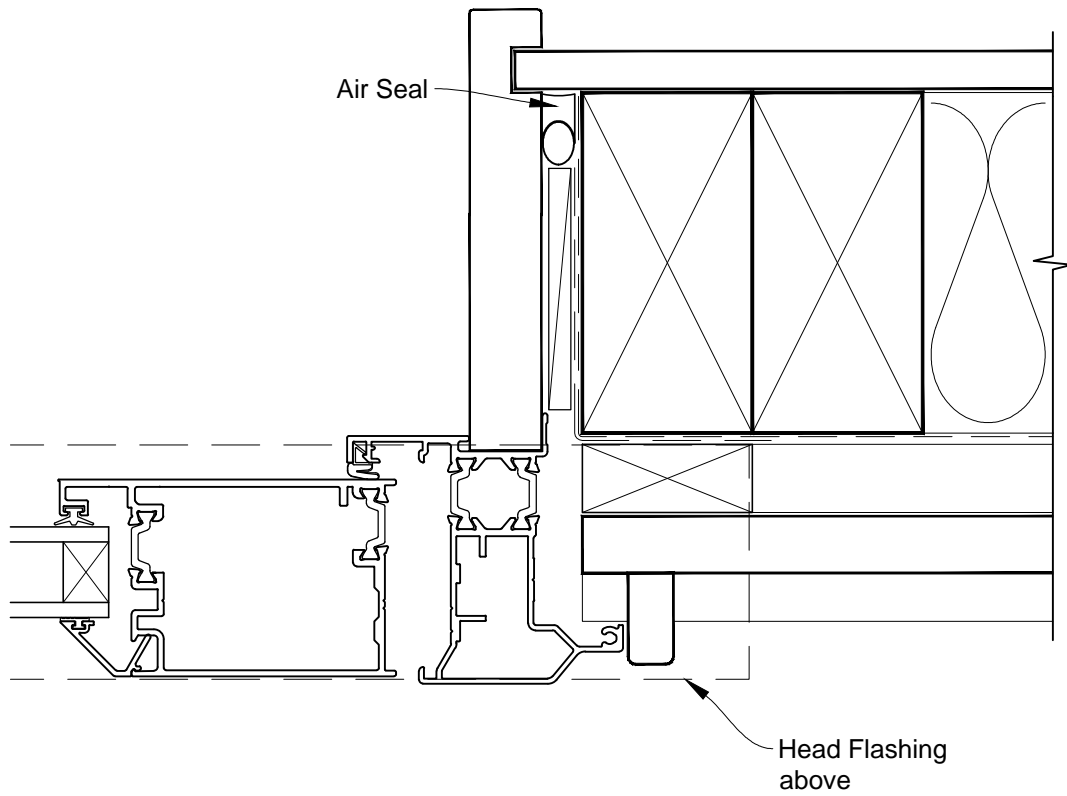


**INSTALLATION DETAIL - VANTAGE RESIDENTIAL THERMAL
HEART - HINGED DOOR OPEN OUT ON BEVELBACK
WEATHERBOARD - CAVITY CONSTRUCTION**

Date: 01.03.14

Scale: 1:2

CAD Ref.: VTHOBW-CJ



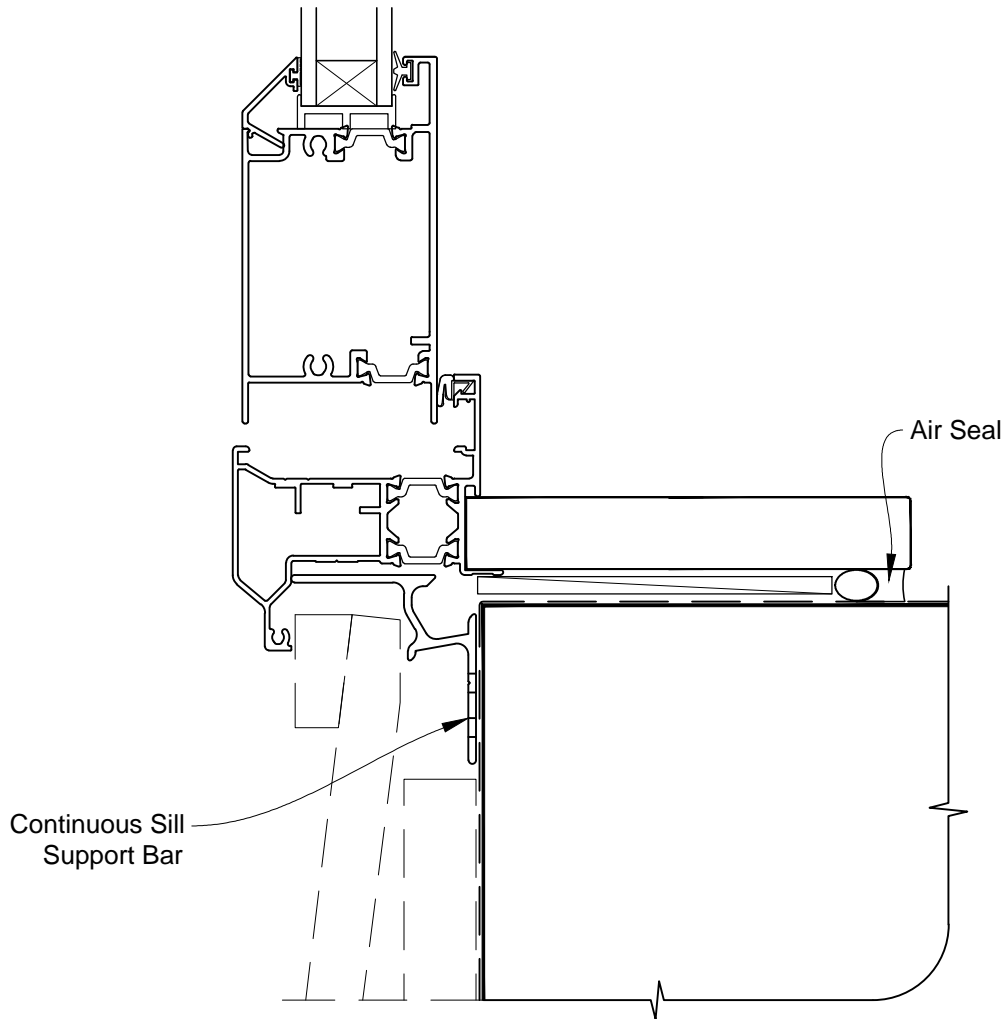


**INSTALLATION DETAIL - VANTAGE RESIDENTIAL THERMAL
HEART - HINGED DOOR OPEN OUT ON BEVELBACK
WEATHERBOARD - CAVITY CONSTRUCTION**

Date: 01.03.14

Scale: 1:2

CAD Ref.: VTHOBW-CS



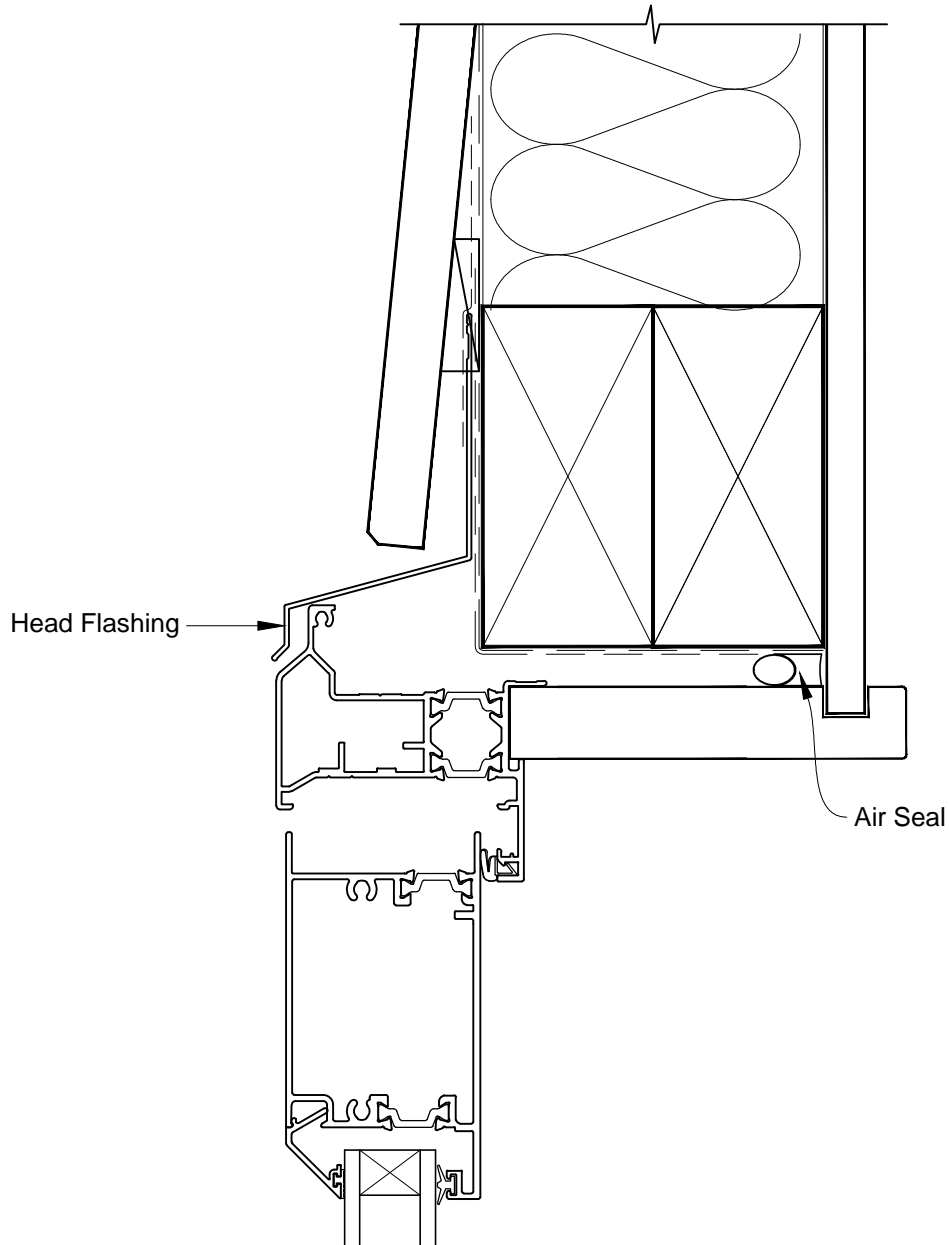


**INSTALLATION DETAIL - VANTAGE RESIDENTIAL THERMAL
HEART - HINGED DOOR OPEN OUT ON BEVELBACK
WEATHERBOARD - DIRECT FIXED CLADDING**

Date: 01.03.14

Scale: 1:2

CAD Ref.: VTHOBW-DH



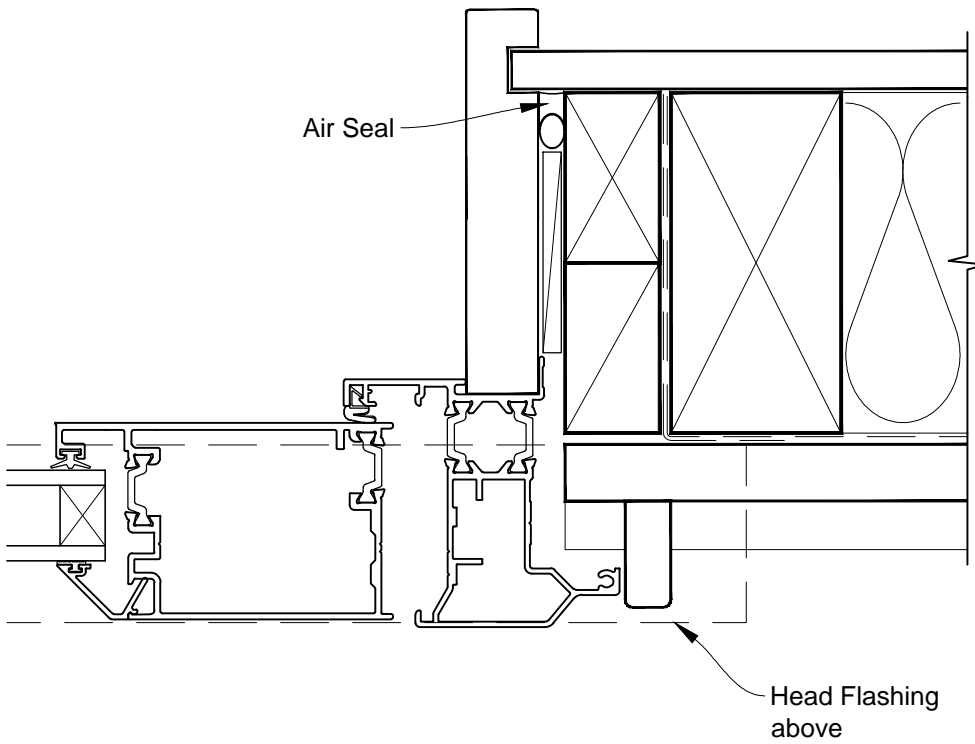


**INSTALLATION DETAIL - VANTAGE RESIDENTIAL THERMAL
HEART - HINGED DOOR OPEN OUT ON BEVELBACK
WEATHERBOARD - DIRECT FIXED CLADDING**

Date: 01.03.14

Scale: 1:2

CAD Ref.: VTHOBW-DJ





INSTALLATION DETAIL - VANTAGE RESIDENTIAL THERMAL HEART - HINGED DOOR OPEN OUT ON BEVELBACK WEATHERBOARD - DIRECT FIXED CLADDING

Date: 01.03.14

Scale: 1:2

CAD Ref.: VTHOBW-DS

