

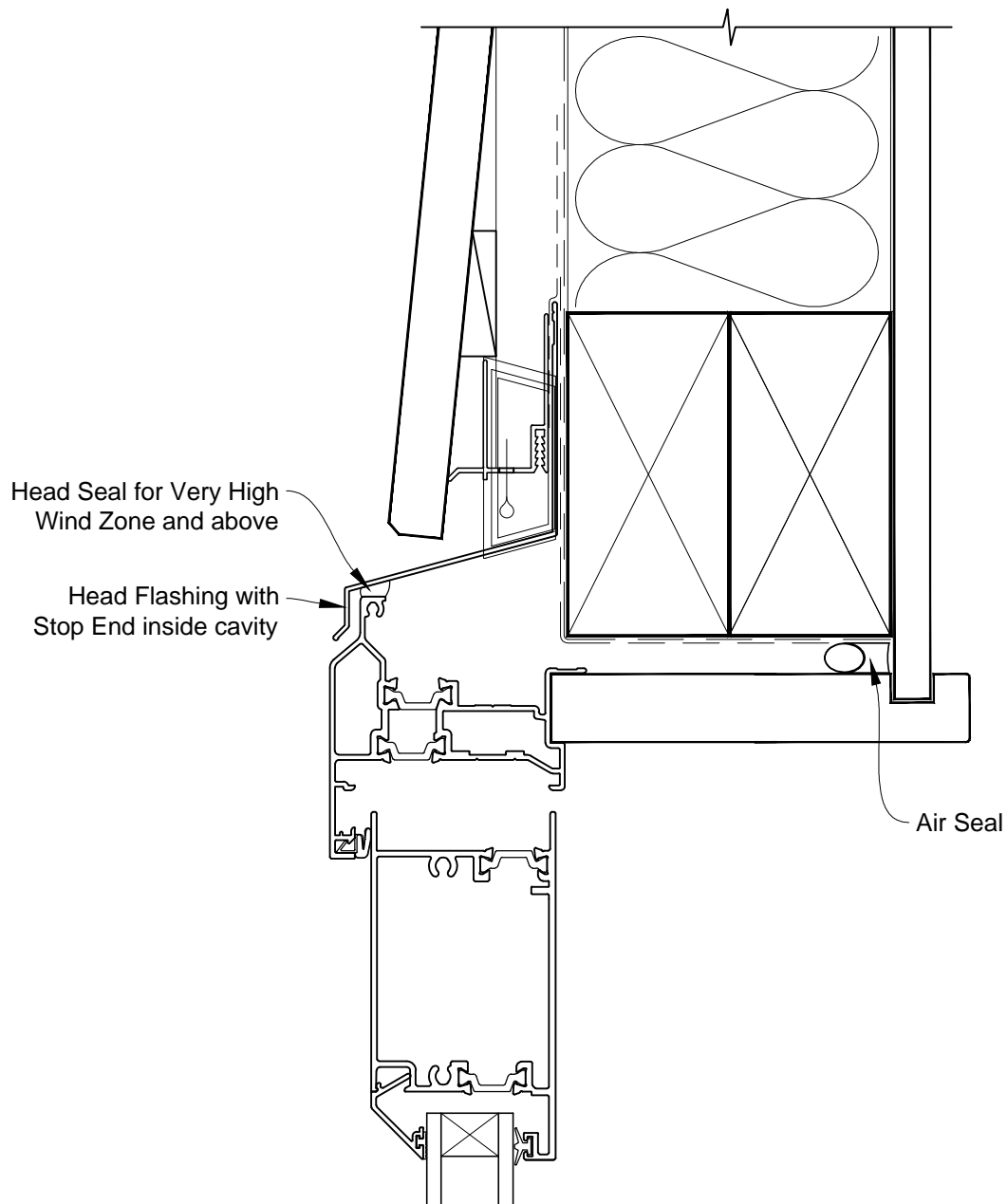


INSTALLATION DETAIL - VANTAGE RESIDENTIAL THERMAL HEART - HINGED DOOR OPEN IN ON BEVELBACK WEATHERBOARD - CAVITY CONSTRUCTION

Date: 01.03.14

Scale: 1:2

CAD Ref.: VTHIBW-CH



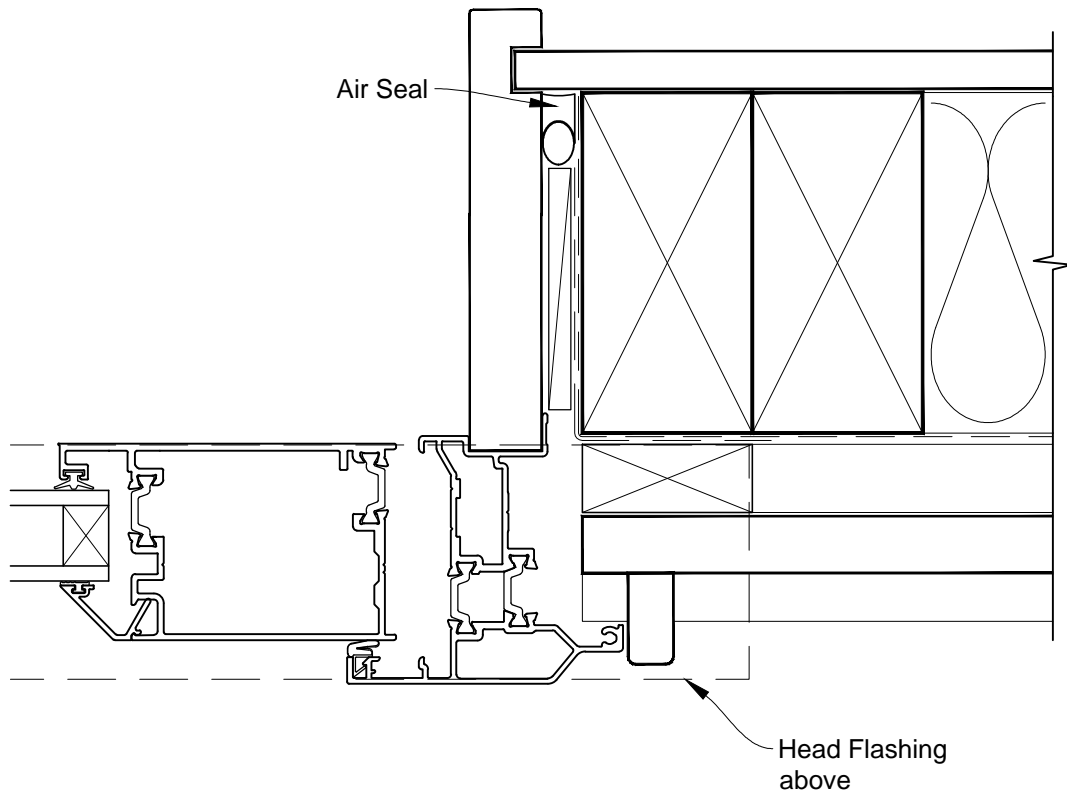


**INSTALLATION DETAIL - VANTAGE RESIDENTIAL THERMAL
HEART - HINGED DOOR OPEN IN ON BEVELBACK
WEATHERBOARD - CAVITY CONSTRUCTION**

Date: 01.03.14

Scale: 1:2

CAD Ref.: VTHIBW-CJ



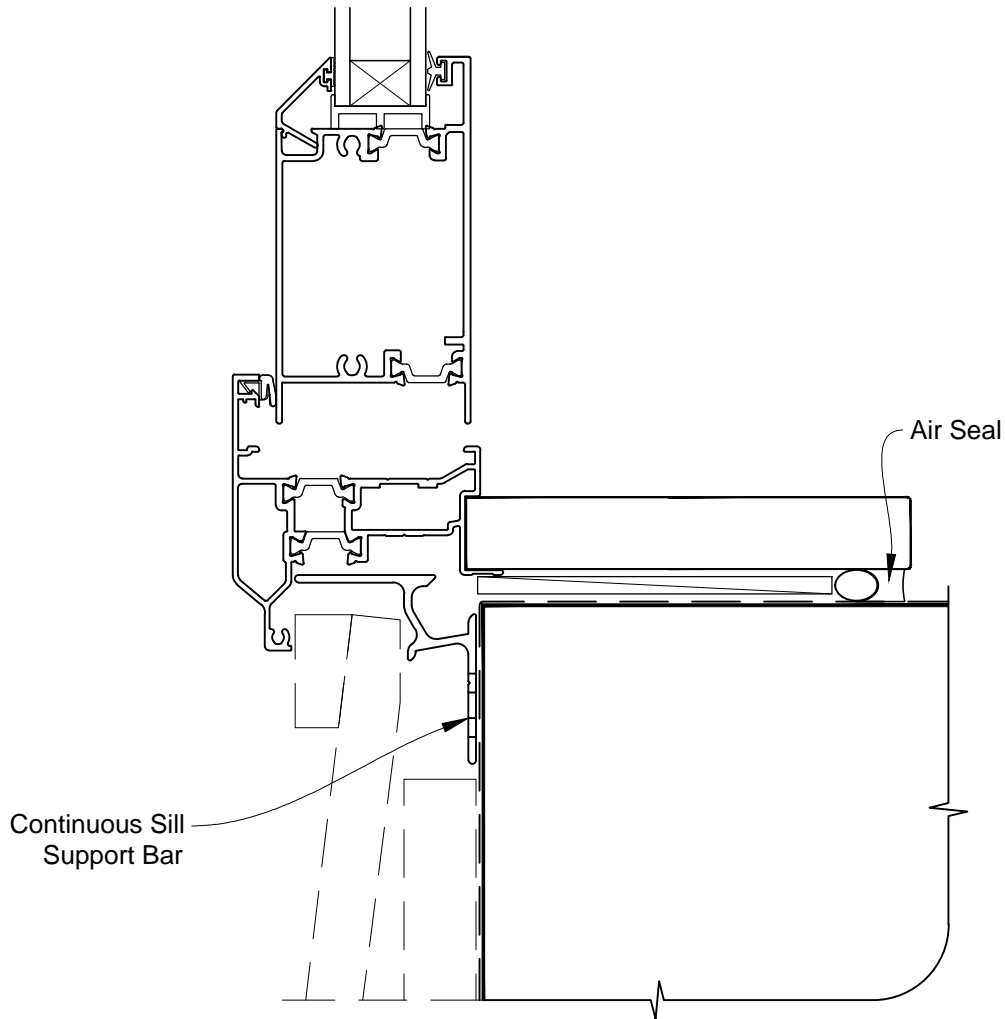


**INSTALLATION DETAIL - VANTAGE RESIDENTIAL THERMAL
HEART - HINGED DOOR OPEN IN ON BEVELBACK
WEATHERBOARD - CAVITY CONSTRUCTION**

Date: 01.03.14

Scale: 1:2

CAD Ref.: VTHIBW-CS



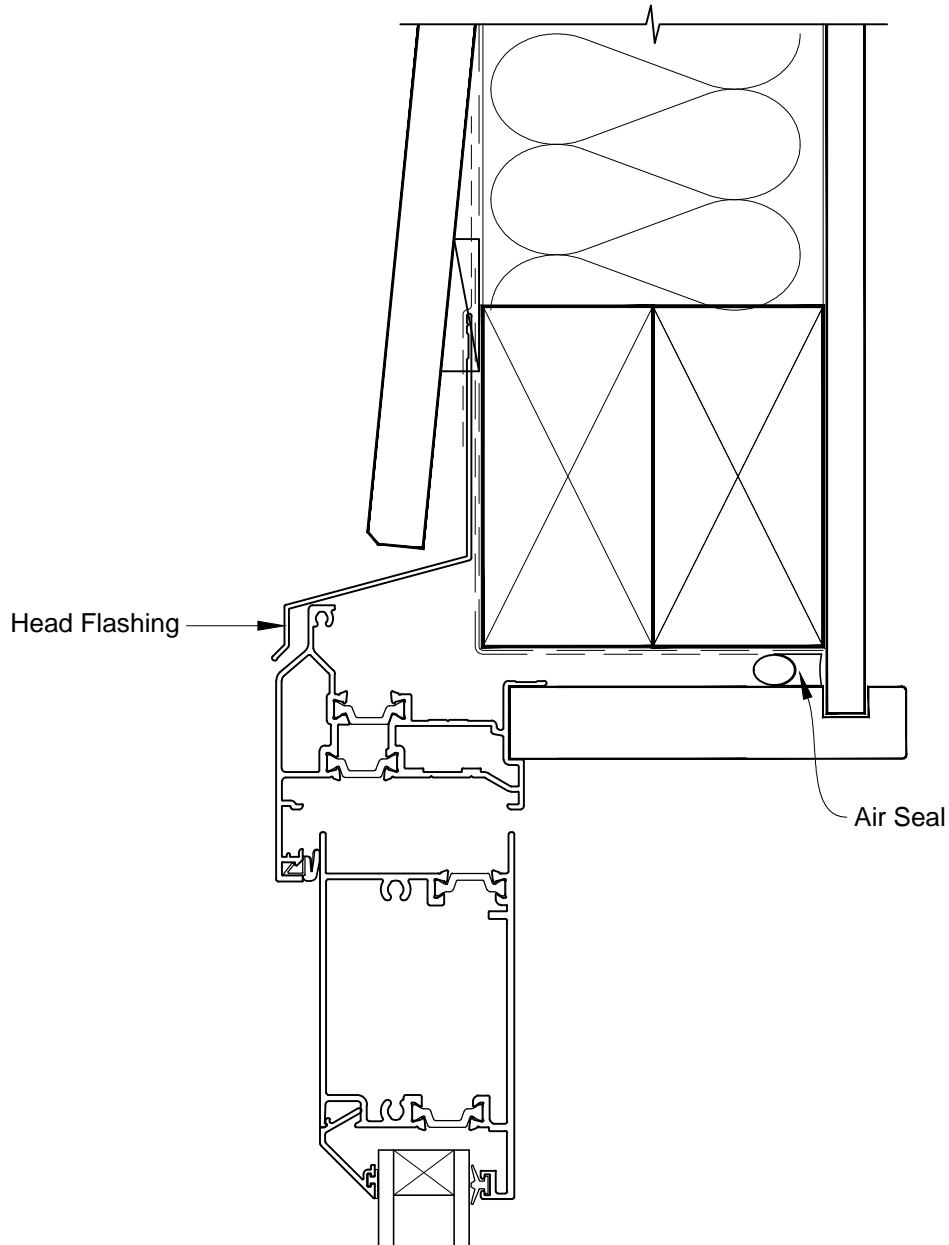


**INSTALLATION DETAIL - VANTAGE RESIDENTIAL THERMAL
HEART - HINGED DOOR OPEN IN ON BEVELBACK
WEATHERBOARD - DIRECT FIXED CLADDING**

Date: 01.03.14

Scale: 1:2

CAD Ref.: VTHIBW-DH



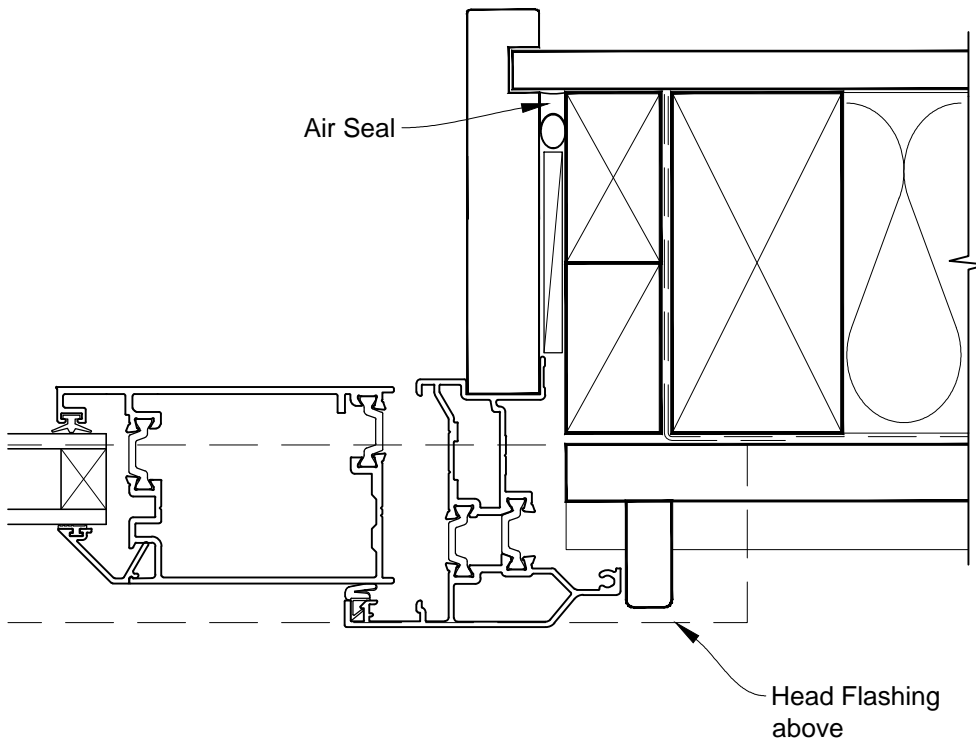


**INSTALLATION DETAIL - VANTAGE RESIDENTIAL THERMAL
HEART - HINGED DOOR OPEN IN ON BEVELBACK
WEATHERBOARD - DIRECT FIXED CLADDING**

Date: 01.03.14

Scale: 1:2

CAD Ref.: VTHIBW-DJ





INSTALLATION DETAIL - VANTAGE RESIDENTIAL THERMAL HEART - HINGED DOOR OPEN IN ON BEVELBACK WEATHERBOARD - DIRECT FIXED CLADDING

Date: 01.03.14

Scale: 1:2

CAD Ref.: VTHIBW-DS

