

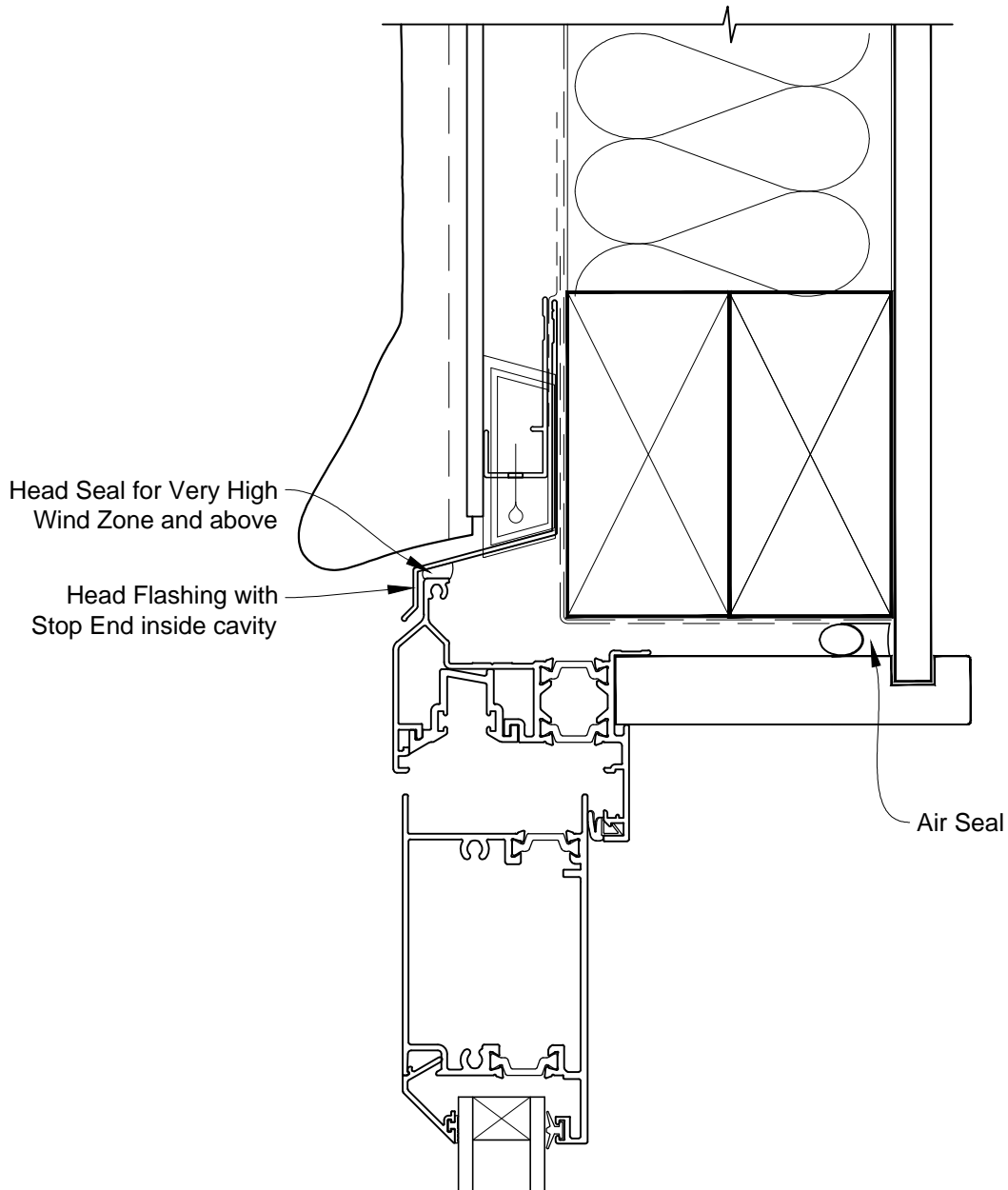


INSTALLATION DETAIL - VANTAGE RESIDENTIAL THERMAL HEART - BIFOLD DOOR OPEN OUT ON STUCCO CAVITY CONSTRUCTION

Date: 01.03.14

Scale: 1:2

CAD Ref.: VTBDST-CH



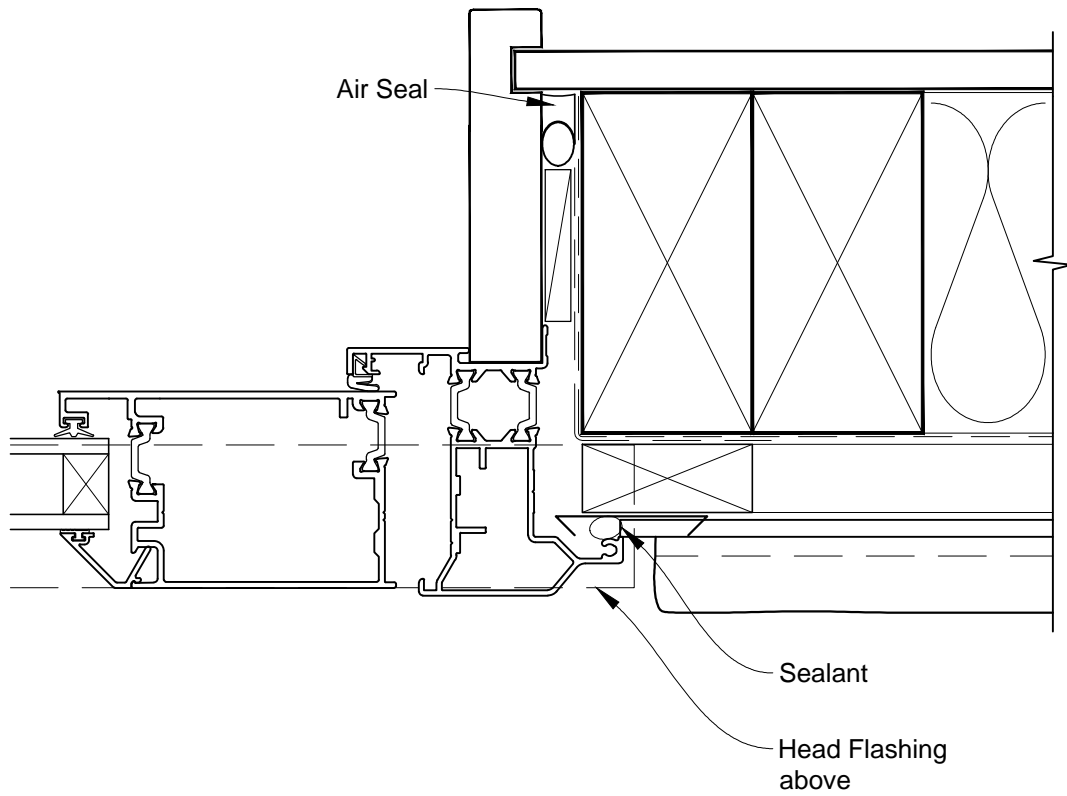


INSTALLATION DETAIL - VANTAGE RESIDENTIAL THERMAL HEART - BIFOLD DOOR OPEN OUT ON STUCCO CAVITY CONSTRUCTION

Date: 01.03.14

Scale: 1:2

CAD Ref.: VTBDST-CJ





INSTALLATION DETAIL - VANTAGE RESIDENTIAL THERMAL HEART - BIFOLD DOOR OPEN OUT ON STUCCO CAVITY CONSTRUCTION

Date: 01.03.14

Scale: 1:2

CAD Ref.: VTBDST-CS

